



US00D681143S

(12) **United States Design Patent**  
**Nicolette et al.**

(10) **Patent No.:** **US D681,143 S**

(45) **Date of Patent:** **\*\* Apr. 30, 2013**

(54) **GOLF CLUB HEAD**

(71) Applicant: **Karsten Manufacturing Corporation,**  
Phoenix, AZ (US)

(72) Inventors: **Michael R. Nicolette,** Scottsdale, AZ  
(US); **Xiaojian Chen,** Phoenix, AZ (US)

(73) Assignee: **Karsten Manufacturing Corporation,**  
Phoenix, AZ (US)

(\*\*) Term: **14 Years**

(21) Appl. No.: **29/440,198**

(22) Filed: **Dec. 19, 2012**

(51) **LOC (9) Cl.** ..... **21-02**

(52) **U.S. Cl.**

USPC ..... **D21/749**

(58) **Field of Classification Search** ..... D21/747-751,  
D21/759; 473/324-331, 350

See application file for complete search history.

(56)

**References Cited**

**U.S. PATENT DOCUMENTS**

D55,278 S	5/1920	Kraeuter	
D234,608 S	3/1975	Raymont	
D240,841 S	8/1976	Solheim	
D256,264 S	8/1980	Solheim	
4,355,808 A	10/1982	Jernigan	
D276,644 S	12/1984	Solheim	
D300,547 S *	4/1989	Kobayashi	D21/748
5,014,993 A	5/1991	Antonious	
D318,512 S	7/1991	Piotrowski	
5,048,834 A	9/1991	Gorman	
D330,577 S	10/1992	Solheim	
D332,812 S	1/1993	Solheim	
D344,778 S	3/1994	Solheim	
D357,293 S	4/1995	Solheim	
D357,294 S	4/1995	Solheim	

D368,127 S	3/1996	Solheim
D379,393 S	5/1997	Kubica
D383,819 S	9/1997	Takahashi
5,665,013 A	9/1997	Kobayashi
5,676,605 A	10/1997	Kobayashi
D386,550 S	11/1997	Wright
D386,551 S	11/1997	Solheim

(Continued)

**OTHER PUBLICATIONS**

Michael R. Nicolette, et al., "Club Head Sets With Varying Characteristics and Related Methods," U.S. Appl. No. 12/791,738, filed Jun. 1, 2010.

(Continued)

*Primary Examiner* — Mitchell Siegel

(57)

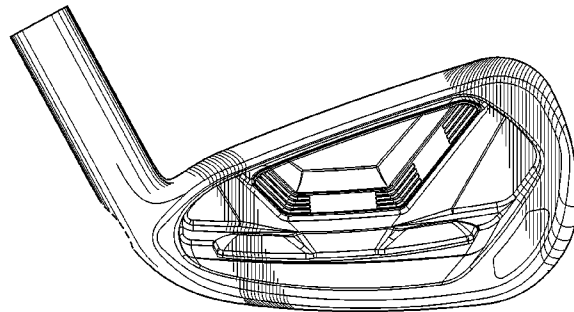
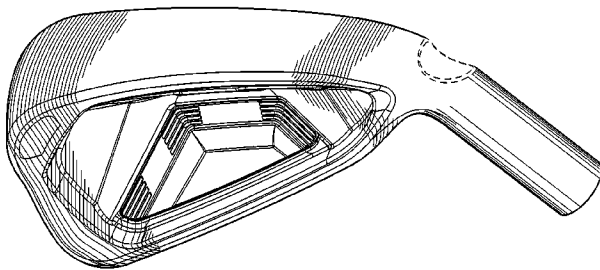
**CLAIM**

The ornamental design for a golf club head, as shown and described.

**DESCRIPTION**

FIG. 1 is a top perspective view of a golf club head; FIG. 2 is a bottom perspective view of the golf club head of FIG. 1; FIG. 3 is a front elevational view of the golf club head of FIG. 1; FIG. 4 is a rear elevational view of the golf club head of FIG. 1; FIG. 5 is a top view of the golf club head of FIG. 1; FIG. 6 is a bottom view of the golf club head of FIG. 1; FIG. 7 is a left side view of the golf club head of FIG. 1; and, FIG. 8 is a right side view of the golf club head of FIG. 1. The broken lines shown in one or more of the figures are for illustrative purposes only and form no part of the claimed design.

**1 Claim, 4 Drawing Sheets**



# US D681,143 S

## U.S. PATENT DOCUMENTS

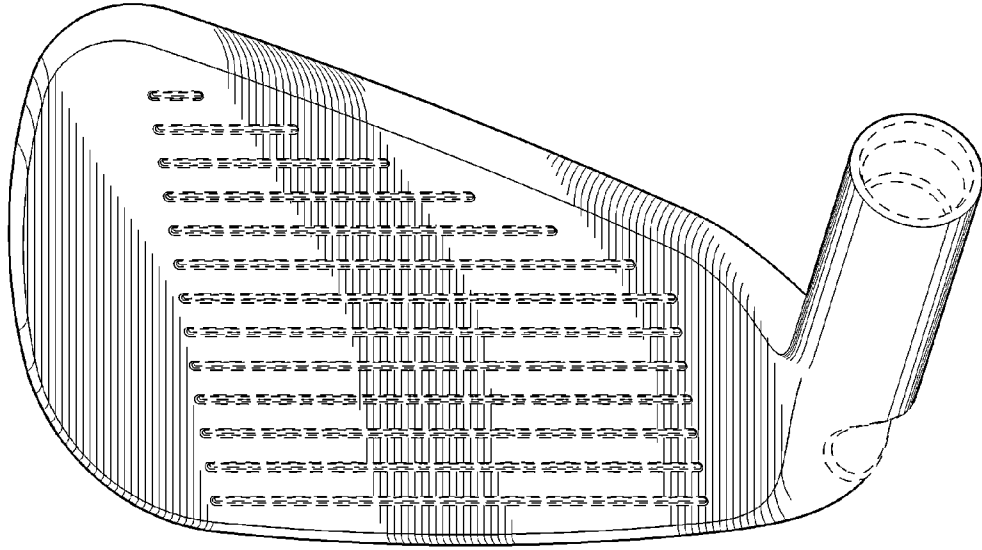
D387,405 S	12/1997	Solheim		D554,218 S	10/2007	Ruggiero
D388,486 S	12/1997	Mahaffey		D559,931 S	1/2008	Roach
D390,617 S	2/1998	Solheim		D561,855 S	2/2008	Schweigert
D392,356 S	3/1998	Burrows		D562,925 S	2/2008	Schweigert
D398,687 S	9/1998	Miyajima		D570,435 S	6/2008	Sanchez
D411,272 S	6/1999	Burrow		D570,935 S	6/2008	Nicolette
5,921,869 A	7/1999	Blough		D570,936 S	6/2008	Schweigert
D418,184 S	12/1999	Kubica		D571,422 S	6/2008	Schweigert
D421,784 S	3/2000	Kubica		D571,881 S	6/2008	Nicolette
D422,043 S	3/2000	Kubica		D572,326 S	7/2008	Schweigert
D428,635 S	* 7/2000	Nagai et al. ....	D21/759	D572,329 S	7/2008	Nicolette
D429,298 S	8/2000	Butler		D573,219 S	7/2008	Schweigert
D429,299 S	8/2000	Kubica		7,396,299 B2	7/2008	Nicolette
D435,278 S	* 12/2000	Reed et al. ....	D21/747	D577,783 S	9/2008	Schweigert
D437,902 S	2/2001	Persinger		D578,590 S	10/2008	Schweigert
D437,906 S	2/2001	Gilbert		D579,996 S	* 11/2008	Gilbert et al. ....
D442,659 S	5/2001	Kubica		D581,000 S	11/2008	Nicolette
D443,008 S	5/2001	Kubica		D596,256 S	7/2009	Schweigert
D444,195 S	6/2001	Wahl		D596,257 S	7/2009	Jertson
D458,328 S	6/2002	Solheim		D597,158 S	7/2009	Schweigert
D465,253 S	11/2002	Best		D601,215 S	* 9/2009	Diaz et al. ....
D473,605 S	4/2003	Petersen		D601,216 S	9/2009	Jertson
D475,108 S	5/2003	Madore		D601,651 S	* 10/2009	Jorgensen et al. ....
6,695,714 B1	2/2004	Bliss		D602,103 S	* 10/2009	Jorgensen et al. ....
D492,376 S	6/2004	Nicolette		D604,783 S	11/2009	Nicolette
D494,240 S	8/2004	Schweigert		D607,073 S	12/2009	Jertson
D494,648 S	8/2004	Schweigert		D621,893 S	8/2010	Nicolette
D500,350 S	12/2004	Schweigert		D621,894 S	8/2010	Schweigert
D500,351 S	12/2004	Schweigert		D621,895 S	8/2010	Schweigert
D502,237 S	2/2005	Schweigert		D627,410 S	11/2010	Nicolette
D502,975 S	3/2005	Schweigert		D631,110 S	* 1/2011	Kim et al. ....
D503,204 S	3/2005	Nicolette		D635,627 S	4/2011	Nicolette
D504,925 S	5/2005	Schweigert		D641,446 S	* 7/2011	Engel et al. ....
D505,171 S	5/2005	Schweigert		D643,491 S	8/2011	Stokke
D507,614 S	7/2005	Schweigert		D643,896 S	8/2011	Jertson
D692,344	7/2005	Gilbert		D647,582 S	10/2011	Nicolette
D508,099 S	8/2005	Schweigert		D672,417 S	12/2012	Jertson
D514,183 S	1/2006	Schweigert		2003/0119602 A1	6/2003	Kennedy, III
D516,152 S	2/2006	Madore		2005/0009632 A1	1/2005	Schweigert
D517,625 S	3/2006	Sanchez		2005/0096156 A1	5/2005	Chen
D519,179 S	4/2006	Roberts		2006/0258480 A1	11/2006	Hou
D523,501 S	6/2006	Nicolette		2007/0117653 A1	5/2007	Yoneyama
D530,759 S	10/2006	Nicolette		2007/0225084 A1	9/2007	Schweigert
D530,760 S	10/2006	Schweigert		2008/0300065 A1	12/2008	Schweigert
7,125,343 B2	10/2006	Imamoto		2009/0029790 A1	1/2009	Nicolette
D532,849 S	11/2006	Nicolette		2009/0029791 A1	1/2009	Solheim
D534,228 S	12/2006	Nicolette		2009/0118033 A1	5/2009	Nakamura
D534,595 S	1/2007	Hasebe		2009/0149277 A1	6/2009	Deng
D534,597 S	1/2007	Nicolette		2010/0178999 A1	7/2010	Nicolette
D536,759 S	2/2007	Schweigert		2010/0279796 A1	11/2010	Nicolette
D537,494 S	2/2007	Jertson				
D538,366 S	3/2007	Nicolette				
D539,862 S	4/2007	Nunez				
D539,864 S	4/2007	Nicolette				
D540,898 S	4/2007	Solheim				
D541,360 S	4/2007	Schweigert				
7,207,900 B2	4/2007	Nicolette				
D544,056 S	6/2007	Nicolette				
D554,212 S	10/2007	Nunez				

## OTHER PUBLICATIONS

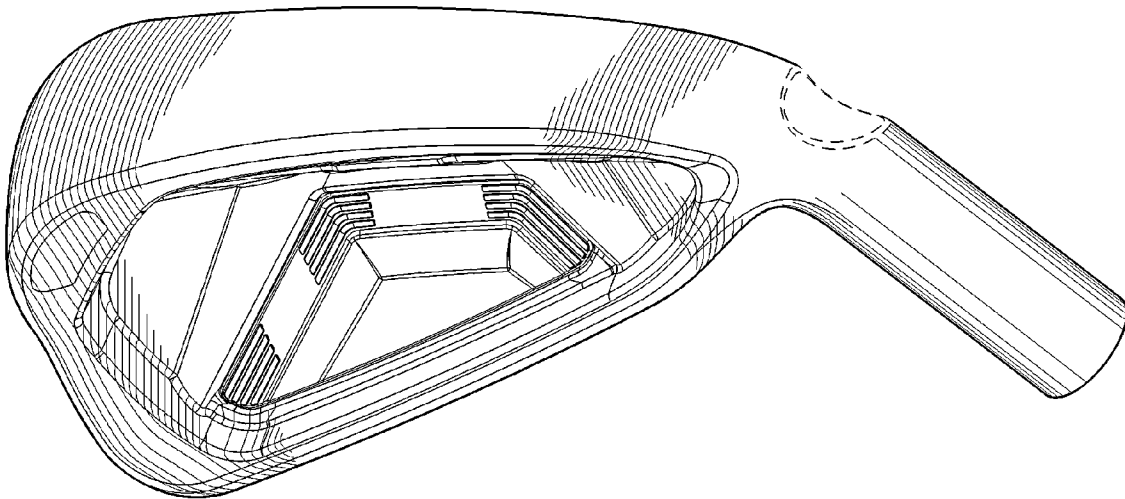
Michael R. Nicolette, et al., "Club Head Sets With Varying Characteristics and Related Methods," U.S. Appl. No. 12/791,734, filed Jun. 1, 2010.

Michael R. Nicolette, et al., "Golf Club Head," U.S. Appl. No. 29/440,192, filed Dec. 19, 2012.

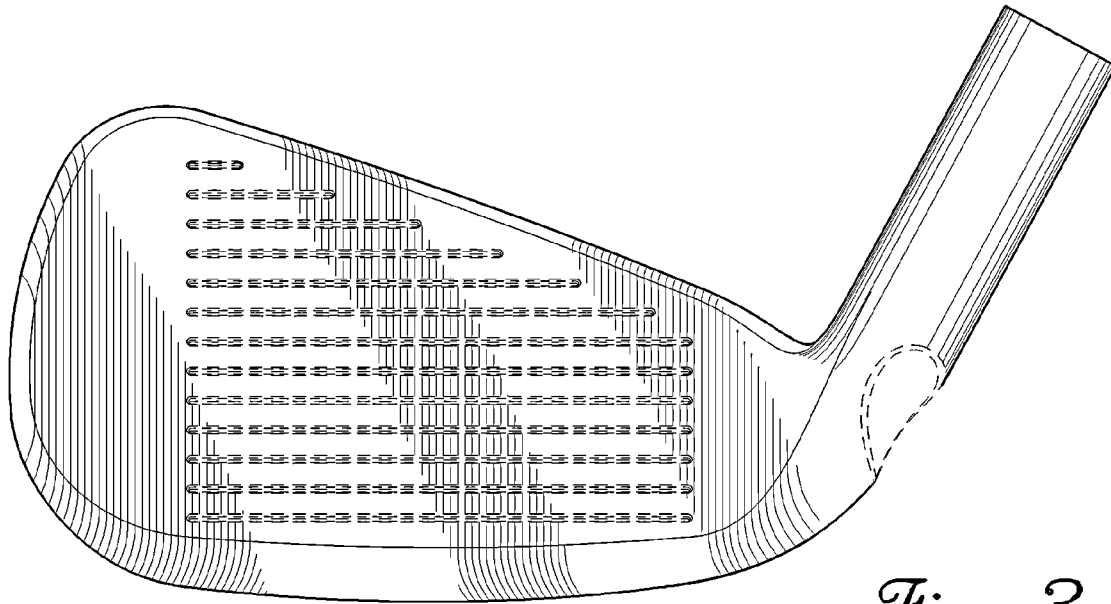
\* cited by examiner



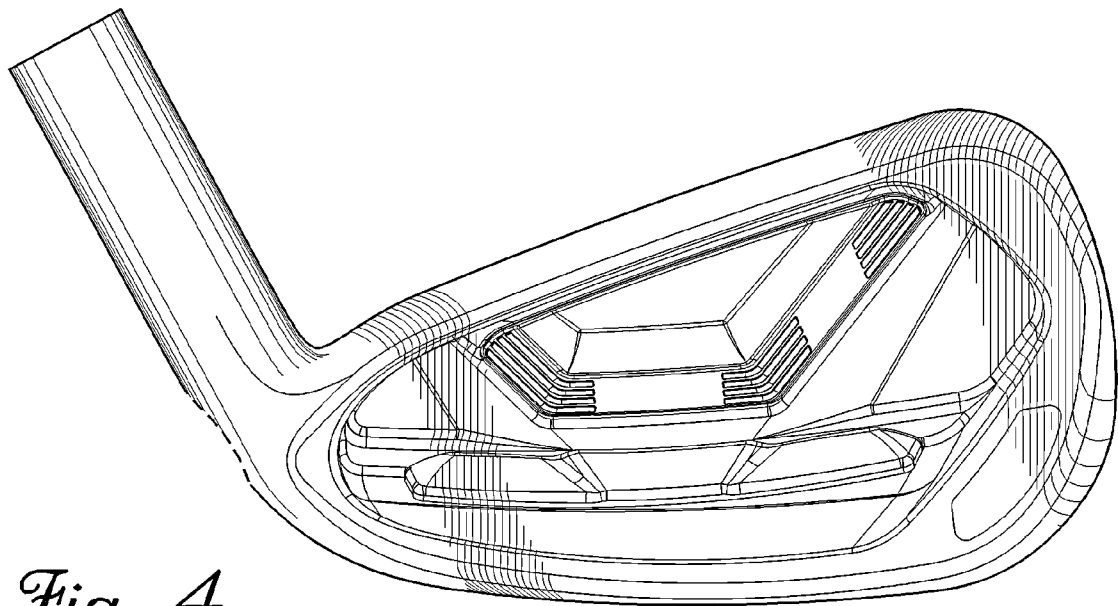
*Fig. 1*



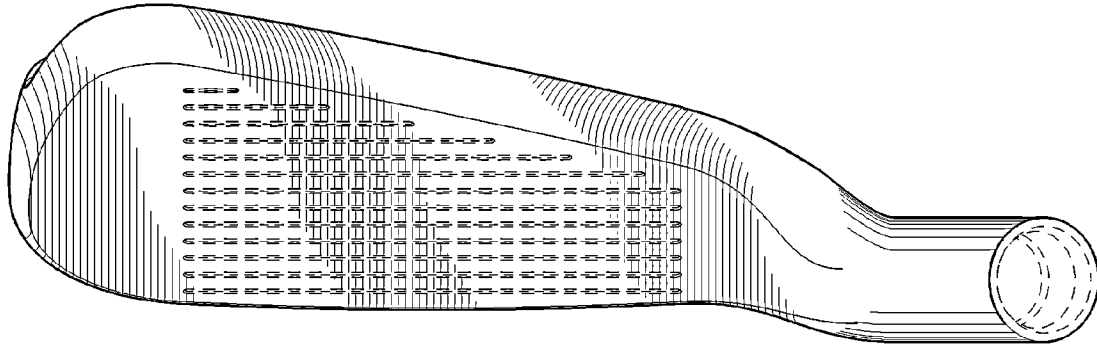
*Fig. 2*



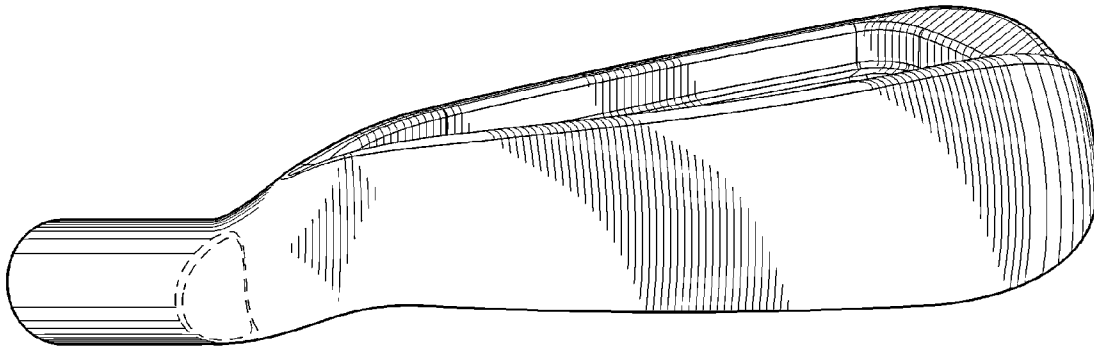
*Fig. 3*



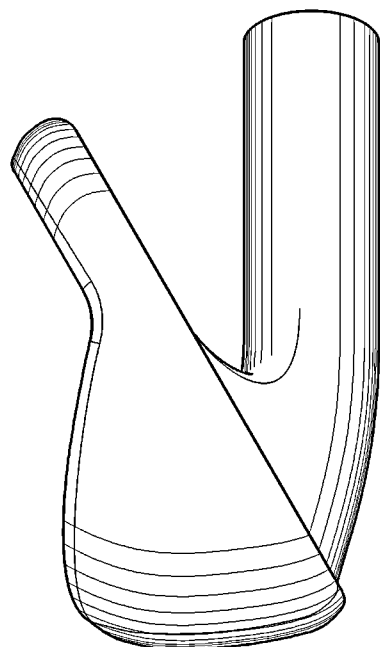
*Fig. 4*



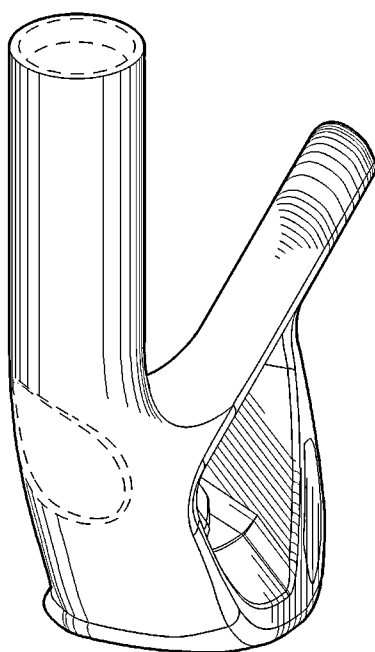
*Fig. 5*



*Fig. 6*



*Fig. 7*



*Fig. 8*