



US007717801B2

(12) **United States Patent**
Franklin et al.

(10) **Patent No.:** **US 7,717,801 B2**
(45) **Date of Patent:** ***May 18, 2010**

(54) **PUTTER HEADS AND PUTTERS INCLUDING POLYMERIC MATERIAL AS PART OF THE BALL STRIKING FACE**

5,772,527 A * 6/1998 Liu 473/324
5,807,190 A * 9/1998 Krumme et al. 473/342
5,944,619 A * 8/1999 Cameron 473/332

(75) Inventors: **David N. Franklin**, Fort Worth, TX (US); **John T. Stites**, Weatherford, TX (US)

(Continued)

(73) Assignee: **Nike, Inc.**, Beaverton, OR (US)

FOREIGN PATENT DOCUMENTS

(*) Notice: Subject to any disclaimer, the term of this patent is extended or adjusted under 35 U.S.C. 154(b) by 145 days.

GB 2388792 A 11/2003

This patent is subject to a terminal disclaimer.

OTHER PUBLICATIONS

(21) Appl. No.: **12/123,341**

Office Action issued Sep. 4, 2009 in U.S. Appl. No. 12/259,541, also owned by assignee Nike Inc.

(22) Filed: **May 19, 2008**

(Continued)

(65) **Prior Publication Data**

US 2009/0286620 A1 Nov. 19, 2009

Primary Examiner—Sebastiano Passaniti
(74) *Attorney, Agent, or Firm*—Banner & Witcoff, Ltd.

(51) **Int. Cl.**
A63B 69/36 (2006.01)
A63B 53/04 (2006.01)

(57) **ABSTRACT**

(52) **U.S. Cl.** **473/251**; 473/329; 473/331; 473/332; 473/340

Putters include a putter body having a ball striking face member made of a material having a first hardness characteristic. A cavity is defined in the putter body behind the ball striking face member, and plural openings are defined in the ball striking face member extending rearward with respect to the ball striking face member and into the cavity. A polymeric material at least partially fills the openings and the cavity, wherein the polymeric material has a second hardness characteristic that is softer than the first hardness characteristic. The ball striking face member and the polymeric material exposed in at least some of the openings provide a ball striking surface of the putter. The ball striking surface may include grooves or scorelines to affect the launch angle, spin, and/or roll of the ball during a putt. Methods for making such putter devices also are described.

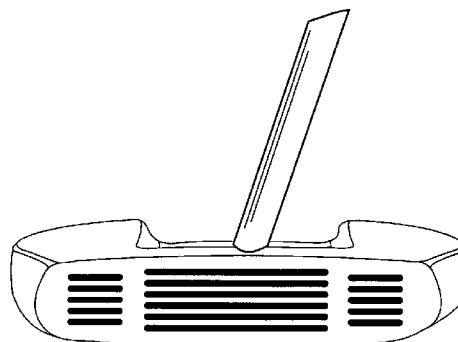
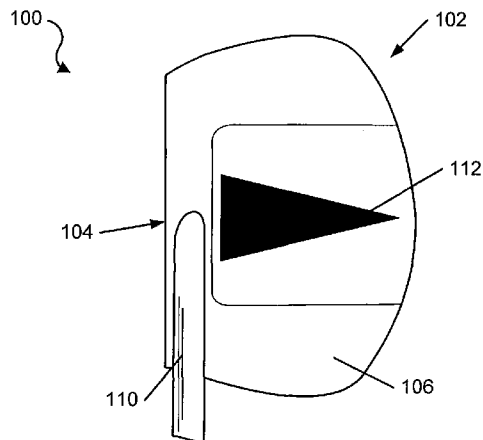
(58) **Field of Classification Search** 473/324–350, 473/238, 242, 251–255; D21/750, 751
See application file for complete search history.

(56) **References Cited**

U.S. PATENT DOCUMENTS

873,423 A * 12/1907 Govan 473/330
2,429,351 A * 10/1947 Fetterolf 473/329
4,679,792 A * 7/1987 Straza et al. 473/329
5,358,249 A * 10/1994 Mendralla 473/331
5,398,929 A * 3/1995 Kitaichi 473/329
5,497,993 A * 3/1996 Shan 473/329
5,542,675 A * 8/1996 Micciche et al. 473/329
5,620,381 A 4/1997 Spalding
5,766,093 A * 6/1998 Rohrer 473/329

32 Claims, 9 Drawing Sheets



U.S. PATENT DOCUMENTS

5,972,144	A *	10/1999	Hsu	156/154
6,093,116	A *	7/2000	Hettinger et al.	473/332
6,302,807	B1	10/2001	Rohrer	
6,334,818	B1 *	1/2002	Cameron et al.	473/332
6,431,997	B1 *	8/2002	Rohrer	473/324
6,699,140	B1 *	3/2004	Sun	473/252
6,921,343	B2 *	7/2005	Solheim	473/329
7,261,644	B2 *	8/2007	Burrows	473/340
7,278,926	B2	10/2007	Frame	
7,281,990	B2	10/2007	Hagood	
7,594,862	B2 *	9/2009	Gilbert	473/330
2004/0242342	A1	12/2004	Patten	
2005/0009623	A1 *	1/2005	Dickinson	473/329

2007/0243949	A1 *	10/2007	Solari	473/340
2009/0131197	A1 *	5/2009	Miyamichi	473/329

OTHER PUBLICATIONS

C-Groove—Development, Harold Swash Putting School of Excellence, (Aug. 26, 2008), http://www.haroldswashputting.co.uk/haroldswash_development.htm.

Rife Two Bar Hybrid Putter Review, Putter Zone Golf, (Mar. 7, 2008), <http://www.putterzone.com/2008/03/rife-twobar-hybrid-putter-review.html>.

International Search Report in corresponding PCT Application, International Application No. PCT/US2009/044331, mailed Sep. 10, 2009.

* cited by examiner

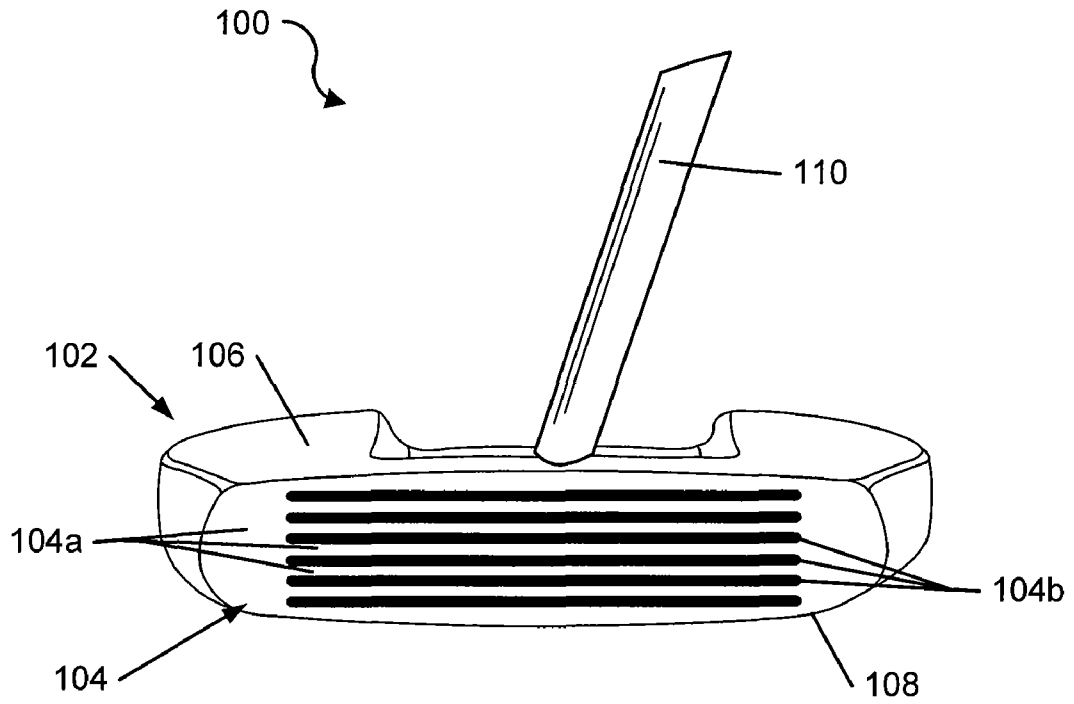


FIG. 1A

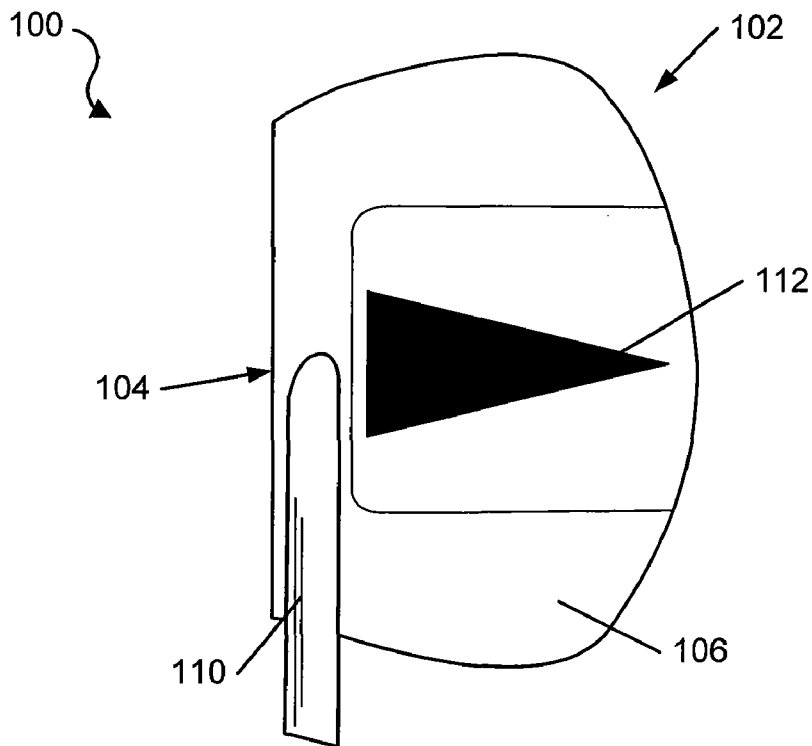


FIG. 1B

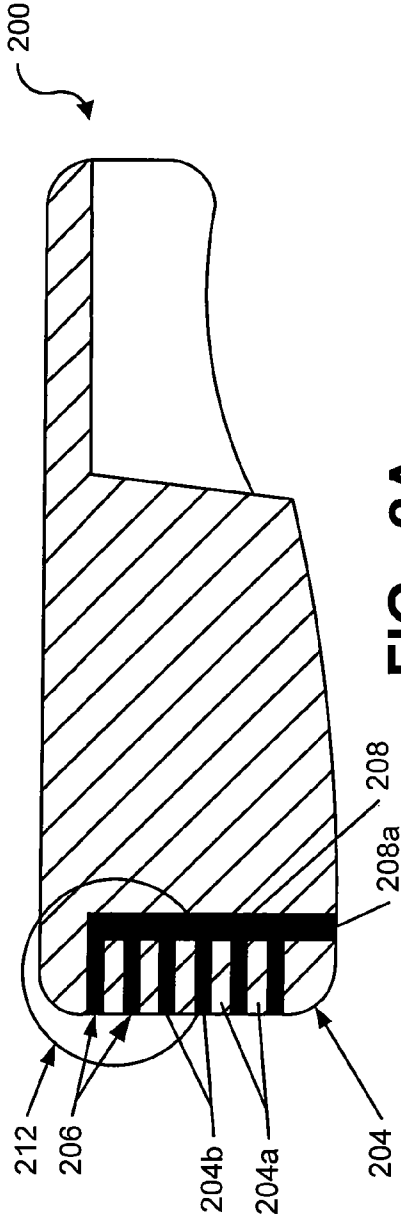


FIG. 2A

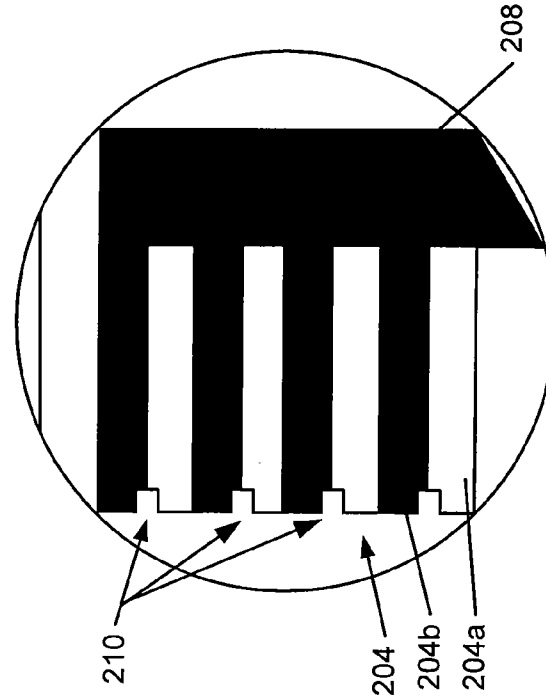


FIG. 2C

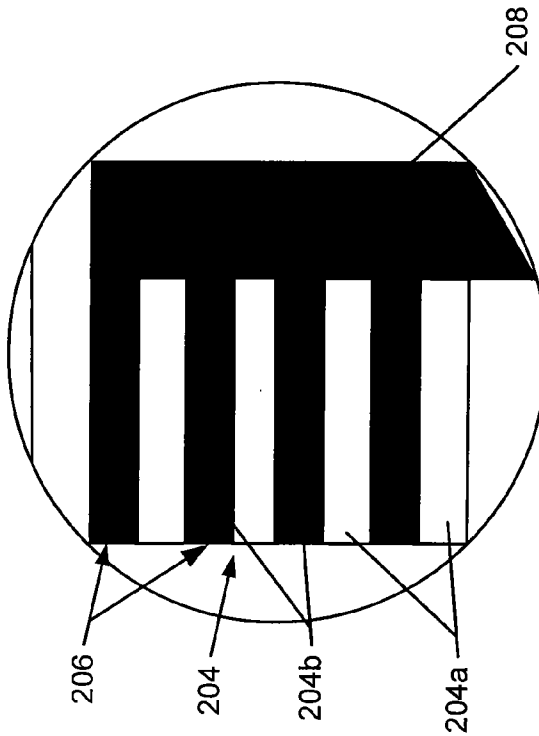


FIG. 2B

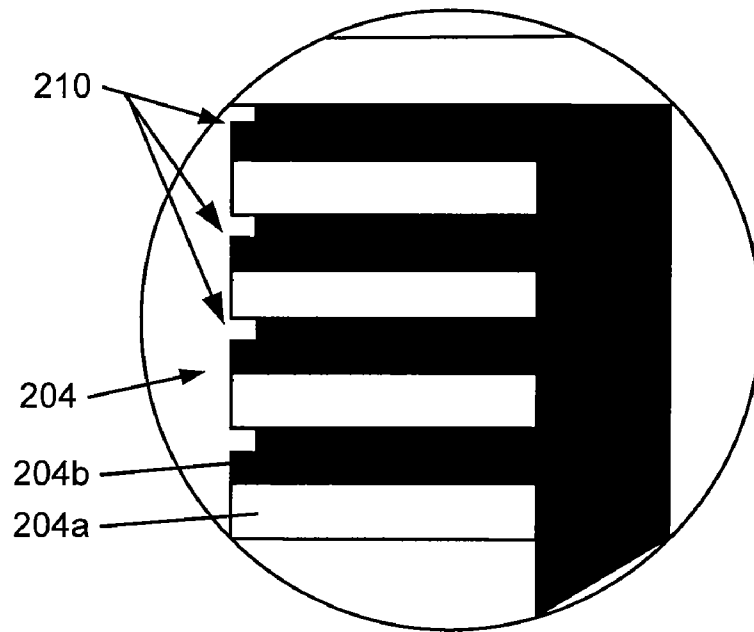


FIG. 3

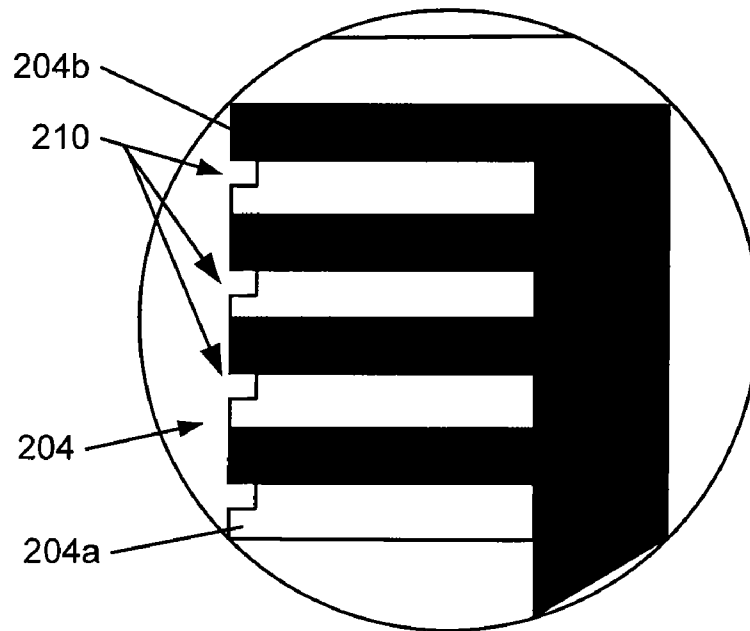


FIG. 4

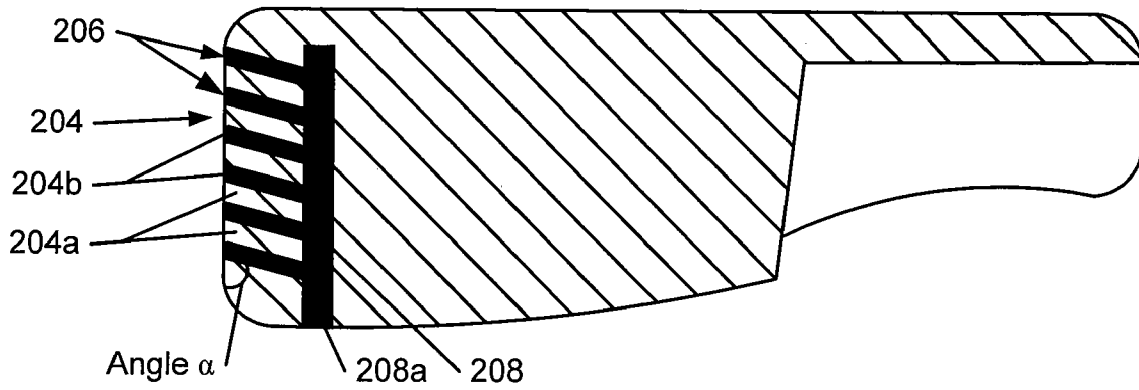


FIG. 5

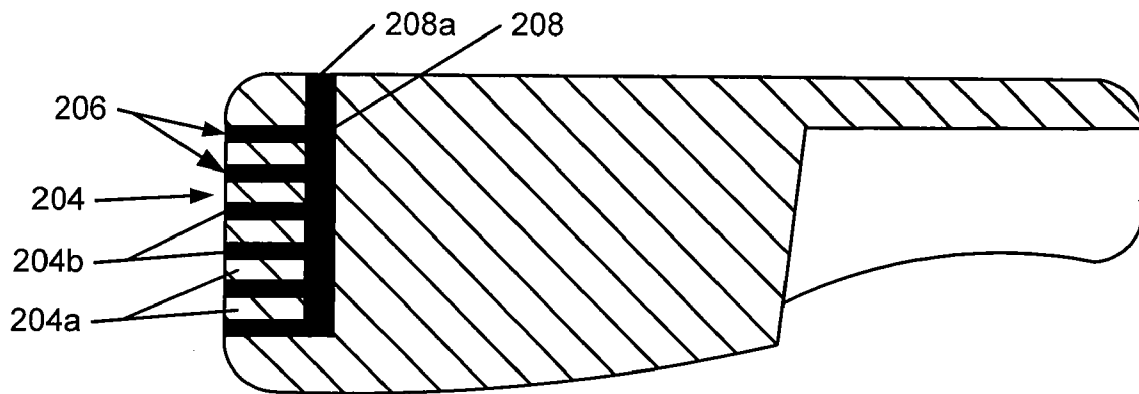


FIG. 6

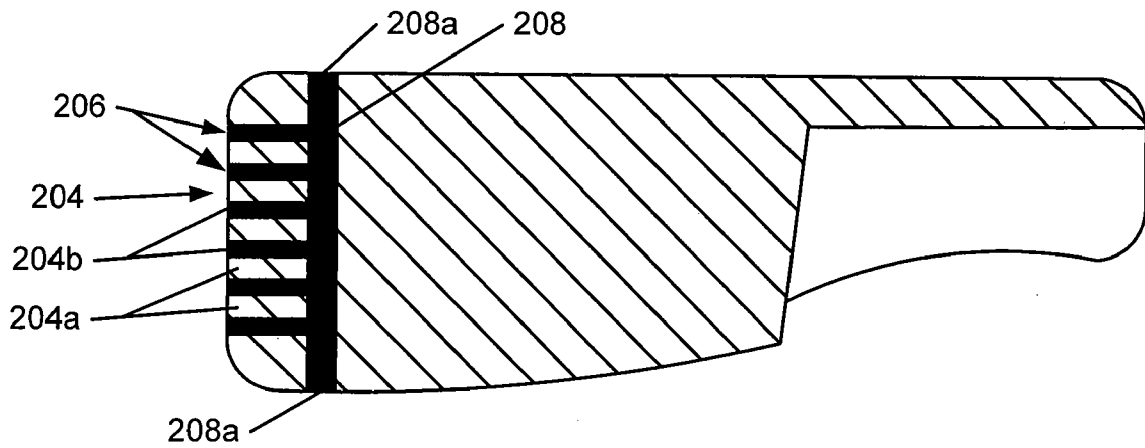


FIG. 7

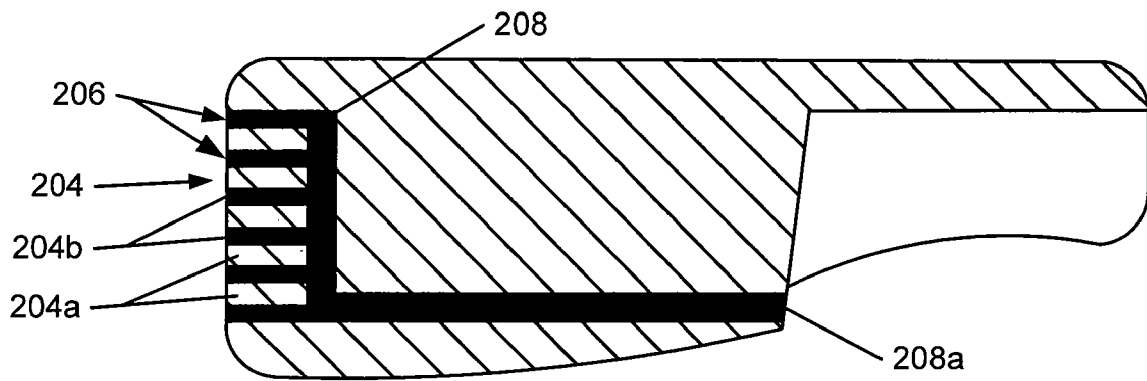


FIG. 8

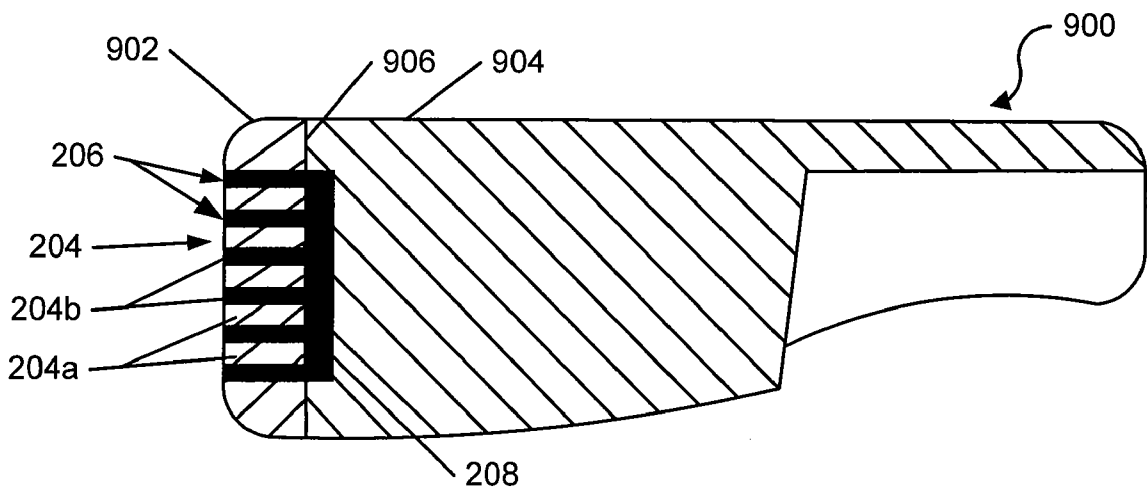


FIG. 9

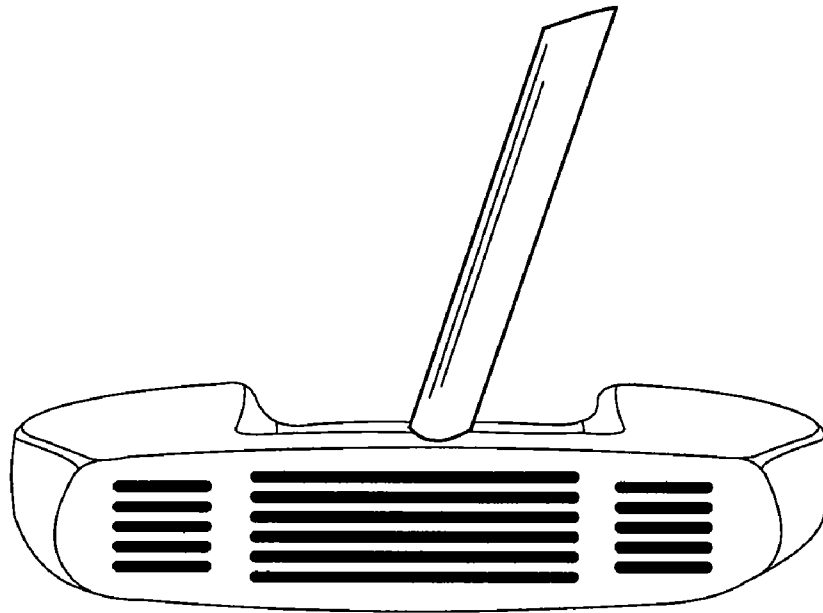


FIG. 10

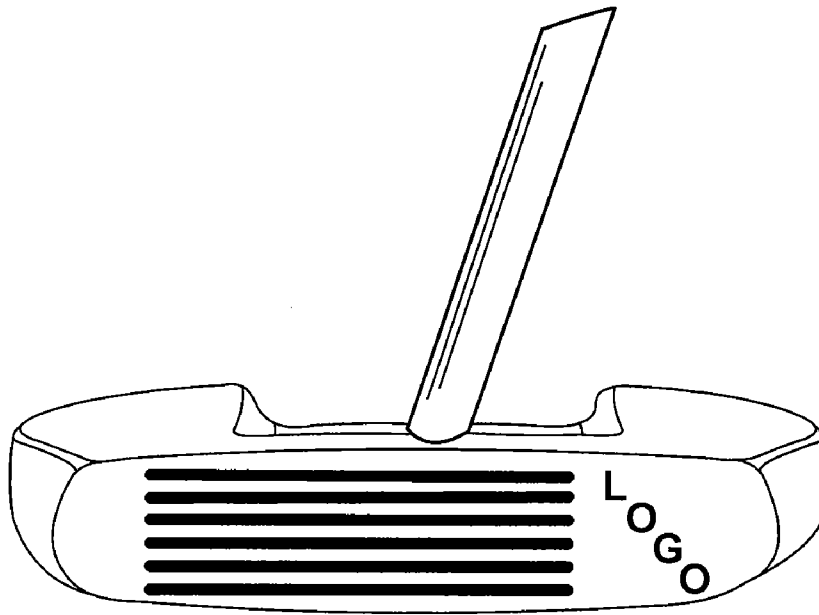


FIG. 11

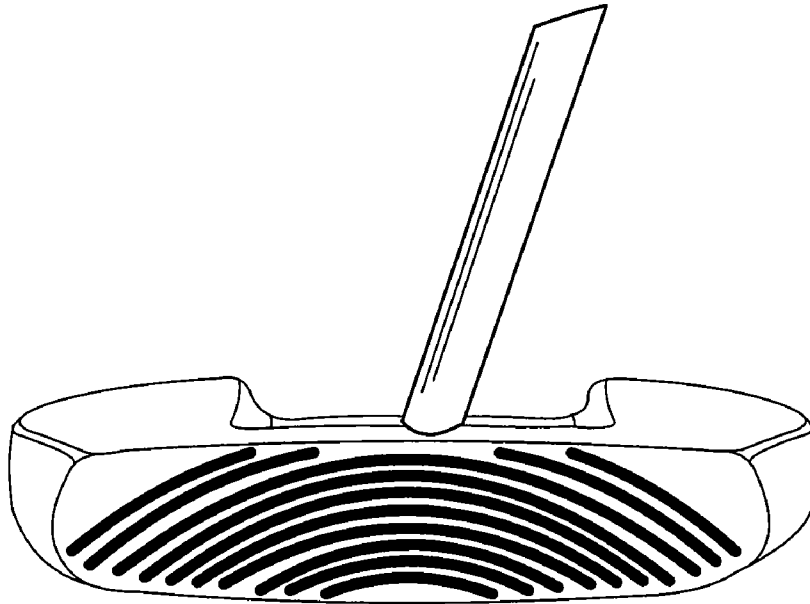


FIG. 12



FIG. 13

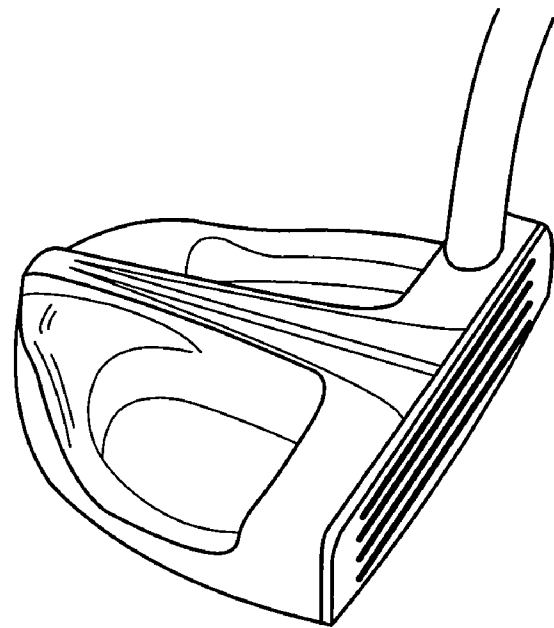


FIG. 14

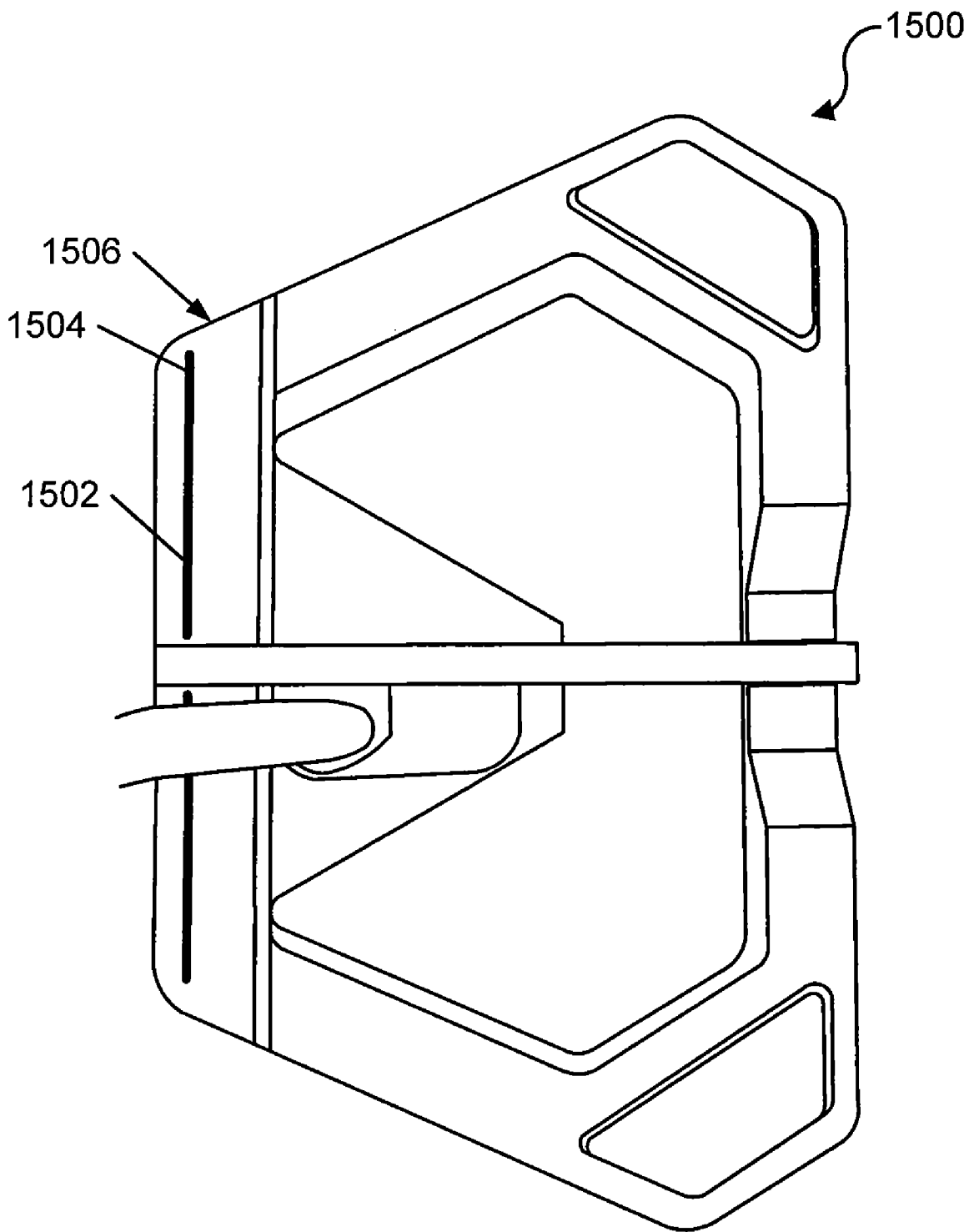


FIG. 15

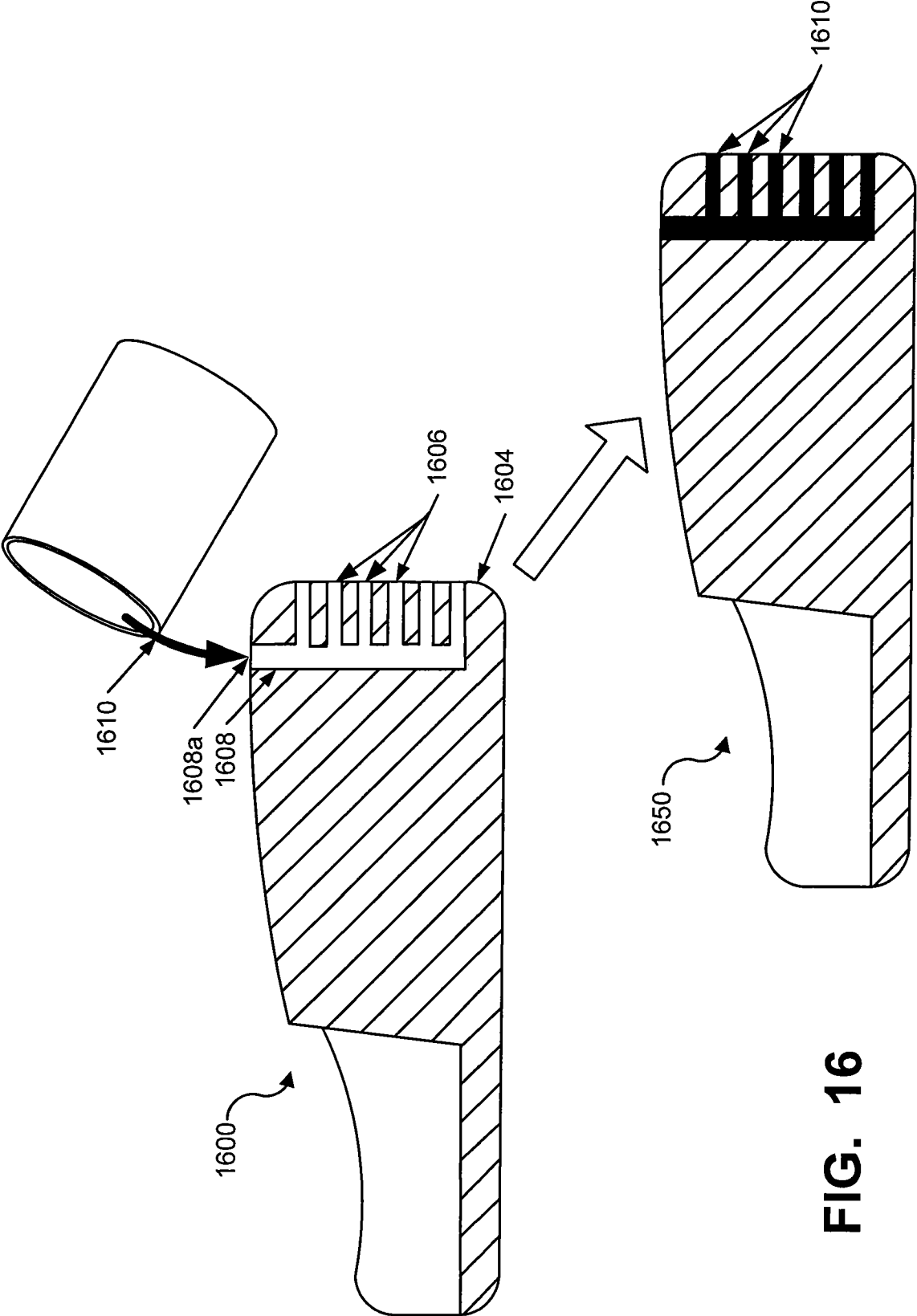


FIG. 16

1

**PUTTER HEADS AND PUTTERS INCLUDING
POLYMERIC MATERIAL AS PART OF THE
BALL STRIKING FACE**

FIELD OF THE INVENTION

The invention relates generally to putter heads and putters. Putter heads and putters in accordance with at least some examples of this invention may be constructed to include a relatively soft polymeric material as at least a portion of the ball striking face.

BACKGROUND

Golf is enjoyed by a wide variety of players—players of different genders and players of dramatically different ages and skill levels. Golf is somewhat unique in the sporting world in that such diverse collections of players can play together in golf events, even in direct competition with one another (e.g., using handicapped scoring, different tee boxes, in team formats, etc.), and still enjoy the golf outing or competition. These factors, together with increased availability of golf programming on television (e.g., golf tournaments, golf news, golf history, and/or other golf programming) and the rise of well known golf superstars, at least in part, have increased golf's popularity in recent years both in the United States and across the world. The number of individuals participating in the game and the number of golf courses have increased steadily over recent years.

Golfers at all skill levels seek to improve their performance, lower their golf scores, and reach that next performance “level.” Manufacturers of all types of golf equipment have responded to these demands, and recently, the industry has witnessed dramatic changes and improvements in golf equipment. For example, a wide range of different golf ball models now are available, with some balls designed to complement specific swing speeds and/or other player characteristics or preferences, e.g., with some balls designed to fly farther and/or straighter, some designed to provide higher or flatter trajectories, some designed to provide more spin, control, and/or feel (particularly around the greens), etc. A host of swing aids and/or teaching aids also are available on the market that promise to help lower one's golf scores.

Being the sole instruments that set golf balls in motion during play, golf clubs also have been the subject of much technological research and advancement in recent years. For example, the market has seen improvements in putter designs, golf club head designs, shafts, and grips in recent years. Additionally, other technological advancements have been made in an effort to better match the various elements and/or characteristics of the golf club and/or characteristics of a golf ball to a particular user's swing features or characteristics (e.g., club fitting technology, ball launch angle measurement technology, ball spin rate characteristics, etc.).

Golfers tend to be sensitive to the “feel” of a golf club, particularly with respect to putters. The “feel” of a golf club comprises the combination of various component parts of the club and various features associated with the club that produce the sensory sensations experienced by the player when a ball is swung at and/or struck. Club “feel” is a very personal characteristic in that a club that “feels” good to one user may have totally undesirable “feel” characteristics for another. Club weight, weight distribution, aerodynamics, swing speed, and the like all may affect the “feel” of the club as it swings and strikes a ball. “Feel” also has been found to be

2

related to the visual appearance of the club and the sound produced when the club head strikes a ball to send the ball in motion.

While technological improvements to golf club designs have been made, because of the very personal nature of the putter stroke and the “feel” aspects of putting a golf ball, no single putter structure is best suited for all players. New putter structures that change the look and feel of the club are welcomed by at least some players.

SUMMARY

The following presents a general summary of aspects of the invention in order to provide a basic understanding of this invention. This summary is not intended as an extensive overview of the invention. It is not intended to identify key or critical elements of the invention or to delineate the scope of the invention. The following summary merely presents some concepts of the invention in a general form as a prelude to the more detailed description provided below.

Aspects of this invention relate to putters and putter heads that include: (a) a putter body (made from one or multiple independent pieces or parts) including a ball striking face member made of a material having a first hardness characteristic, wherein a cavity is defined in the putter body behind the ball striking face member, and wherein a plurality of independent and separated openings are defined in the ball striking face member, the independent and separated openings extending rearward with respect to the ball striking face member so as to open into the cavity; (b) a polymeric material provided to at least partially fill the plurality of openings and the cavity, wherein the polymeric material has a second hardness characteristic that is softer than the first hardness characteristic, and wherein the ball striking face member and the polymeric material exposed in at least some of the openings provide a ball striking surface of the putter head; (c) a shaft (or other handle) member engaged with the putter body; and/or (d) a grip member engaged with the shaft member (or other handle member). The polymeric material may completely fill the plurality of openings and the cavity.

The polymeric material generally will lighten the club head structure, and thus allow a club designer to provide weight at other locations in the club head structure (e.g., to increase the club head's moment of inertia characteristics, to control the center of gravity location, etc.). Additionally, the presence of the polymeric material at the ball striking surface (and in contact with the ball during a putt) will influence the ball spin, as well as the sound and “feel” characteristics of the putter (e.g., due to vibration damping effects of the polymeric material).

If desired, the ball striking surface of putter structures in accordance with at least some examples of this invention may include a plurality of grooves defined therein (also call “scorelines”). The grooves or scorelines can help control and produce desired launch angles and/or spin rates of a golf ball during a putt. The grooves may be defined in the material making up the ball striking face member (e.g., between adjacent openings in the ball striking face member), in the polymeric material, or in both the material making up the ball striking face member and the polymeric material. If desired, a single continuous groove may be partially provided in the polymeric material and partially provided in the ball striking face member material immediately adjacent to the polymeric material.

Additional aspects of this invention also relate to methods for making putters and putter heads, e.g., of the various types described above.

BRIEF DESCRIPTION OF THE DRAWINGS

A more complete understanding of the present invention and certain advantages thereof may be acquired by referring to the following detailed description in consideration with the accompanying drawings, in which like reference numbers indicate like features, and wherein:

FIGS. 1A and 1B illustrate an example putter structure in accordance with this invention;

FIGS. 2A through 2C illustrate additional features of a polymer filled putter head in accordance with examples of this invention;

FIGS. 3 and 4 illustrate alternative features of grooves or scorelines that may be included in putter structures in accordance with at least some examples of this invention;

FIGS. 5 through 9 illustrate alternative features of the openings, cavities, and port arrangements that may be included in putter structures in accordance with at least some examples of this invention;

FIGS. 10 through 12 illustrate various examples of the openings and the polymeric material arrangements on the ball striking surface of a putter structure in accordance with this invention;

FIGS. 13 through 15 illustrate various example putter head constructions that may include polymer filled openings on the ball striking face and cavities in accordance with examples of this invention; and

FIG. 16 provides an illustrative aid for explaining various example methods of making putter heads in accordance with this invention.

DETAILED DESCRIPTION

In the following description of various example putter heads and other aspects of this invention, reference is made to the accompanying drawings, which form a part hereof, and in which are shown by way of illustration various example structures, systems, and steps in which aspects of the invention may be practiced. It is to be understood that other specific arrangements of parts, structures, example devices, systems, and steps may be utilized and structural and functional modifications may be made without departing from the scope of the present invention. Also, while the terms "top," "bottom," "front," "back," "side," and the like may be used in this specification to describe various example features and elements of the invention, these terms are used herein as a matter of convenience, e.g., based on the example orientations shown in the figures and/or the orientations during typical use. Nothing in this specification should be construed as requiring a specific three dimensional orientation of structures in order to fall within the scope of this invention.

At least some example aspects of this invention relate to putters and putter heads, as well as to methods of making such structures. A general description of aspects of the invention followed by a more detailed description of specific examples of the invention follows.

A. General Description of Putters, Putter Heads, and Methods According to Aspects of the Invention

In general, aspects of this invention relate to putters and putter heads. Such golf clubs, according to at least some examples of the invention, may include: (a) a putter body (made from one or multiple independent pieces or parts) including a ball striking face member made of a material having a first hardness characteristic, wherein a cavity is defined in the putter body behind the ball striking face mem-

ber, and wherein a plurality of independent and separated openings are defined in the ball striking face member, the independent and separated openings extending rearward with respect to the ball striking face member so as to open into the cavity; (b) a polymeric material provided to at least partially fill the plurality of openings and the cavity, wherein the polymeric material has a second hardness characteristic that is softer than the first hardness characteristic, and wherein the ball striking face member and the polymeric material exposed in at least some of the openings provide a ball striking surface of the putter head; (c) a shaft (or other handle) member engaged with the putter body; and/or (d) a grip member engaged with the shaft member (or other handle member). If desired, the polymeric material may completely fill the plurality of openings and the cavity.

If desired, the ball striking surface of putter structures in accordance with at least some examples of this invention may include a plurality of grooves defined therein (also called "scorelines"). The grooves may be defined in the material making up the ball striking face member (e.g., between adjacent openings in the ball striking face member), in the polymeric material, or in both the material making up the ball striking face member and the polymeric material. If desired, a single continuous groove may be partially provided in the polymeric material and partially provided in the ball striking face member material immediately adjacent to the polymeric material.

The plurality of openings in the ball striking face member may be arranged and oriented in a wide variety of ways without departing from this invention. For example, the openings may extend in a parallel or substantially parallel manner across the ball striking surface (e.g., such that the material of the ball striking face member extends between two adjacent openings). The openings may be formed as one or more elongated slots. As additional examples, at least some of the openings may form a design, logo, and/or alphanumeric characters on the ball striking surface. Additionally, any number of openings in any desired arrangement may be provided on the ball striking surface without departing from this invention.

The openings may be sized and arranged in a variety of different manners without departing from this invention. For example, in some putter head products in accordance with this invention, two adjacent openings may be separated by a distance ranging from 0.03 to 0.5 inches, and in some examples, by a distance of 0.1 to 0.3 inches. This separation distance corresponds to the dimensions of the ball striking face member material between adjacent openings. This separation distance may be constant or it may vary along the length of the openings. Likewise, this separation distance may be constant or it may vary among the adjacent openings present in the ball striking face member. Similarly, the openings themselves may have a variety of dimensions without departing from this invention. For example, the openings may extend all the way across the ball striking surface or partially across the ball striking surface (e.g., 10-80% of the way across the ball striking surface, and from 25-75% of the way across the ball striking surface in some examples). The openings may have a height dimension (in the putter head top-to-bottom direction) of any desired value, e.g., ranging from 0.03 to 0.5 inches, and in some example structures from 0.1 to 0.3 inches.

If desired, the cavity defined in the putter body may extend to and open at a port located at an exterior surface of the putter body (e.g., to allow introduction of the polymeric material in to the cavity and/or in to the openings during manufacture). This cavity access port may be located, for example, at a

5

bottom surface of the putter body, at a top surface of the putter body, and/or at a rear surface of the putter body. More than one cavity access port may be provided in a putter head structure without departing from this invention. If desired, when exposed at the top surface of the putter body, the poly-
 5 meric material (or a cover member provided in the cavity access port) may form at least a portion of an alignment aid for the putter head. The access port may be shaped to provide additional alignment aid features.

The openings may extend rearward from the ball striking surface of the putter body (to the cavity) in any desired man-
 10 ner without departing from this invention. For example, at least some of the plurality of independent and separated openings in a putter body may extend rearward from the ball striking surface in a direction substantially perpendicular to the ball striking surface. In other example structures, at least
 15 some of the plurality of independent and separated openings may extend rearward from the ball striking surface at a non-perpendicular angle with respect to the ball striking surface, e.g., at an angle of 10° to 80°, and in some examples struc-
 20 tures, at any angle within the range of 30° to 60°. The openings also may extend rearward in a curved or other non-linear or irregular manner.

Additional aspects of this invention relate to methods for making putter devices (such as putters and putter heads of the types described above). Such methods may include, for example: (a) providing a putter body (e.g., by manufacturing it, by obtaining it from a third party source, etc.) including a ball striking face member made of a material having a first hardness characteristic, wherein a cavity is defined in the putter body behind the ball striking face member, and wherein a plurality of independent and separated openings are defined in the ball striking face member, the independent and separated openings extending rearward with respect to the ball striking face member so as to open into the cavity; (b) placing
 35 a polymeric material in the putter body to at least partially fill the plurality of openings and the cavity, wherein the polymeric material has a second hardness characteristic that is softer than the first hardness characteristic, and wherein the polymeric material is inserted such that the ball striking face member and the polymeric material exposed in at least some of the openings provide a ball striking surface of the putter head; (c) attaching a shaft member to the putter body; and/or (d) attaching a grip member to the shaft member. The putter devices may have any of the various characteristics described above.
 45

Specific examples of the invention are described in more detail below. The reader should understand that these specific examples are set forth merely to illustrate examples of the invention, and they should not be construed as limiting the invention.
 50

B. Specific Examples of the Invention

The various figures in this application illustrate examples of putters, components thereof, and methods in accordance with examples of this invention. When the same reference number appears in more than one drawing, that reference number is used consistently in this specification and the drawings to refer to the same or similar parts throughout.
 60

FIGS. 1A and 1B illustrate an example putter structure **100** in accordance with this invention. The putter **100** includes a putter head **102** having a ball striking face **104**, a top portion **106**, a bottom portion **108**, and a shaft member **110** engaged with the putter head **102**. The top portion **106** of the putter head **102** may include an alignment aid **112** having any desired shape, structure, etc. The putter head **102** may be
 65

6

made from any desired materials without departing from this invention, including, for example, metals, metal alloys, and the like, including materials that are conventionally known and used in the art. Likewise, the shaft member **110** may be made of any desired materials without departing from this invention, including, for example, metals, metal alloys, composites, and the like, including materials that are conventionally known and used in the art.

As illustrated in FIG. 1A, the ball striking face **104** of the putter head **102** includes at least two different surface features. One portion **104a** of the putter head **102** is made from the base material for the ball striking face, such as the materials described above for the putter head **102** or other conventional materials used for putter ball striking faces. Another portion **104b** of the putter head **102** is made from a polymeric material. The polymeric material generally will be softer and more lightweight as compared to the material of the remainder of the ball striking face **104**, including portions **104a**. As illustrated in FIG. 1A, in this example structure, the two portions **104a** and **104b** of the ball striking face **104** extend across the ball striking surface of the putter head **102** in an alternating manner, such that a plurality of parallel strips of polymeric material **104b** are separated by a plurality of strips of the ball striking face material **104a**. Examples of the construction of putter heads to include this alternating material structure will be described in more detail below.

One potential advantage of providing a polymeric material within a putter head relates to the potential for weight savings. By removing some of the metal material from the putter head body, this material may be replaced by a lighter weight polymeric material. This weight savings allows the club designer to place additional weight at other areas of the putter head structure, such as toward the rear corners of the putter head structure. Such features may allow the club designer to control and design a club having higher moment of inertia (resistance to twisting) and desired center of gravity location characteristics. Additionally, by including this relatively soft polymeric material **104b** as part of the ball striking face (such that the polymeric material **104b** also directly contacts the ball during a putt), the ball strike characteristics of the putter head may be altered and controlled, which affects the sound, rebound, and other “feel” characteristics of the putter head (e.g., by damping vibrations and altering the sound of a ball strike). The polymeric material **104b** also may influence ball spin as the ball comes off the putter face.
 45

FIGS. 2A through 2C illustrate additional details of a putter head structure **200** in accordance with at least some examples of this invention. FIG. 2A is a cross sectional view taken along a center line of a putter head **200** (between the putter head’s heel and toe direction), e.g., like the putter head **102** illustrated in FIGS. 1A and 1B. As shown in FIG. 2A, like FIG. 1A above, the ball striking face **204** of the putter head **200** includes two distinct portions **204a** and **204b**, namely, a portion **204a** made up of the material making the main portion of the ball striking face **204** and a portion **204b** made from a polymeric material as described above. The polymeric material portion **204b** is filled into openings (e.g., slots) **206** defined in the ball striking surface **204** of the putter head **200**. The openings **206** may be formed in the ball striking face **204** of the putter head **200** in any desired manner without departing from this invention, including, for example, forming the ball striking face **204** to include such openings **206** (e.g., during the molding, casting, forging, or other production process), machining such openings **206** in a solid block of the putter head material, etc. Any desired number of openings **206** may be provided in a ball striking face **204** without departing from this invention.
 65

The openings **206** open at their rear ends into an open cavity structure **208** defined in the putter head structure **200**. This cavity structure **208** may be formed in the putter head **200** in any desired manner without departing from this invention, including, for example, forming the putter head **200** to include such a cavity **208** (e.g., during the molding, casting, forging, or other production process), machining such a cavity **208** in a solid block of the putter head material, etc. While a single cavity **208** is illustrated in FIG. 2A and all of the openings **206** open in to this single cavity **208**, if desired, multiple cavities **208** may be provided in a putter head structure **200**, and the openings **206** may open into any one or more of the available cavities without departing from this invention. In this illustrated example structure, the cavity **208** includes an access port member **208a** provided in the bottom surface **210** of the putter head structure **200**.

FIG. 2B illustrates an enlarged portion of the putter head structure **200** shown in FIG. 2A (the encircled portion **212** from FIG. 2A). As shown, the ball striking surface **204** includes both the metal (or other) material **204a** of the ball striking surface of the putter head **200** and the exposed polymeric material **204b** present in the openings **206** defined in the ball striking surface **204**. The openings **206** (and thus the height of the exposed polymeric material **204b** in the top-to-bottom direction on the ball striking face surface **204**) may be made of any desired size without departing from this invention. For example, these openings **206** (and thus the height of the exposed polymeric material **204b**) may be in the range of 0.03 to 0.5 inches, and in some examples, from about 0.1 to 0.3 inches. Likewise, the height of the metal (or other) material **204a** between adjacent openings **206** (and thus between adjacent portions **204b** of the polymeric material) may be made of any desired size without departing from this invention. For example, the height of these portions **204a** may be in the range of 0.03 to 0.5 inches, and in some examples, from about 0.1 to 0.3 inches. The heights of the portions **204a** may be less than, equal to, or greater than the heights of the portions **204b** in a given putter head structure. Additionally, the portions **204a** and **204b** may be of a constant size or of different sizes in a given putter head structure without departing from this invention. The heights of these portions **204a** and **204b** also may change over the course of the length of the individual portions **204a** and **204b** (e.g., in a heel-to-toe direction of the putter ball striking face). A wide variety of potential combinations of sizes of the various portions **204a** and **204b** are possible.

The cavity **208** may be placed at any desired position and in any desired orientation in the putter head structure **200** without departing from this invention (and thus, the openings **206** may extend in to the putter head structure **200** any desired distance without departing from this invention). For example, at least some portions of the cavity **208** may be oriented from about 0.25 to 2 inches rearward from the ball striking surface, and in some examples, from about 0.25 to 1 inch rearward. Also, while the illustrated cavity **208** is generally parallel to the ball striking face **204**, this is not a requirement. Rather, the cavity **208** can have any desired size, shape, orientation, and orientation with respect to the ball striking face **204** without departing from this invention. As some more specific examples, the cavity **208** may extend in a top-to-bottom direction ranging from 50-95% of the overall putter head height at the location of the cavity **208**, the cavity **208** may extend rearward by a distance ranging from 0.25 to 6 inches, and in some examples, from 0.5 to 4 inches or even from 0.5 to 3 inches; and the cavity **208** may extend in a heel-to-toe direction ranging from 5-95% of the overall putter head heel-to-toe length dimension at the location of the cavity **208** (and in

some examples, from 15-85% or even from 25-75% of the overall heel-to-toe dimension at the location of the cavity **208**).

As illustrated in FIG. 2B, the ball striking surface **204** may be smooth (e.g., the portions **204a** and **204b** may smoothly transfer from one portion to the next in the alternating portion structure). The ball striking surface **204** may be flat, or it may include some roll or bulge characteristics, and/or it may have some desired loft characteristic. This flat and/or smooth surface **204** is not a requirement. To the contrary, as illustrated in FIG. 2C, the ball striking surface **204** may include grooves or scorelines **210** formed therein. In this illustrated example structure, the scorelines **210** are formed at an area of the ball striking surface bridging the junctions between the metal portion **204a** and the polymeric portion **204b** of the ball striking surface **204** such that the scorelines **210** are cut into each of these materials **204a** and **204b**. The scorelines **210** may be integrally formed in the portions **204a** and **204b** when the various parts of the ball striking face **204** are formed (e.g., during the molding, casting, forging, or other forming process), and/or they may be formed at a later time (e.g., after the polymeric material is introduced into the putter head structure and hardened, e.g., by a cutting or machining process).

Providing scorelines (e.g., like scorelines **210**) can affect the manner in which the ball leaves the putter head during the course of a putt. For example, the scorelines **210** can affect launch angle and/or ball spin as the ball leaves the putter face during a putt. As one more specific example, in at least some instances, the scorelines **210** and the polymeric material **204b** will grip the ball somewhat and produce top spin on the ball when putted, which tends to get the ball rolling earlier and truer (e.g., and eliminates some early bouncing during a putt).

The scorelines **210** may have any desired height without departing from this invention. For example, if desired, the scorelines **210** may extend up to 10% of the height of the portion **204a** and/or **204b** into which it is provided, and in some examples, up to 25% or even up to 50% or 75% of this height. The scorelines **210** may extend into the portions **204a** and/or **204b** (in the front-to-rear or depth direction) a distance of about 0.25 to 2 times the scoreline's height, and in some examples, from 0.5 to 1.5 times the scoreline's height. The various scorelines **210** on a putter face **204** may have the same or different sizes and/or shapes, and every junction and/or every portion **204a** and/or **204b** on a given putter structure need not include an associated scoreline **210**.

The scorelines **210** may have other constructions without departing from this invention. For example, as illustrated in FIG. 3, the scorelines **210** may be formed solely in the material making up the polymeric portion **204b** of the ball striking face structure **204**. Alternatively, as illustrated in FIG. 4, the scorelines **210** may be formed solely in the material making up the metal (or other base material) portion **204a** of the ball striking face structure **204**. As yet another example, if desired, scorelines **210** of the types illustrated in FIGS. 2C, 3, and/or 4 may be combined in a single putter head structure without departing from this invention.

FIGS. 5-9 illustrate additional potential features of putter head structures in accordance with at least some examples of this invention. For example, FIG. 2A illustrates the openings **206** extending rearward from the ball striking face **204** in a direction generally perpendicular to the ball striking face **204**. This is not a requirement. For example, as illustrated in FIG. 5, the openings **206** may extend rearward from the ball striking face **204** at a non-perpendicular angle (angle α) with respect to the ball striking face. This angle α may be in the range of 10-80°, and in some putter structures, in the range of 30-60°. Of course, the openings **206** in a given putter head

structure need not extend rearward in parallel (in other words, the rearward extension angle α of the various openings 206 may vary in a single putter head structure without departing from this invention).

Other variations in the putter head structure are possible without departing from this invention. For example, the port 208a of the cavity 208 need not be in the bottom surface of the putter head, as shown in FIG. 2A. Rather, as shown in FIG. 6, the port 208a may be provided in the top surface of the putter head. In this manner, if desired (and as will be described in more detail below in conjunction with FIG. 15), the visible polymeric (or other material) present at the port 208a may provide at least a portion of an alignment aid for the putter head. While the polymeric material within the cavity 208 may be exposed at the port 208a (and at any of the ports described above), if desired, the port 208a may be closed by a cover element so that the polymeric material is not directly exposed to the exterior environment at the port 208a.

As another potential alternative structure, if desired, more than one port 208a may be provided with access to the cavity 208. For example, FIG. 7 illustrates a putter head structure in which both the top and bottom surfaces of the putter head include a port member 208a with direct access to the cavity 208. Either or both of these ports 208a may be used when filling the cavity 208 and the openings 206 with polymeric material (as will be described in more detail below in conjunction with FIG. 16).

FIG. 8 illustrates yet another example port configuration for a putter structure that may be used in accordance with at least some examples of this invention. As shown in FIG. 8, in this putter head structure the port 208a is provided in a rear face surface of the putter structure. Such a port 208a location may be desirable, for example, when the putter body is made of a relatively heavy material (such as a relatively heavy metal material) and/or removal of a relatively large amount of this material is desired to lighten the overall putter head structure (i.e., the larger distance between the cavity 208 and the port 208a will require the removal of a larger amount of metal material to place the port 208a in direct fluid communication with the cavity 208. Of course, more than one port 208a may be provided on the rear surface (or on another surface) of the putter structure, if desired. The port 208a may have the same dimensions as a cross section of the cavity 208 to which it leads (e.g., the same width and height, the same diameter, the same shape, etc.) or these dimensions or shapes may be different from one another.

While all of the above examples illustrated a putter structure with one main body part and the polymeric material inserted therein, the invention is not limited to this configuration. Rather, the putter main body may be constructed from multiple parts without departing from this invention. FIG. 9 illustrates an example putter head structure 900 in which the putter head includes a ball striking face portion 902 that is engaged with a main body portion 904. Any desired manner of engaging the ball striking face portion 902 with the main body portion 904 may be used without departing from this invention. For example, these portions 902 and 904 may be engaged by mechanical connectors (e.g., threaded connectors, rivets, etc.), by fusing techniques (e.g., welding, brazing, soldering, etc.), by cements or adhesives, by combinations of these manners, and/or in other manners. Other numbers and combinations of parts may be provided in the overall putter head structure without departing from this invention.

FIG. 9 illustrates additional potential features of putter heads in accordance with this invention. In this example structure 900, no external port 208a with access to cavity 208 is present. Rather, in this example structure 900, the cavity

208 is defined in a surface 906 of the main body portion 904 to which the striking face portion 902 is connected (the striking face portion 902 includes the openings 206 defined therein). The openings 206 and cavity 208 may be filled with polymeric material through one or more of the openings 206 located on the ball striking face 204. As additional alternatives, if desired, the cavity 208 may be defined in the rear surface of the striking face portion 902, or the cavity 208 may be partially defined in each of the portions 902 and 904. As yet an additional potential alternative, if desired, the cavity 208 may be omitted, (and the various openings 206 may be separately filled with the polymeric material). A single putter head structure also may include any combination of these features, without departing from this invention.

The openings on the ball striking face through which the polymeric material is exposed also may have a wide variety of configurations without departing from this invention. FIGS. 1A and 2A illustrate the openings (and thus the exposed polymeric material) as a plurality of elongated, continuous slots that extend across the majority of the ball striking face. This is not a requirement. For example, as illustrated in FIG. 10, the ball striking face may include multiple sets of separated openings filled with polymeric material. These sets of openings may align with one another or may be offset from one another as one moves across the ball striking face. The sets of openings may extend to a common cavity in the body member, to different cavities, or to no common cavity at all, if desired. While not illustrated in FIG. 10, if desired, the exposed surfaces of the sets of separated openings may be oriented at different angles from one another and/or may extend rearward at different angles from one another. As yet another example, if desired, the openings within a set need not be parallel to one another.

The openings (and thus the exposed polymeric material on the ball striking surface) are not limited to narrow, elongated slots, as illustrated in the previous examples. Rather, if desired, all or some portion of the openings may be of a different shape, e.g., to produce a stylized design, pattern, alphanumeric information, or other information on the ball striking face, such as a logo, manufacturer name, brand name, or trademark information, as illustrated in FIG. 11. This feature also may be used to customize the putter head, e.g., to include a personal name (such as the putter owner's name), a team name, or any other desired information, or to provide an end user (such as the club purchaser or other person) with the ability to design his or her own putter face.

FIG. 12 illustrates yet another pattern of openings (and thus another pattern of exposed polymeric material on the ball striking face surface). In this example construction, the ball striking face includes the openings and the polymeric material arranged in an arched or curved pattern across the ball striking surface. In this structure (as well as the other opening/exposed polymeric material structures described above), grooves or scorelines may be included in the polymeric material, in the material between the polymeric material, or both, e.g., as described above in conjunction with FIGS. 2C, 3, and 4.

Aspects of this invention may be practiced with any desired putter head construction without departing from this invention. FIGS. 1A through 12 illustrate aspects of the invention included in various mallet type golf putter head structures. As illustrated in FIG. 13, aspects of this invention also may be practiced with blade type putter heads. FIG. 14 illustrates aspects of this invention practiced in a high moment of inertia, large size putter head construction.

FIG. 15 illustrates aspects of this invention practiced in yet another putter head construction 1500. In this example struc-

ture **1500**, the port providing access to the cavity defined in the putter body is provided in the top surface **1504** of the putter head's ball striking face **1506**. In this structure **1500**, the exposed polymeric material **1502** at the top surface **1504** of the putter head **1500** forms a portion of the alignment aid for the putter head **1500**. As noted above, however, rather than directly exposing polymeric material **1502**, the port may be closed by a cover member to prevent direct exposure of the polymeric material **1502**. The exposed polymeric material and/or the cover member may be made of any desired color without departing from this invention.

The invention is not limited to use in the various putter constructions shown. Rather, aspects of this invention may be used in the construction of any desired putter construction, including general putter constructions and styles that are known and used in the art.

FIG. **16** generally illustrates a manner of making a putter head construction in accordance with examples of this invention. The method begins with a general putter body **1600** (or a putter ball striking face member) into which a cavity **1608** has been provided and into which a plurality of openings **1606** have been provided in the ball striking surface **1604**. The cavity **1608** and the openings **1606** may be provided in the putter body structure **1600** in any desired manner without departing from the invention, such as by machining them in, by molding or casting them in, by forging, etc. Liquid polymer material (or a precursor thereof) **1610** is introduced into the cavity **1608** via port **1608a**. The liquid polymer material **1610** flows from the cavity **1608** to fill the openings **1606** and the channels extending rearward therefrom. If desired, prior to introducing the polymer material **1610**, the putter body **1600** (or at least some portions thereof) may be fit into a mold or other suitable structure to hold the liquid polymer in place. The polymeric material **1610** may be introduced by pouring, by injection molding processes (e.g., under pressure), or the like. Once introduced, if necessary, the polymeric material **1610** may be exposed to conditions that enable it to harden, such as to cool temperatures; to high temperatures; to pressure; to ultraviolet, infrared, or other radiation; etc. The final putter body **1650** (including the cured polymeric material **1610** therein), may be further processed in any desired manner, e.g., by painting, anodizing, or other finishing processing; by cutting scorelines or grooves into the face of the putter head (e.g., as described above); by adding a shaft and/or grip member to the club head; etc.

Any desired polymeric material may be used without departing from this invention, including thermoplastic or thermosetting polymeric materials, synthetic rubber type polymeric materials, etc., such as polyurethanes, vinyls (e.g., ethylvinylacetates, etc.), nylons, polyethers, polybutylene terephthalates, etc.

Putters and putter heads may have any desired constructions, materials, dimensions, loft angles, lie angles, colors, designs, and the like without departing from this invention, including conventional constructions, materials, dimensions, loft angles, lie angles, colors, designs, and the like, as are known and used in the art.

CONCLUSION

Of course, many modifications to the putter and putter head structures and/or methods for making these structures may be used without departing from the invention. For example, with respect to the structures, grips, aiming indicia or markings, other indicia or markings, different types of putter heads, various shaft curvatures and/or shapes, various shaft connecting member shapes, and/or other structural elements may be

provided and/or modified in the structure without departing from the invention. With respect to the methods, additional production steps may be added, various described steps may be omitted, the steps may be changed and/or changed in order, and the like, without departing from the invention. Therefore, while the invention has been described with respect to specific examples including presently preferred modes of carrying out the invention, those skilled in the art will appreciate that there are numerous variations and permutations of the above described structures and methods. Thus, the spirit and scope of the invention should be construed broadly as set forth in the appended claims.

We claim:

1. A putter head, comprising:

a putter body including a ball striking face member made of a material having a first hardness characteristic, wherein a cavity is defined in the putter body behind the ball striking face member, wherein a plurality of independent and separated openings are defined in the ball striking face member, the independent and separated openings extending rearward with respect to the ball striking face member so as to open into the cavity, and wherein at least some of the independent and separated openings extend across a central portion of the ball striking face member; and

a polymeric material provided to at least partially fill the plurality of openings and the cavity, wherein the polymeric material has a second hardness characteristic that is softer than the first hardness characteristic, and wherein the material making up the ball striking face member between adjacent openings and the polymeric material exposed in at least some of the openings extend across the central portion of the ball striking face member and provide a ball striking surface of the putter head that contacts a ball when struck by the putter head,

wherein a plurality of grooves are defined in the ball striking surface of the putter head, wherein the plurality of grooves extend across the central portion of the ball striking face member and are formed in at least one of: (a) the material making up the ball striking face member between adjacent openings and (b) the polymeric material exposed in the openings in the ball striking face member.

2. A putter head according to claim **1**, wherein at least some of the plurality of grooves are defined in the material making up the ball striking face member.

3. A putter head according to claim **1**, wherein at least some of the plurality of grooves are defined in the polymeric material exposed in at least some of the openings in the ball striking face member.

4. A putter head according to claim **1**, wherein the plurality of grooves are defined both in the material making up the ball striking face member and in the polymeric material exposed in at least some of the openings in the ball striking face member.

5. A putter head according to claim **1**, wherein the plurality of openings are arranged in a parallel manner extending across the central portion of the ball striking surface.

6. A putter head according to claim **5**, wherein the ball striking face member includes at least four openings arranged in a parallel manner.

7. A putter head according to claim **1**, wherein the cavity additionally extends to and opens at an exterior surface of the putter body at a location other than the ball striking surface.

8. A putter head according to claim **7**, wherein the cavity opens at a bottom surface of the putter body.

13

9. A putter head according to claim 7, wherein the cavity opens at a top surface of the putter body.

10. A putter head according to claim 9, wherein the polymeric material is exposed at the top surface of the putter body and forms at least a portion of an alignment aid for the putter head. 5

11. A putter head according to claim 7, wherein the cavity opens at a rear surface of the putter body.

12. A putter head according to claim 1, wherein, among the plurality of independent and separated openings, two adjacent openings are separated by a distance ranging from 0.03 to 0.5 inch. 10

13. A putter head according to claim 1, wherein, among the plurality of independent and separated openings, two adjacent openings are separated by a distance ranging from 0.1 to 0.3 inch. 15

14. A putter head according to claim 1, wherein, among the plurality of independent and separated openings, each opening is separated from any adjacent opening by a distance ranging from 0.03 to 0.5 inch. 20

15. A putter head according to claim 14, wherein the openings are separated from adjacent openings by a constant distance when moving from a first end of an opening to a second end of the opening.

16. A putter head according to claim 14, wherein all adjacent openings in the ball striking face member are separated from one another by a constant distance. 25

17. A putter head according to claim 1, wherein at least some of the plurality of independent and separated openings extend rearward from the ball striking surface in a direction substantially perpendicular to the ball striking surface. 30

18. A putter head according to claim 1, wherein at least a portion of the plurality of openings form a logo or a design element on the ball striking surface.

19. A putter head according to claim 1, wherein at least a portion of the plurality of openings form one or more alphanumeric characters on the ball striking surface. 35

20. A putter head, comprising:

a putter body including a ball striking face member made of a material having a first hardness characteristic, wherein a cavity is defined in the putter body behind the ball striking face member, wherein a plurality of independent and separated openings are defined in the ball striking face member, the independent and separated openings extending rearward with respect to the ball striking face member so as to open into the cavity, and wherein at least some of the plurality of independent and separated openings extend rearward from the ball striking surface at a non-perpendicular angle with respect to the ball striking surface; and 40

a polymeric material provided to at least partially fill the plurality of openings and the cavity, wherein the polymeric material has a second hardness characteristic that is softer than the first hardness characteristic, and wherein the ball striking face member and the polymeric material exposed in at least some of the openings provide a ball striking surface of the putter head. 45

21. A putter head according to claim 20, wherein the non-perpendicular angle is within a range of 10° to 80°.

22. A putter head according to claim 20, wherein the non-perpendicular angle is within a range of 30° to 60°. 50

23. A putter, comprising:

a putter body including a ball striking face member made of a material having a first hardness characteristic, wherein a cavity is defined in the putter body behind the ball striking face member, wherein a plurality of independent and separated openings are defined in the ball strik- 55

14

ing face member, the independent and separated openings extending rearward with respect to the ball striking face member so as to open into the cavity, and wherein at least some of the independent and separated openings extend across a central portion of the ball striking face member;

a polymeric material provided to at least partially fill the plurality of openings and the cavity, wherein the polymeric material has a second hardness characteristic that is softer than the first hardness characteristic, wherein the material making up the ball striking face member between adjacent openings and the polymeric material exposed in at least some of the openings extend across the central portion of the striking face member and provide a ball striking surface of the putter head that contacts a ball when struck by the putter head, wherein a plurality of grooves are defined in the ball striking surface of the putter head, and wherein the plurality of grooves extend across the central portion of the ball striking face member and are formed in at least one of: (a) the material making up the ball striking face member between adjacent openings and (a) the polymeric material exposed in the openings in the ball striking face member; and

a shaft member extending from the putter body.

24. A putter according to claim 23, wherein at least some of the plurality of grooves are defined in the material making up the ball striking face member.

25. A putter according to claim 23, wherein at least some of the plurality of grooves are defined in the polymeric material exposed in at least some of the openings in the ball striking face member.

26. A putter according to claim 23, wherein the plurality of grooves are defined both in the material making up the ball striking face member and in the polymeric material exposed in at least some of the openings of the ball striking face member.

27. A putter according to claim 23, wherein the plurality of openings are arranged in a parallel manner extending across the central portion of the ball striking surface.

28. A putter according to claim 23, wherein the cavity additionally extends to and opens at an exterior surface of the putter body at a location other than the ball striking surface.

29. A putter according to claim 23, wherein at least some of the plurality of independent and separated openings extend rearward from the ball striking surface in a direction substantially perpendicular to the ball striking surface.

30. A putter according to claim 23, wherein at least a portion of the plurality of openings form a logo or a design element on the ball striking surface.

31. A putter according to claim 23, wherein at least a portion of the plurality of openings form one or more alphanumeric characters on the ball striking surface.

32. A putter, comprising:

a putter body including a ball striking face member made of a material having a first hardness characteristic, wherein a cavity is defined in the putter body behind the ball striking face member, wherein a plurality of independent and separated openings are defined in the ball striking face member, the independent and separated openings extending rearward with respect to the ball striking face member so as to open into the cavity, and wherein at least some of the plurality of independent and separated openings extend rearward from the ball striking surface at a non-perpendicular angle with respect to the ball striking surface;

15

a polymeric material provided to at least partially fill the plurality of openings and the cavity, wherein the polymeric material has a second hardness characteristic that is softer than the first hardness characteristic, and wherein the ball striking face member and the polymeric

16

material exposed in at least some of the openings provide a ball striking surface of the putter head; and a shaft member extending from the putter body.

* * * * *