



US00D607950S

(12) **United States Design Patent**
Souza et al.

(10) **Patent No.:** **US D607,950 S**
(45) **Date of Patent:** **** Jan. 12, 2010**

(54) **GOLF CLUB HEAD**
(75) Inventors: **John C. Souza**, Phoenix, AZ (US); **Jake P. Fife**, Phoenix, AZ (US)
(73) Assignee: **Karsten Manufacturing Corporation**, Phoenix, AZ (US)
(**) Term: **14 Years**
(21) Appl. No.: **29/333,361**
(22) Filed: **Mar. 6, 2009**

D568,427 S * 5/2008 Nguyen et al. D21/743
D572,325 S * 7/2008 Baer D21/746
D584,780 S * 1/2009 Ines et al. D21/746
D585,510 S * 1/2009 Murrieta D21/736
D586,413 S * 2/2009 D'Eath D21/735

* cited by examiner

Primary Examiner—Mitchell I Siegel

(57) **CLAIM**

The ornamental design for a golf club head, as shown and described.

DESCRIPTION

FIG. 1 is a top perspective view of the golf club head;
FIG. 2 is a bottom perspective view of the golf club head of FIG. 1;
FIG. 3 is a front elevational view of the golf club head of FIG. 1;
FIG. 4 is a rear elevational view of the golf club head of FIG. 1;
FIG. 5 is a top view of the golf club head of FIG. 1;
FIG. 6 is a bottom view of the golf club head of FIG. 1;
FIG. 7 is a right view of the golf club head of FIG. 1; and
FIG. 8 is a left view of the golf club head of FIG. 1.

The broken lines shown in one or more of the figures are for illustrative purposes only and form no part of the claimed design.

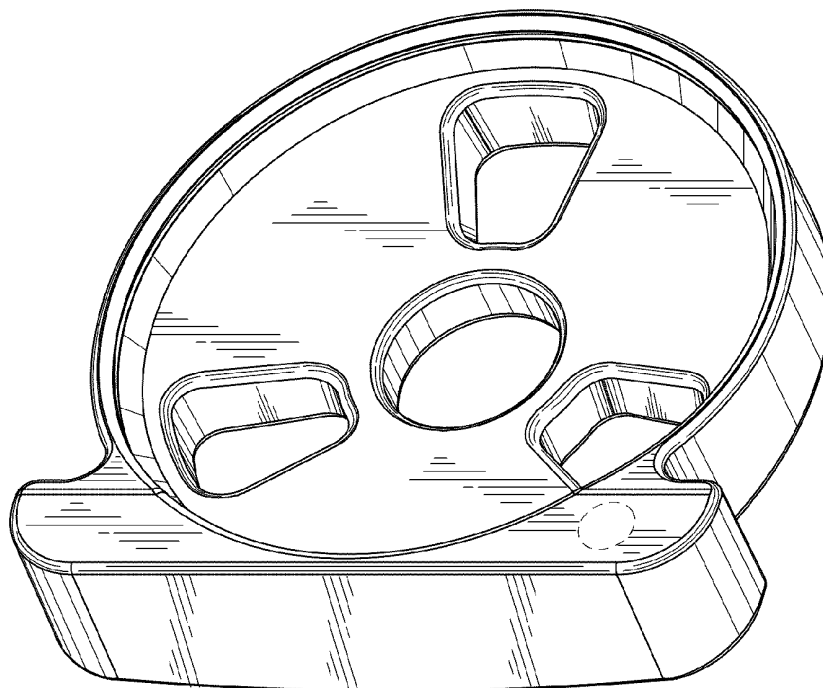
1 Claim, 4 Drawing Sheets

(51) **LOC (9) Cl.** **21-02**
(52) **U.S. Cl.** **D21/736**
(58) **Field of Classification Search** D21/736-746;
473/324-331, 340-341
See application file for complete search history.

(56) **References Cited**

U.S. PATENT DOCUMENTS

D257,869 S * 1/1981 MacDougall D21/739
D257,870 S * 1/1981 MacDougall D21/739
D268,691 S * 4/1983 Collins D21/739
D388,853 S * 1/1998 Minami D21/745
D402,724 S * 12/1998 Minami D21/743
D488,526 S 4/2004 Souza et al.
6,837,801 B1 1/2005 Souza et al.
6,893,355 B2 5/2005 Souza et al.
D507,612 S 7/2005 Souza et al.
6,926,615 B1 8/2005 Souza et al.
D521,582 S 5/2006 Souza et al.
D564,053 S * 3/2008 Blankenship D21/736



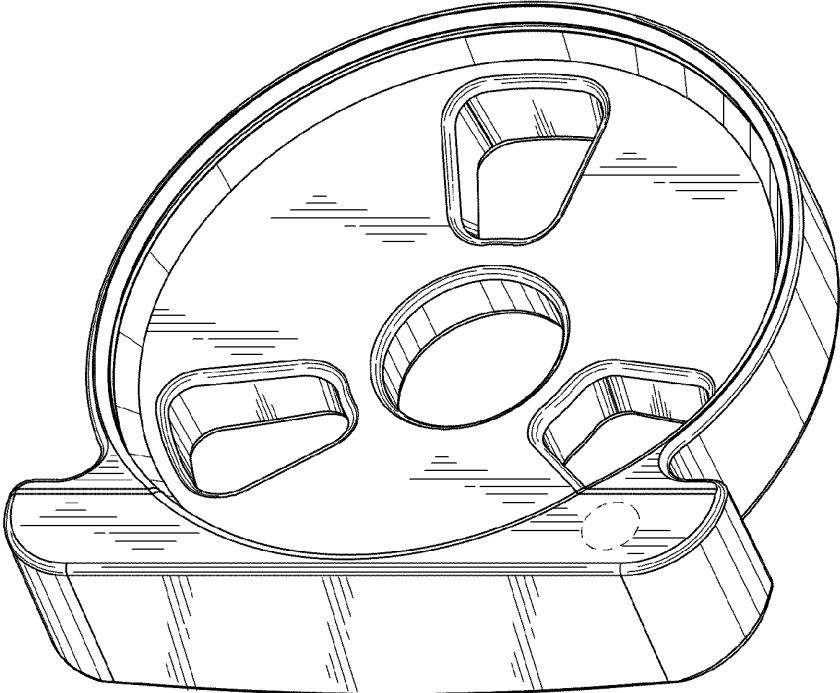


FIG. 1

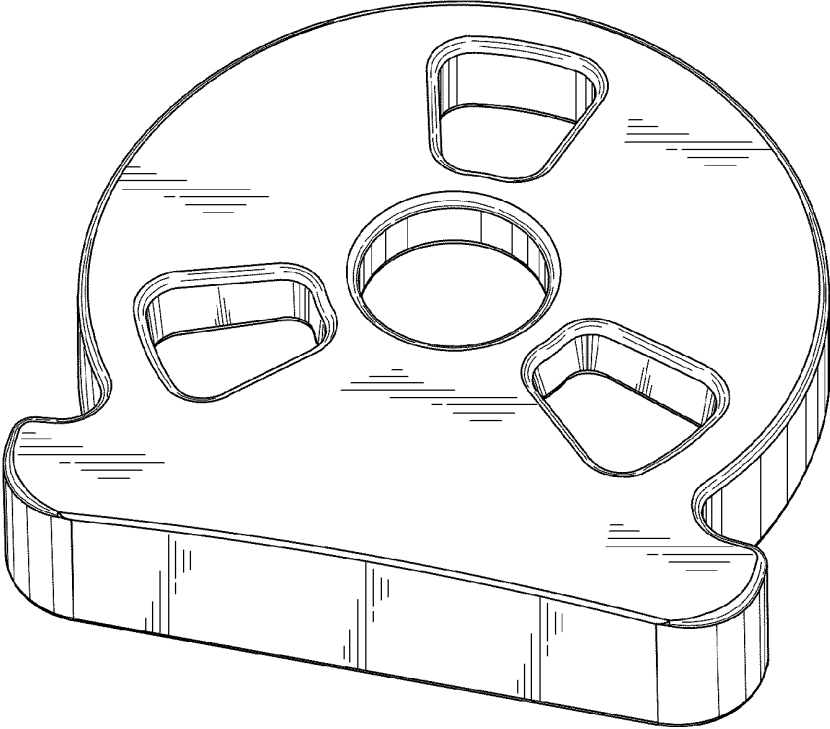


FIG. 2

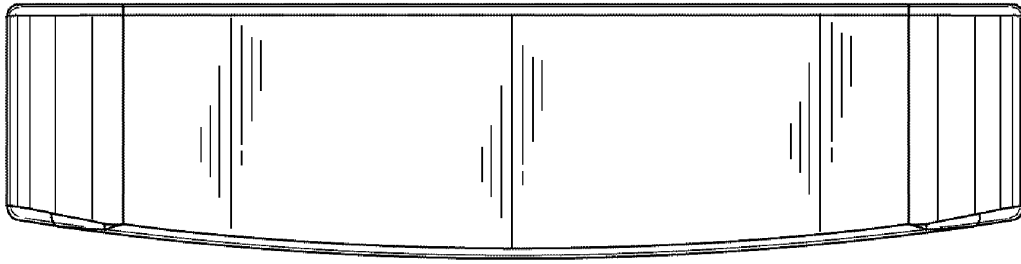


FIG. 3

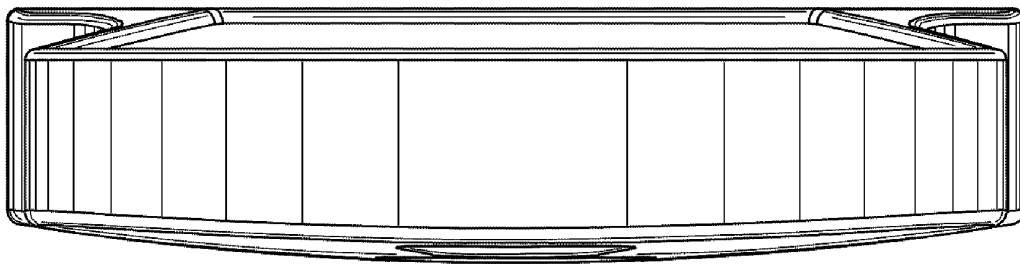


FIG. 4

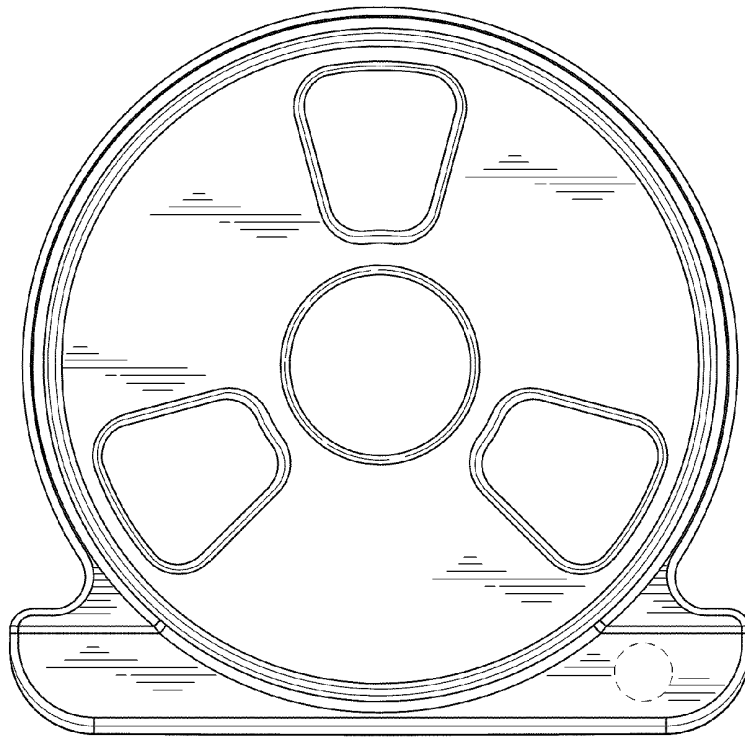


FIG. 5

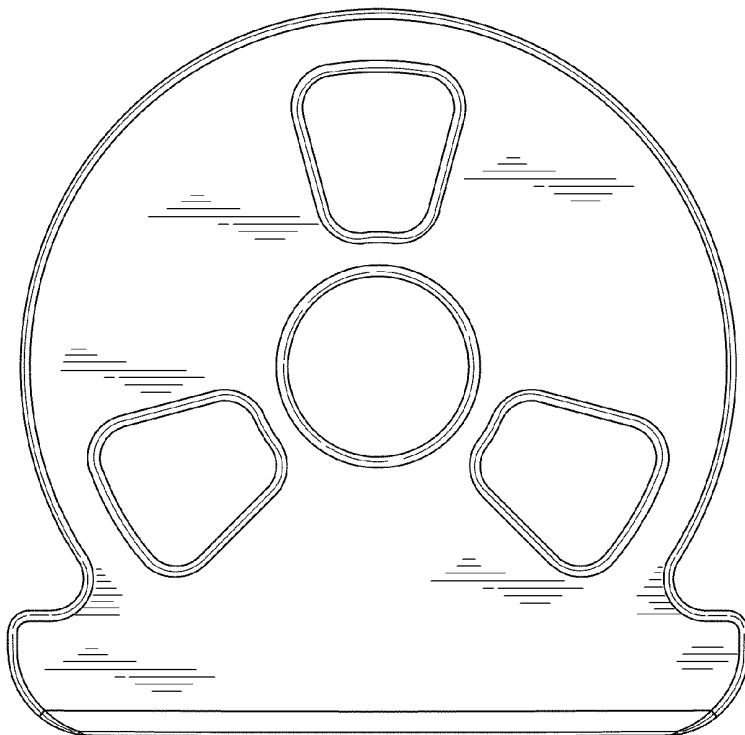


FIG. 6

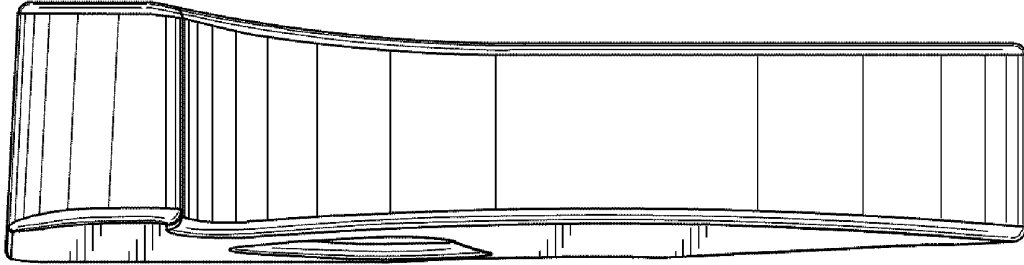


FIG. 7

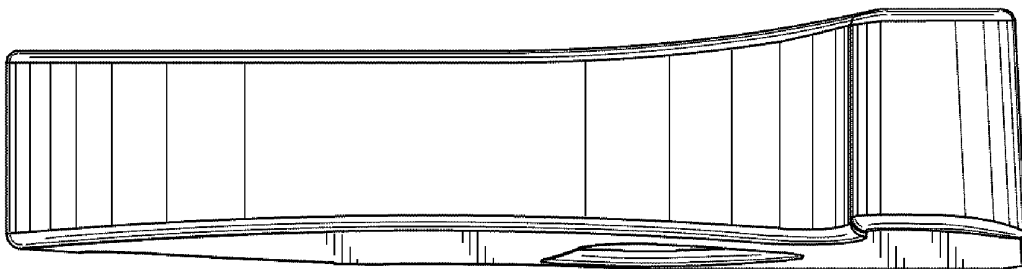


FIG. 8