



US00D680603S

(12) **United States Design Patent**  
**Nicolette et al.**

(10) **Patent No.:** **US D680,603 S**

(45) **Date of Patent:** **\*\* Apr. 23, 2013**

- (54) **GOLF CLUB HEAD**
- (71) Applicant: **Karsten Manufacturing Corporation**,  
Phoenix, AZ (US)
- (72) Inventors: **Michael R. Nicolette**, Scottsdale, AZ  
(US); **Xiaojian Chen**, Phoenix, AZ (US)
- (73) Assignee: **Karsten Manufacturing Corporation**,  
Phoenix, AZ (US)
- (\*\*) Term: **14 Years**
- (21) Appl. No.: **29/440,192**
- (22) Filed: **Dec. 19, 2012**
- (51) **LOC (9) Cl.** ..... **21-02**
- (52) **U.S. Cl.**  
USPC ..... **D21/749**
- (58) **Field of Classification Search** ..... D21/747-751,  
D21/759; 473/324-331, 350  
See application file for complete search history.

- D383,819 S 9/1997 Takahashi
- 5,665,013 A 9/1997 Kobayashi
- 5,676,605 A 10/1997 Kobayashi
- D386,550 S 11/1997 Wright
- D386,551 S 11/1997 Solheim
- D387,405 S 12/1997 Solheim

(Continued)

**OTHER PUBLICATIONS**

Michael R. Nicolette, et al., "Club Head Sets With Varying Characteristics and Related Methods," U.S. Appl. No. 12/791,738, filed Jun. 1, 2010.

(Continued)

*Primary Examiner* — Mitchell Siegel

**CLAIM**

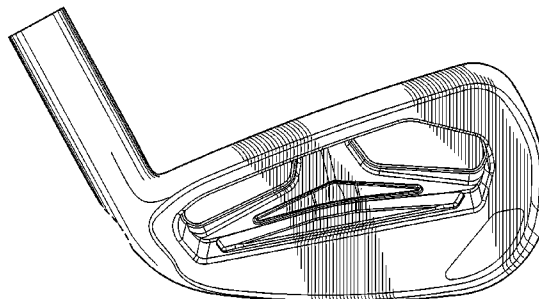
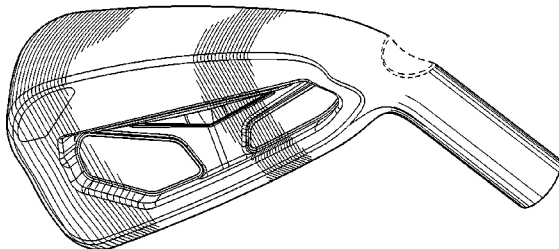
(57) The ornamental design for a golf club head, as shown and described.

**DESCRIPTION**

FIG. 1 is a top perspective view of a golf club head; FIG. 2 is a bottom perspective view of the golf club head of FIG. 1; FIG. 3 is a front elevational view of the golf club head of FIG. 1; FIG. 4 is a rear elevational view of the golf club head of FIG. 1; FIG. 5 is a top view of the golf club head of FIG. 1; FIG. 6 is a bottom view of the golf club head of FIG. 1; FIG. 7 is a left side view of the golf club head of FIG. 1; and FIG. 8 is a right side view of the golf club head of FIG. 1. The broken lines shown in one or more of the figures are for illustrative purposes only and form no part of the claimed design.

**1 Claim, 4 Drawing Sheets**

- (56) **References Cited**
- U.S. PATENT DOCUMENTS**
- D55,278 S 5/1920 Kraeuter
- D234,608 S 3/1975 Raymont
- D240,841 S 8/1976 Solheim
- D256,264 S 8/1980 Solheim
- 4,355,808 A 10/1982 Jernigan
- D276,644 S 12/1984 Solheim
- 5,014,993 A 5/1991 Antonious
- D318,512 S 7/1991 Piotrowski
- 5,048,834 A 9/1991 Gorman
- D330,577 S 10/1992 Solheim
- D332,812 S 1/1993 Solheim
- D344,778 S 3/1994 Solheim
- D357,293 S 4/1995 Solheim
- D357,294 S 4/1995 Solheim
- D368,127 S 3/1996 Solheim
- D379,393 S 5/1997 Kubica



# US D680,603 S

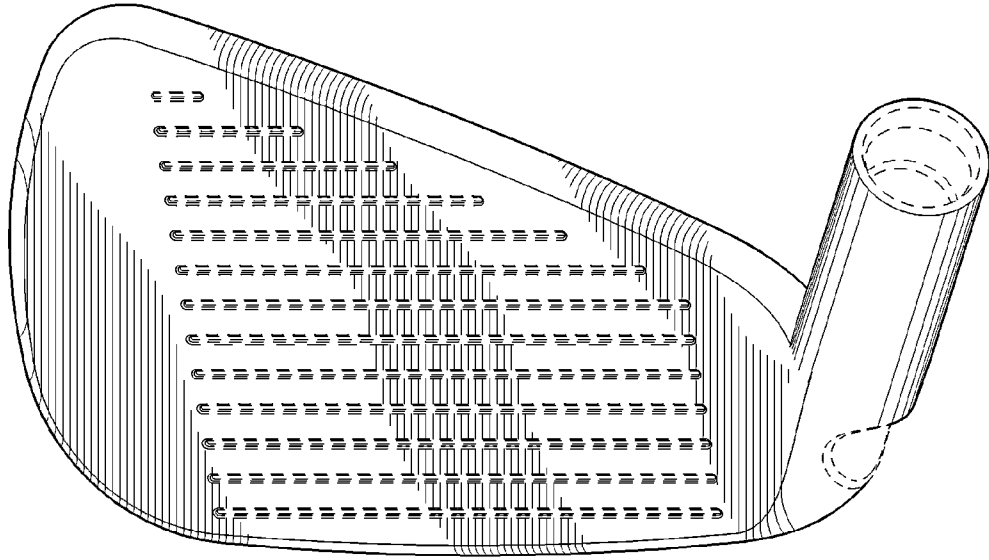
## U.S. PATENT DOCUMENTS

D388,486 S	12/1997	Mahaffey	D559,931 S	1/2008	Roach	
D390,617 S	2/1998	Solheim	D561,855 S	2/2008	Schweigert	
D392,356 S	3/1998	Burrows	D562,925 S	2/2008	Schweigert	
D398,687 S	9/1998	Miyajima	D570,435 S	6/2008	Sanchez	
D411,272 S	6/1999	Burrow	D570,935 S	6/2008	Nicolette	
5,921,869 A	7/1999	Blough	D570,936 S	6/2008	Schweigert	
D418,184 S	12/1999	Kubica	D571,422 S	6/2008	Schweigert	
D421,784 S	3/2000	Kubica	D571,881 S	6/2008	Nicolette	
D422,043 S	3/2000	Kubica	D572,326 S	7/2008	Schweigert	
D428,635 S	7/2000	Nagai	D572,329 S	7/2008	Nicolette	
D429,298 S	8/2000	Butler	D573,219 S	7/2008	Schweigert	
D429,299 S	8/2000	Kubica	7,396,299 B2	7/2008	Nicolette	
D437,902 S	2/2001	Persinger	D577,088 S *	9/2008	Clausen et al.	D21/749
D437,906 S	2/2001	Gilbert	D577,783 S	9/2008	Schweigert	
D442,659 S	5/2001	Kubica	D578,590 S	10/2008	Schweigert	
D443,008 S	5/2001	Kubica	D581,000 S	11/2008	Nicolette	
D444,195 S	6/2001	Wahl	D591,808 S *	5/2009	Clausen et al.	D21/747
D458,328 S	6/2002	Solheim	D591,819 S *	5/2009	Bosilkovski et al.	D21/759
D465,253 S	11/2002	Best	D596,256 S	7/2009	Schweigert	
D473,605 S	4/2003	Petersen	D596,257 S	7/2009	Jertson	
D475,108 S	5/2003	Madore	D597,158 S	7/2009	Schweigert	
6,695,714 B1	2/2004	Bliss	D601,216 S	9/2009	Jertson	
D492,376 S	6/2004	Nicolette	D604,783 S	11/2009	Nicolette	
D494,240 S	8/2004	Schweigert	D607,073 S	12/2009	Jertson	
D494,648 S	8/2004	Schweigert	D621,893 S	8/2010	Nicolette	
D500,350 S	12/2004	Schweigert	D621,894 S	8/2010	Schweigert	
D500,351 S	12/2004	Schweigert	D621,895 S	8/2010	Schweigert	
D502,237 S	2/2005	Schweigert	D622,336 S *	8/2010	Kohnno	D21/747
D502,975 S	3/2005	Schweigert	D627,410 S	11/2010	Nicolette	
D503,204 S	3/2005	Nicolette	D635,627 S	4/2011	Nicolette	
D504,925 S	5/2005	Schweigert	D639,881 S *	6/2011	Breier et al.	D21/747
D505,171 S	5/2005	Schweigert	D643,491 S	8/2011	Stokke	
D507,614 S	7/2005	Schweigert	D643,896 S	8/2011	Jertson	
6,921,344 B2	7/2005	Gilbert	D647,582 S	10/2011	Nicolette	
D508,099 S	8/2005	Schweigert	D659,214 S *	5/2012	Oldknow et al.	D21/759
D514,183 S	1/2006	Schweigert	D669,947 S *	10/2012	Kim et al.	D21/747
D516,152 S	2/2006	Madore	D672,417 S	12/2012	Jertson	
D517,625 S	3/2006	Sanchez	2003/0119602 A1	6/2003	Kennedy, III	
D519,179 S	4/2006	Roberts	2005/0009632 A1	1/2005	Schweigert	
D523,501 S	6/2006	Nicolette	2005/0096156 A1	5/2005	Chen	
D530,759 S	10/2006	Nicolette	2006/0258480 A1	11/2006	Hou	
D530,760 S	10/2006	Schweigert	2007/0117653 A1	5/2007	Yoneyama	
7,125,343 B2	10/2006	Imamoto	2007/0225084 A1	9/2007	Schweigert	
D532,849 S	11/2006	Nicolette	2008/0300065 A1	12/2008	Schweigert	
D534,228 S	12/2006	Nicolette	2009/0029790 A1	1/2009	Nicolette	
D534,595 S	1/2007	Hasebe	2009/0029791 A1	1/2009	Solheim	
D534,597 S	1/2007	Nicolette	2009/0118033 A1	5/2009	Nakamura	
D536,759 S	2/2007	Schweigert	2009/0149277 A1	6/2009	Deng	
D537,494 S	2/2007	Jertson	2010/0178999 A1	7/2010	Nicolette	
D538,366 S	3/2007	Nicolette	2010/0279796 A1	11/2010	Nicolette	
D539,862 S	4/2007	Nunez				
D539,864 S	4/2007	Nicolette				
D540,898 S *	4/2007	Solheim et al.				D21/749
D541,360 S	4/2007	Schweigert				
7,207,900 B2	4/2007	Nicolette				
D544,056 S *	6/2007	Nicolette et al.				D21/749
D554,212 S	10/2007	Nunez				
D554,218 S	10/2007	Ruggiero				

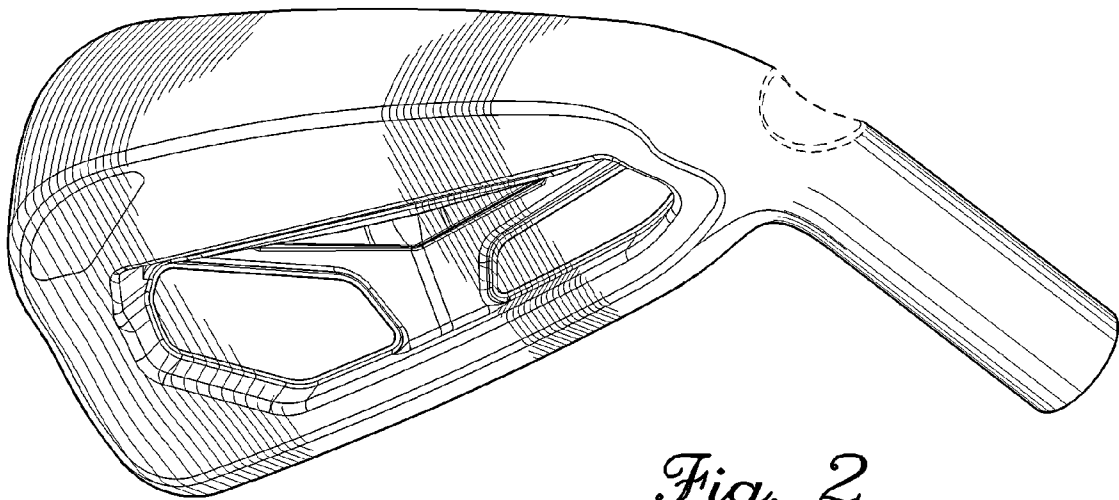
## OTHER PUBLICATIONS

Michael R. Nicolette, et al., "Club Head Sets With Varying Characteristics and Related Methods," U.S. Appl. No. 12/791,734, filed Jun. 1, 2010.  
 Michael R. Nicolette, et al., "Golf Club Head," U.S. Appl. No. 29/440,198, filed Dec. 19, 2012.

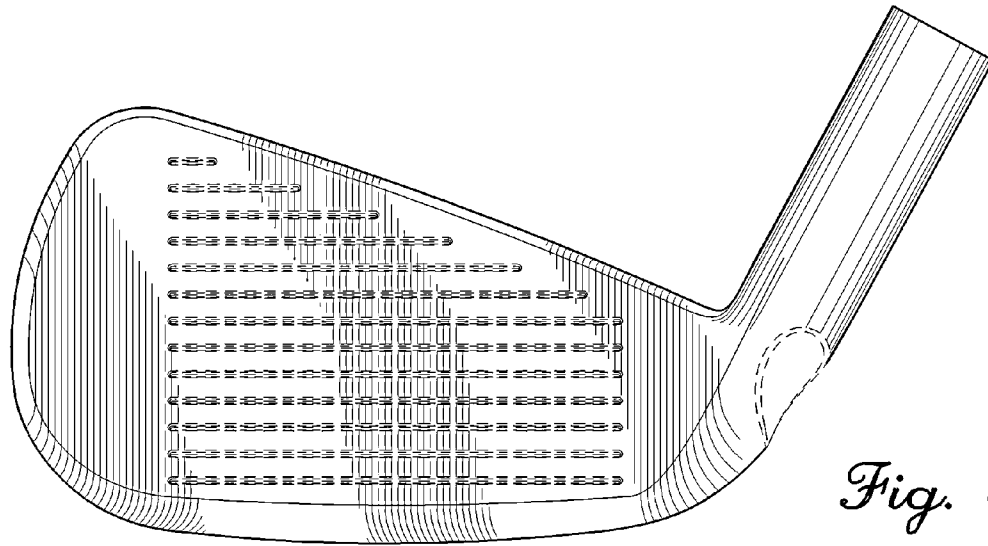
\* cited by examiner



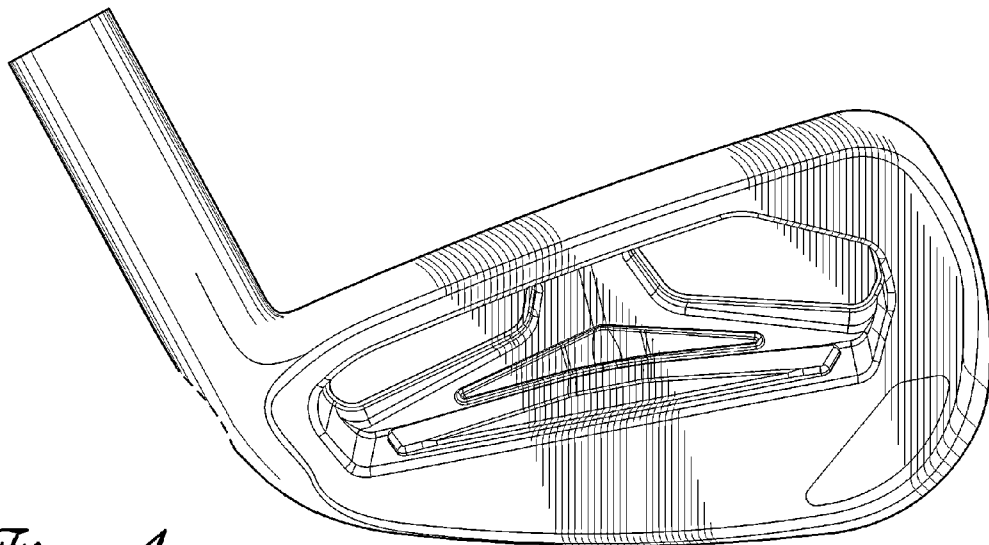
*Fig. 1*



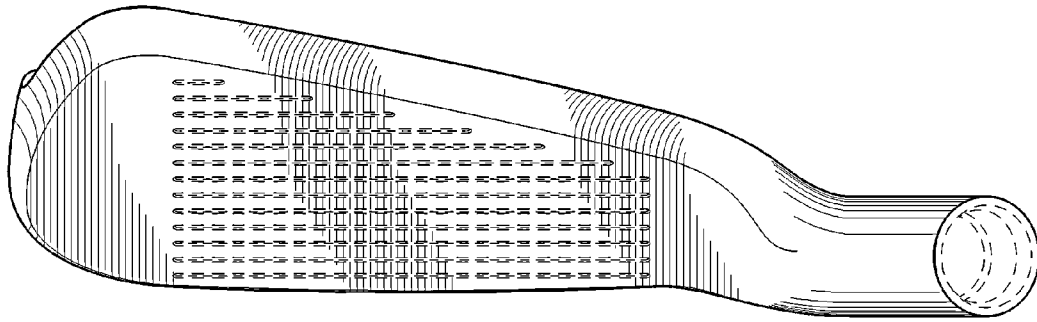
*Fig. 2*



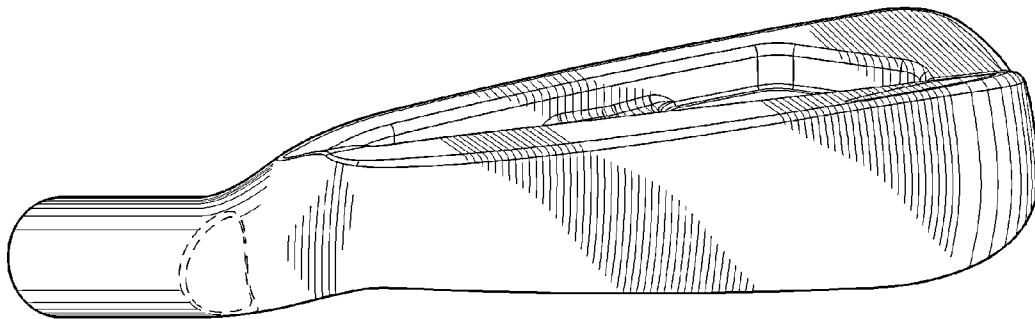
*Fig. 3*



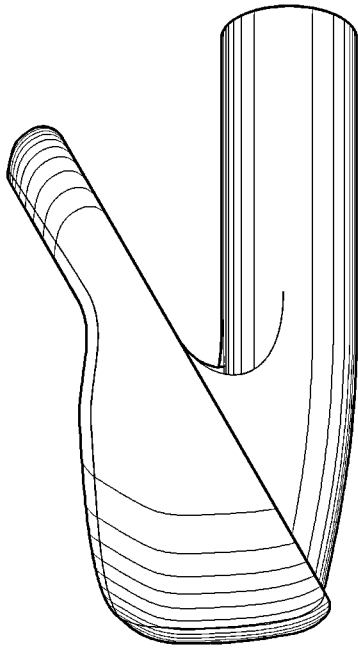
*Fig. 4*



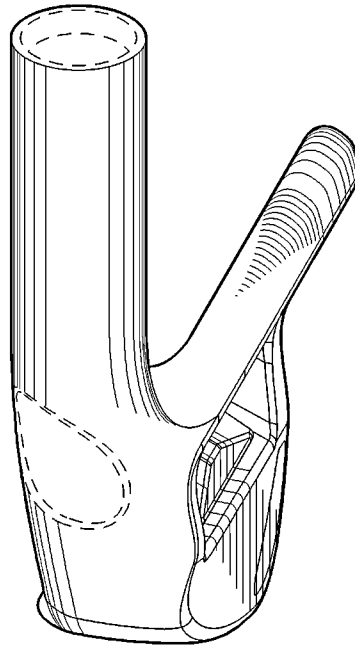
*Fig. 5*



*Fig. 6*



*Fig. 7*



*Fig. 8*