



US 20120178550A1

(19) **United States**

(12) **Patent Application Publication**  
**Solheim et al.**

(10) **Pub. No.: US 2012/0178550 A1**

(43) **Pub. Date: Jul. 12, 2012**

(54) **GOLF CLUB HEADS WITH APERTURES AND METHODS TO MANUFACTURE GOLF CLUB HEADS**

(22) Filed: **Jan. 3, 2012**

**Related U.S. Application Data**

(60) Provisional application No. 61/429,692, filed on Jan. 4, 2011.

(76) Inventors: **John A. Solheim**, Phoenix, AZ (US); **Eric J. Morales**, Laveen, AZ (US); **Erik M. Henrikson**, Mesa, AZ (US); **Eric V. Cole**, Phoenix, AZ (US); **Paul D. Wood**, Phoenix, AZ (US); **Brad D. Schweigert**, Anthem, AZ (US); **Marty R. Jertson**, Phoenix, AZ (US)

**Publication Classification**

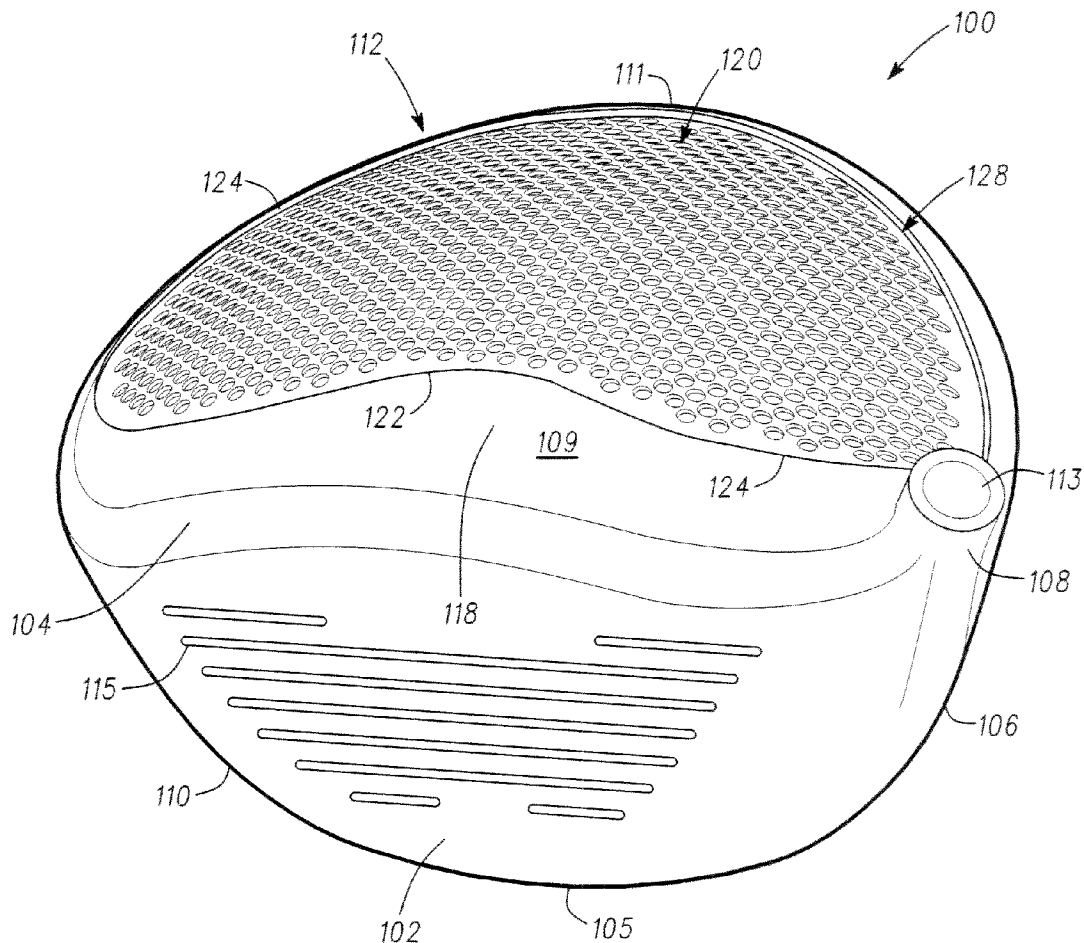
(51) **Int. Cl.**  
**A63B 53/04** (2006.01)  
**B23P 15/00** (2006.01)

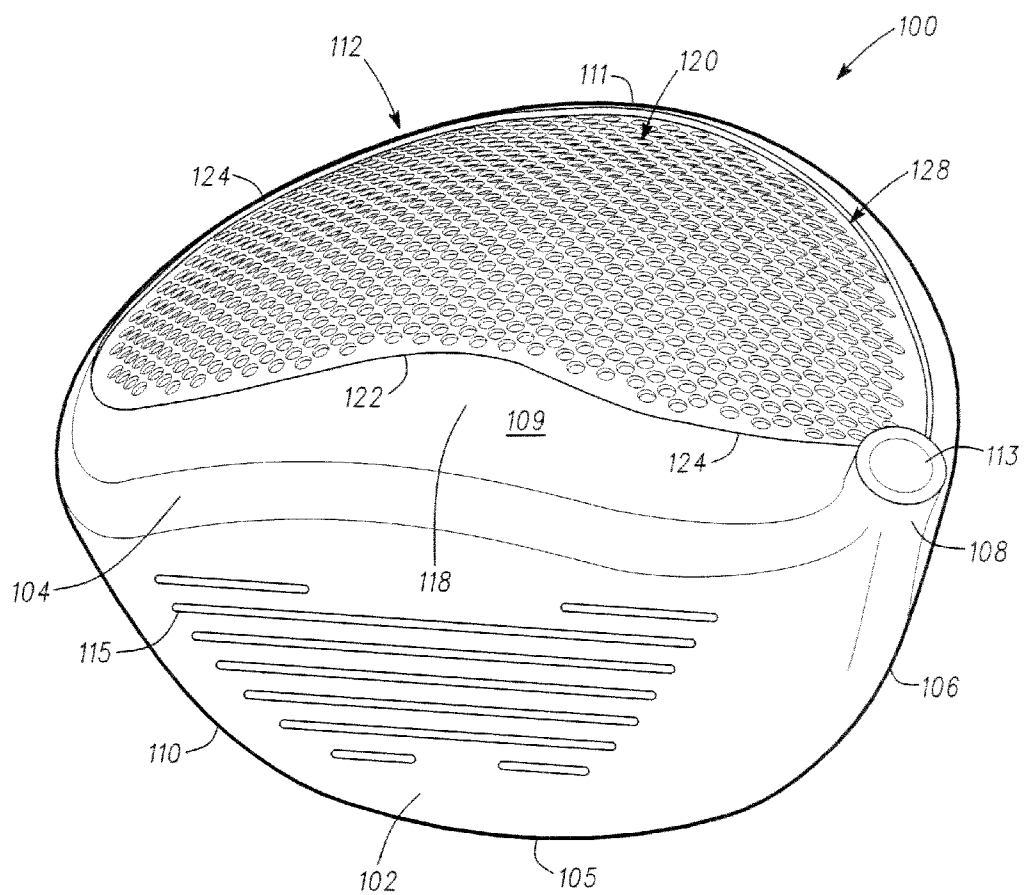
(52) **U.S. Cl.** ..... **473/346; 473/345; 29/557**

(57) **ABSTRACT**

Embodiments of golf club heads with apertures and methods to manufacture golf club heads are generally described herein. Other embodiments may be described and claimed.

(21) Appl. No.: **13/342,847**





*Fig. 1*

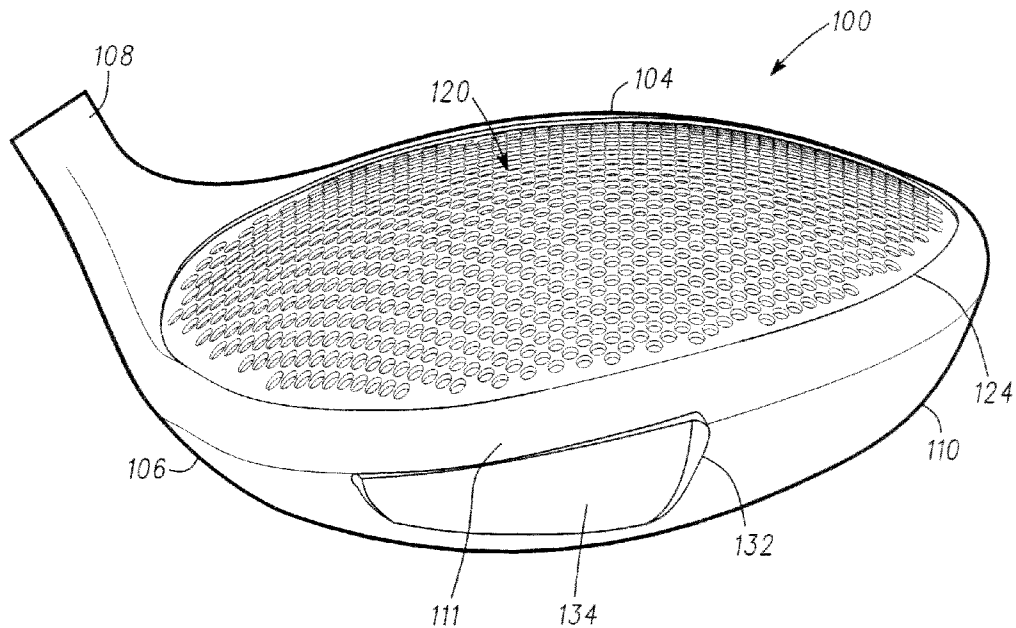


Fig. 2

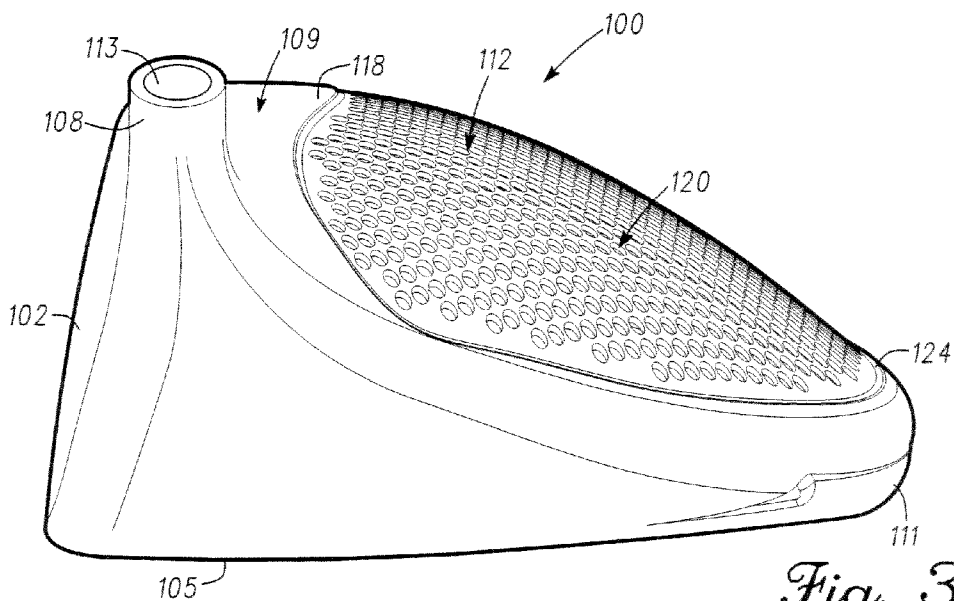
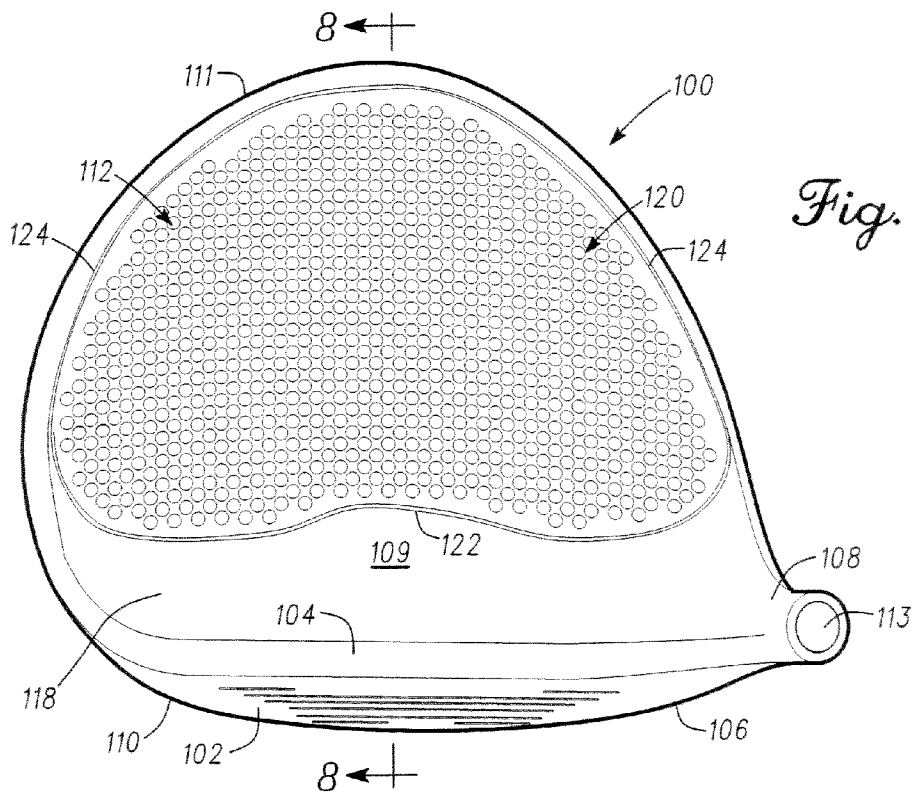
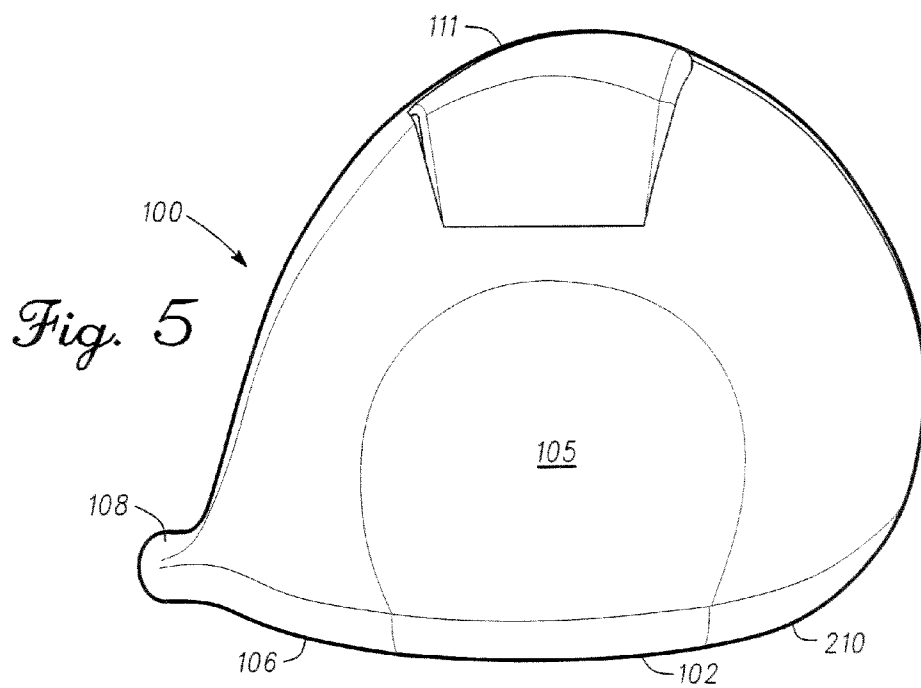


Fig. 3



*Fig. 4*



*Fig. 5*

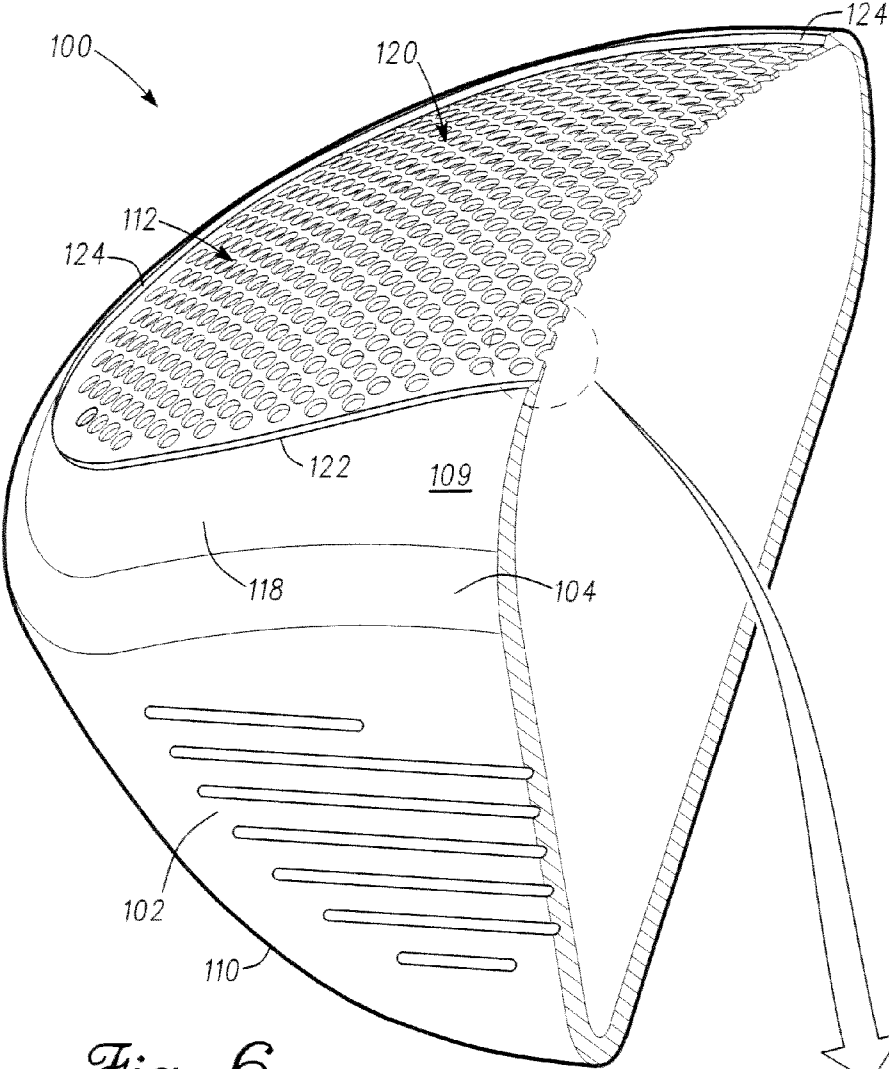


Fig. 6

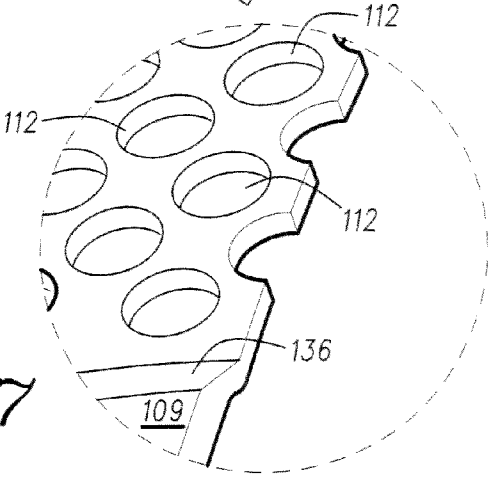


Fig. 7

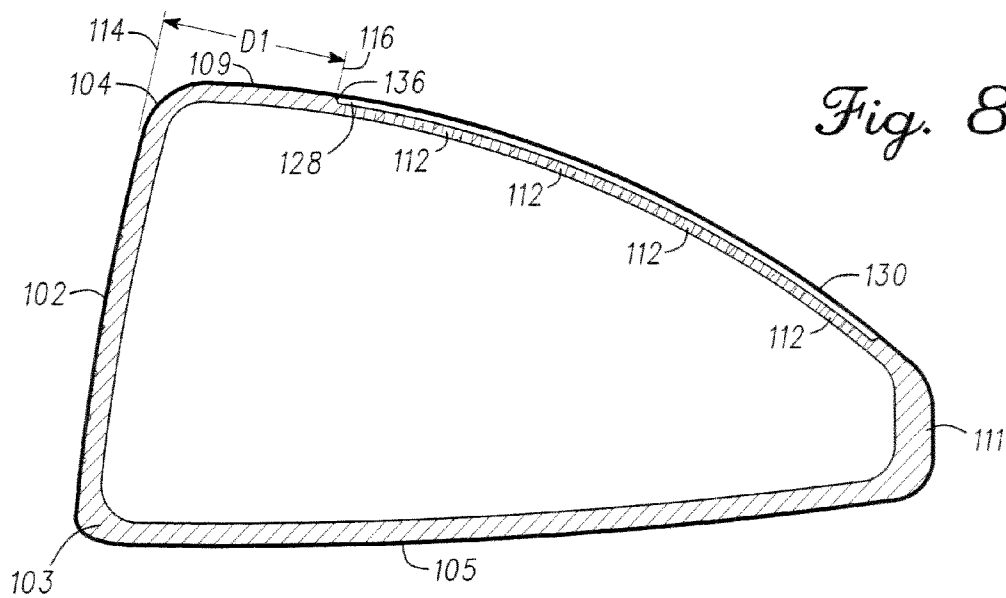


Fig. 8

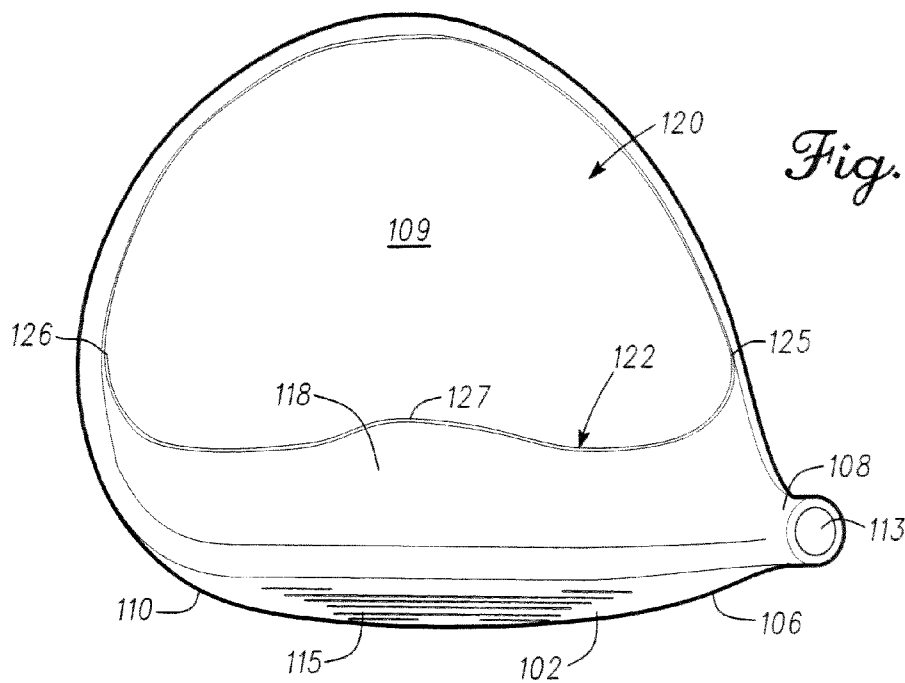


Fig. 9

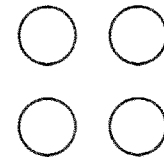
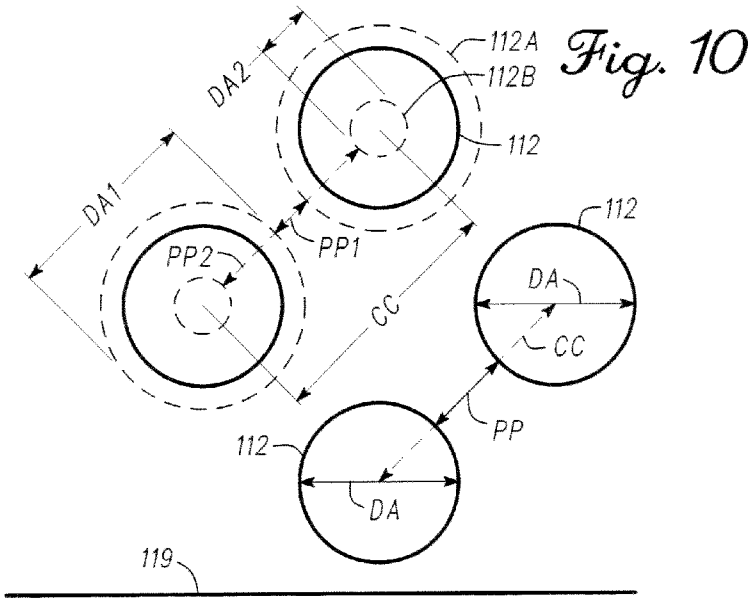


Fig. 11A

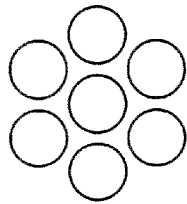


Fig. 11B

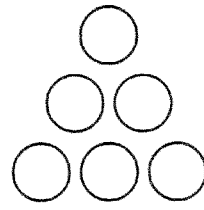


Fig. 11C

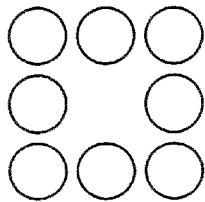


Fig. 11D

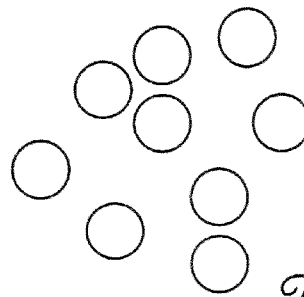
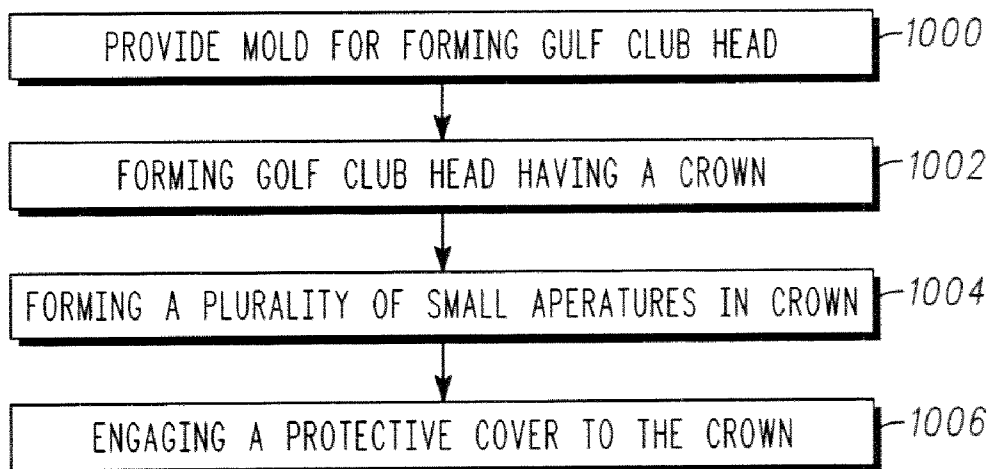


Fig. 11E



*Fig. 12*



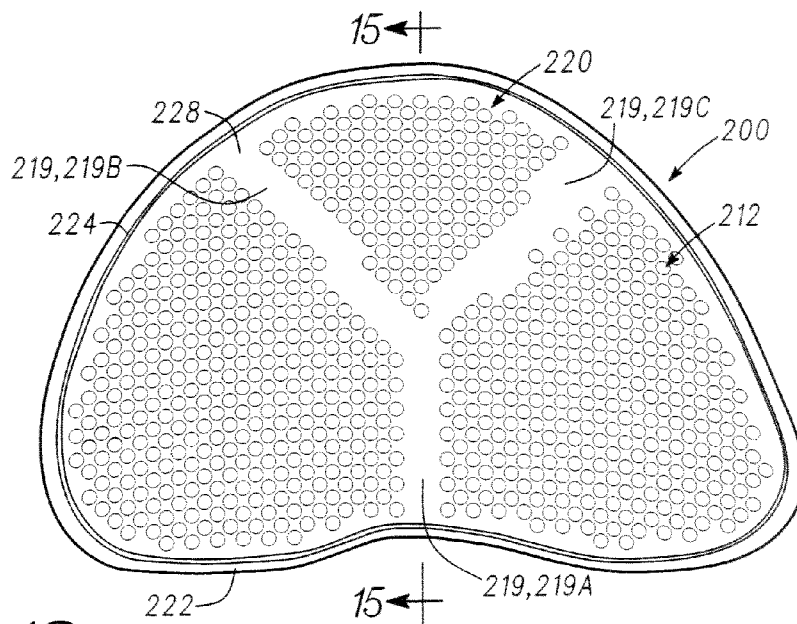


Fig. 13

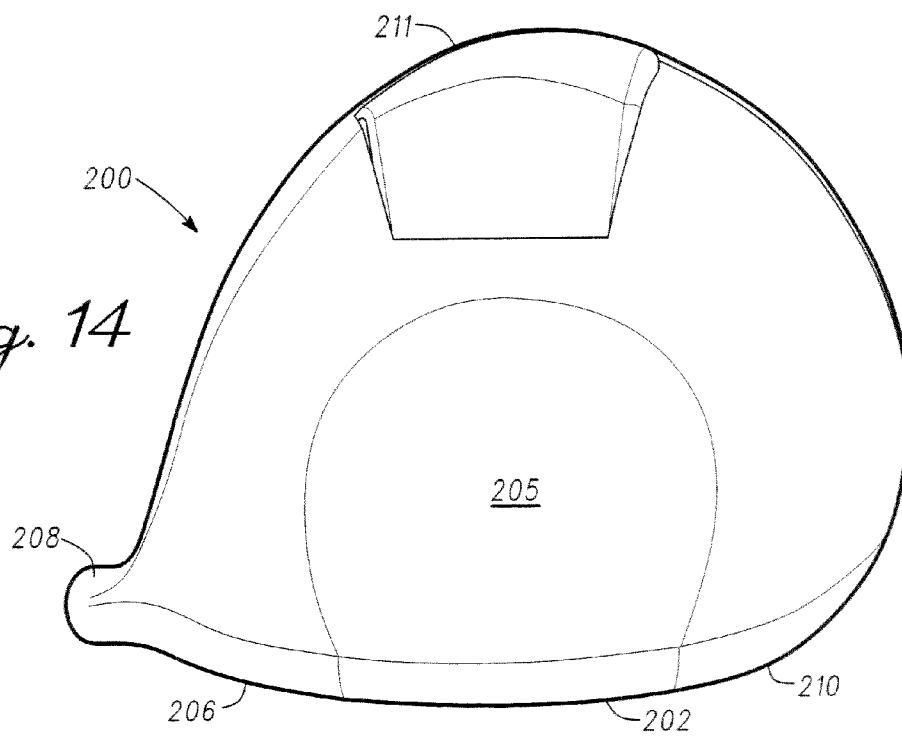
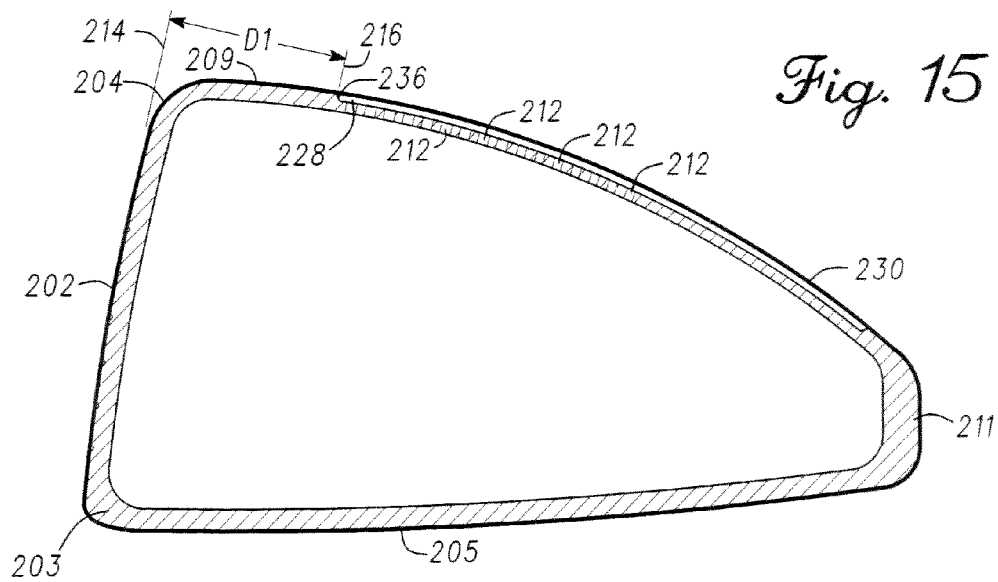
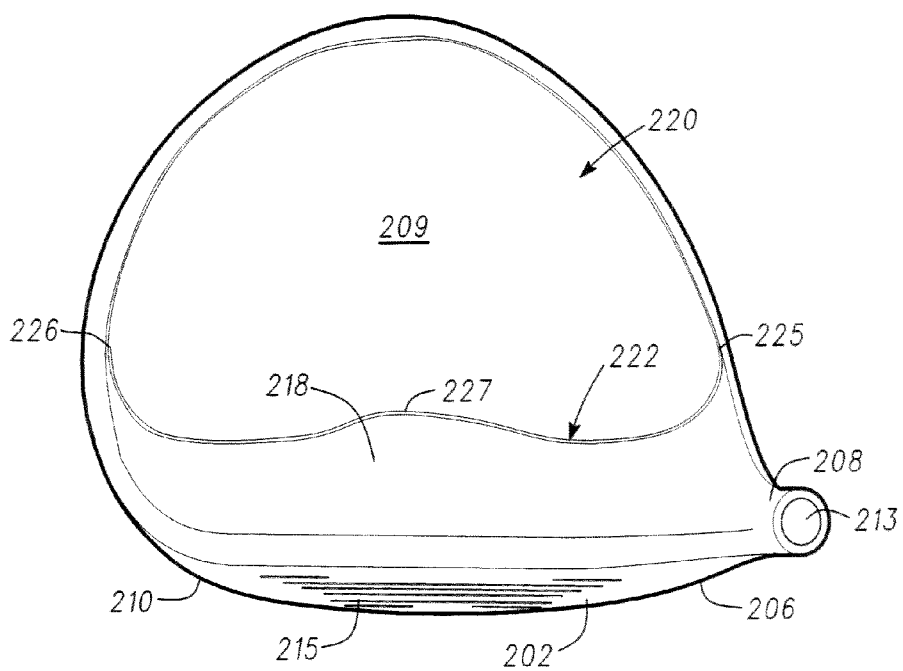


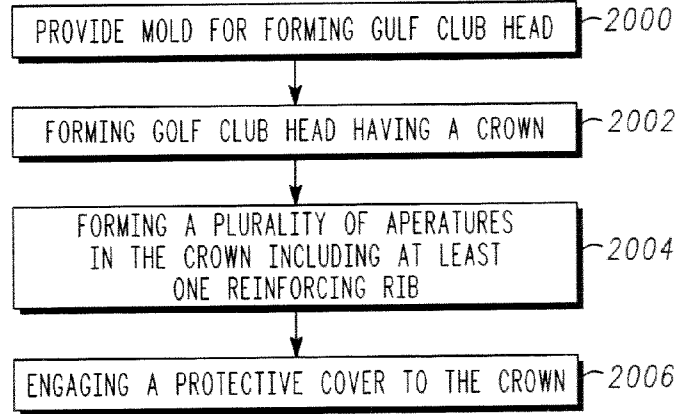
Fig. 14



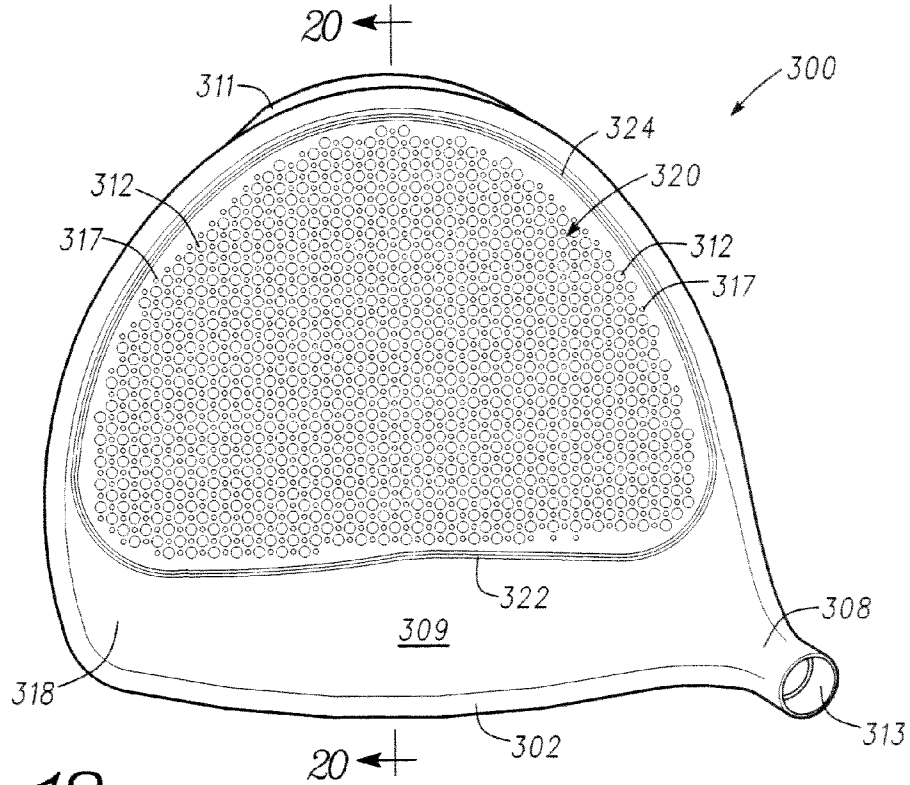
*Fig. 15*



*Fig. 16*

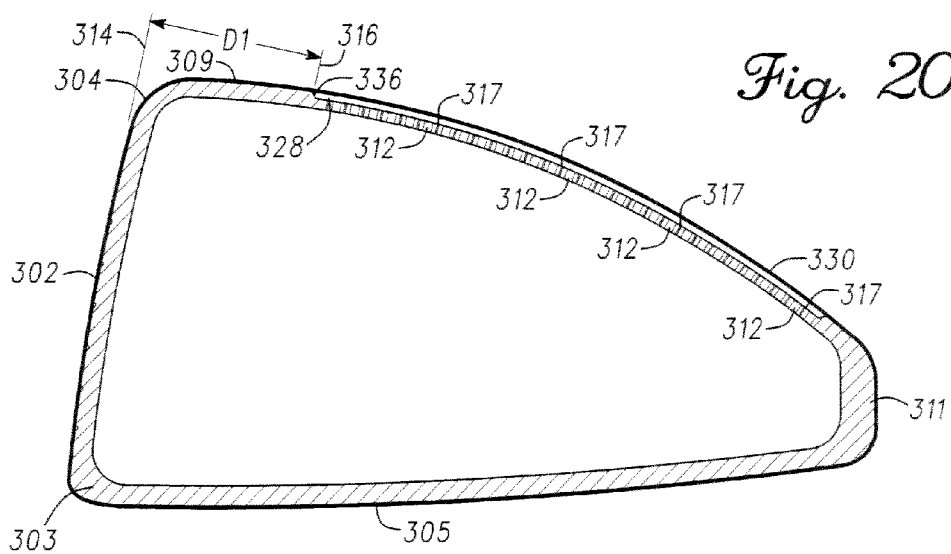
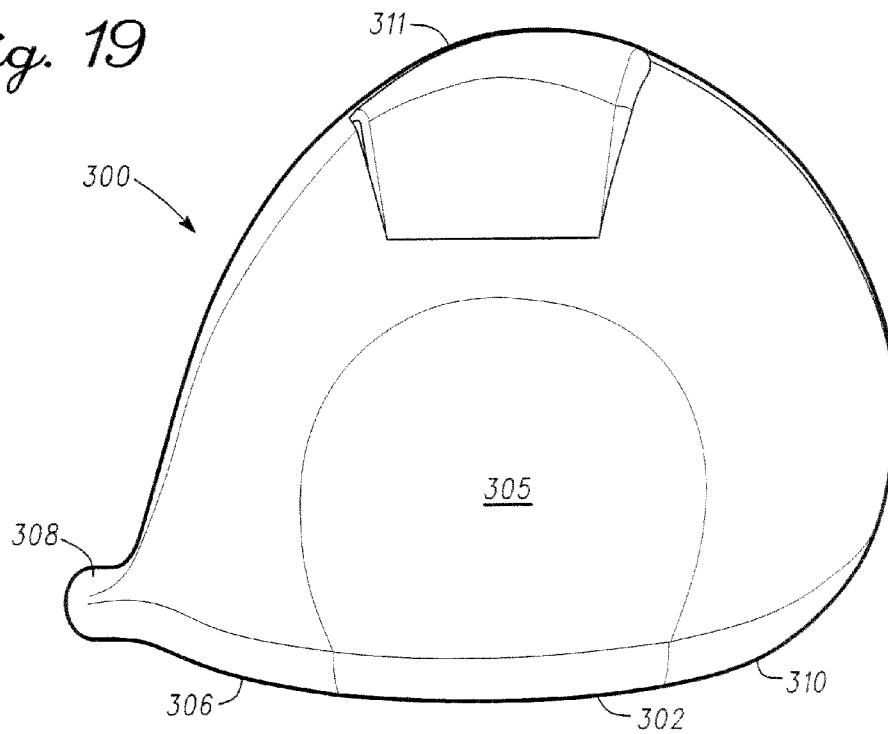


*Fig. 17*



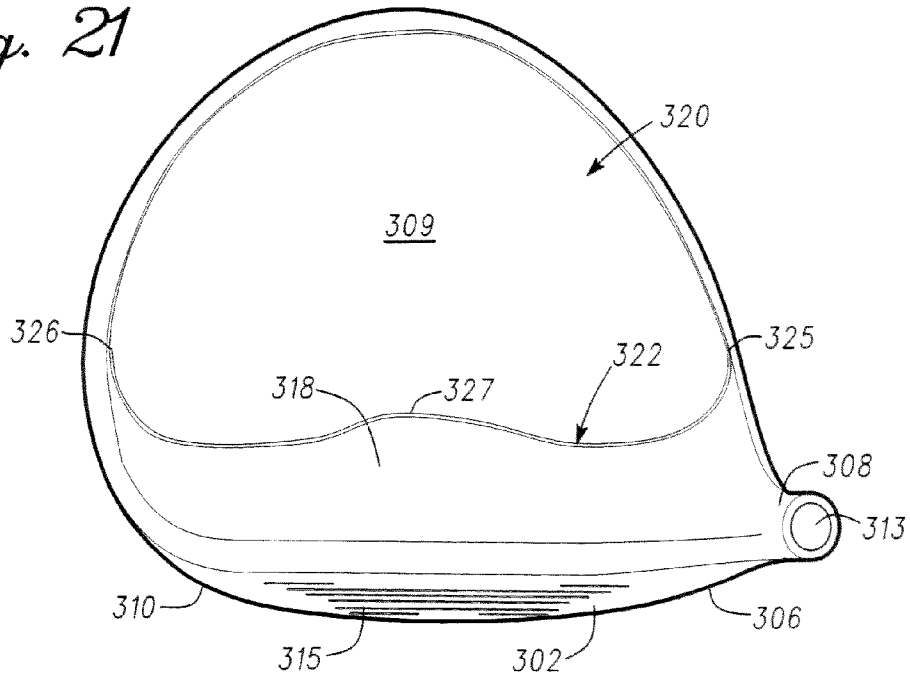
*Fig. 18*

*Fig. 19*

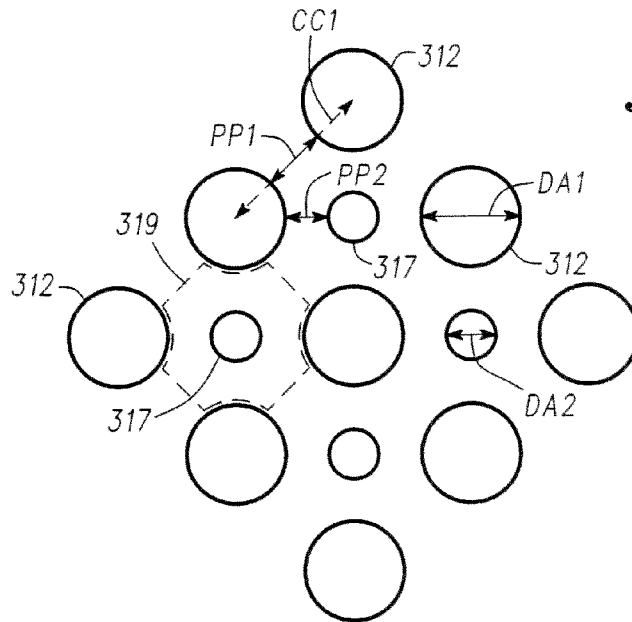


*Fig. 20*

*Fig. 21*



*Fig. 22*



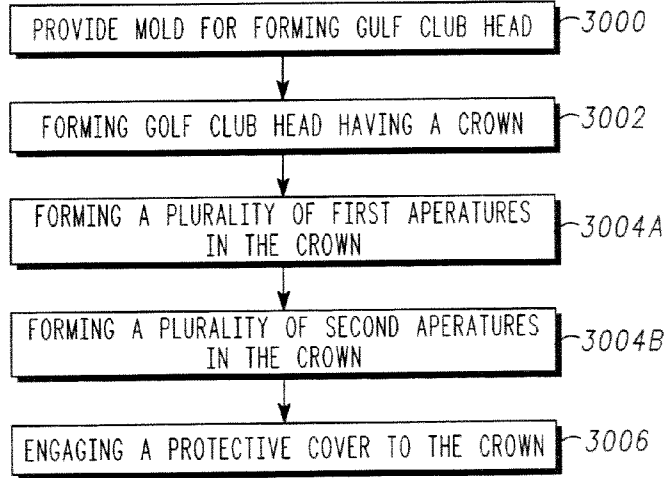
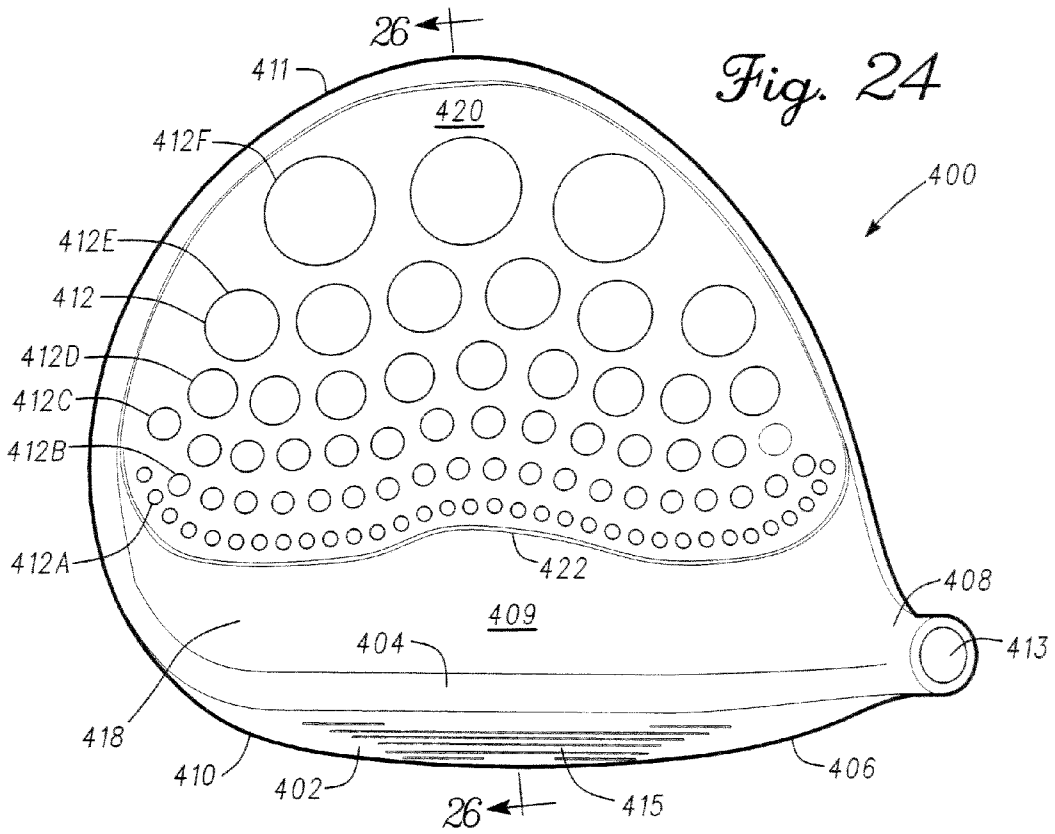
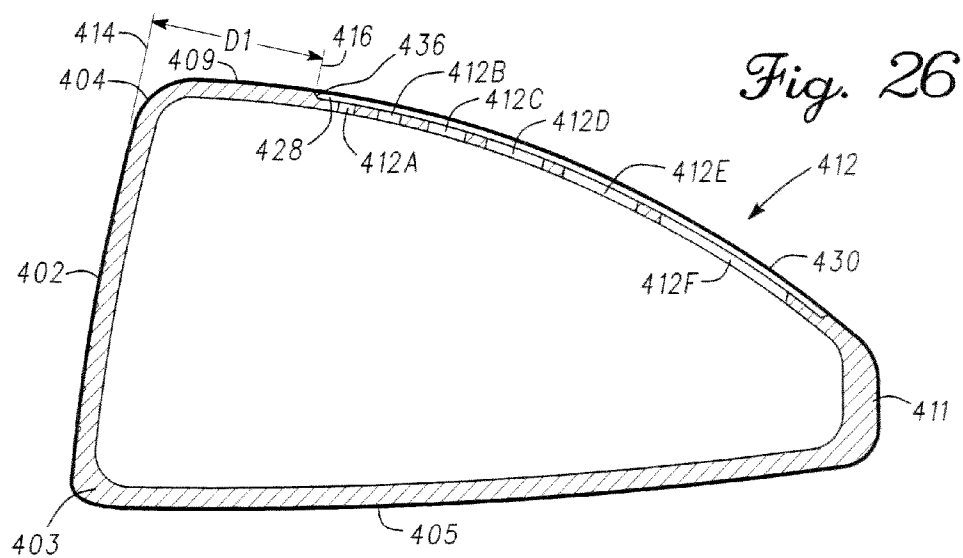
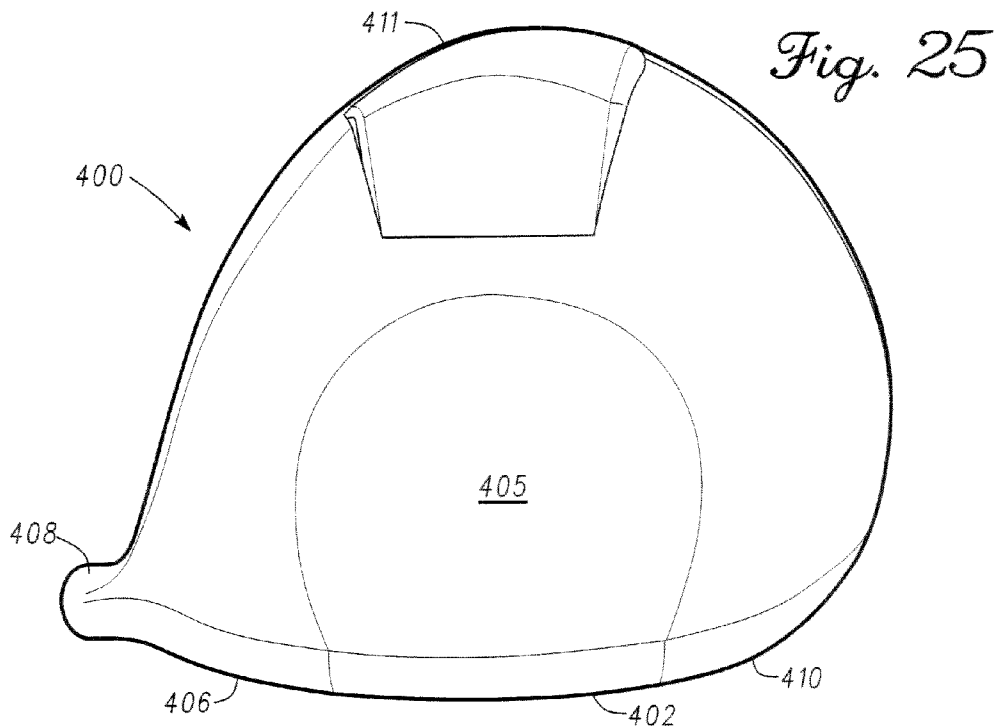
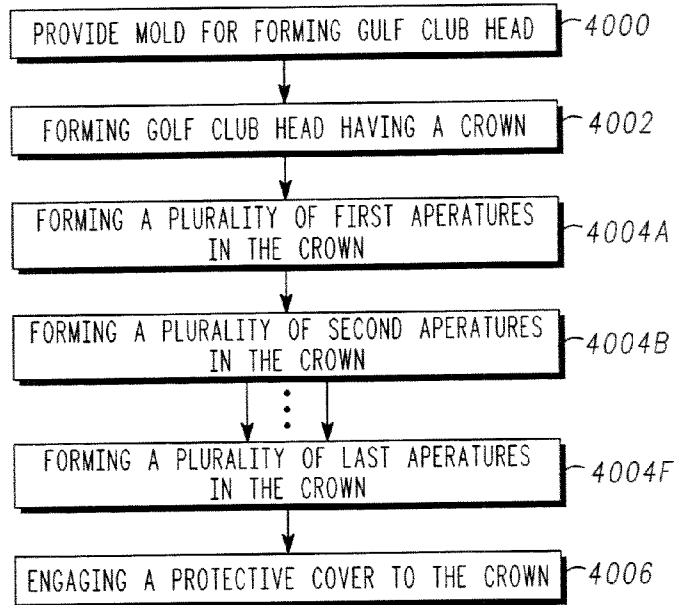
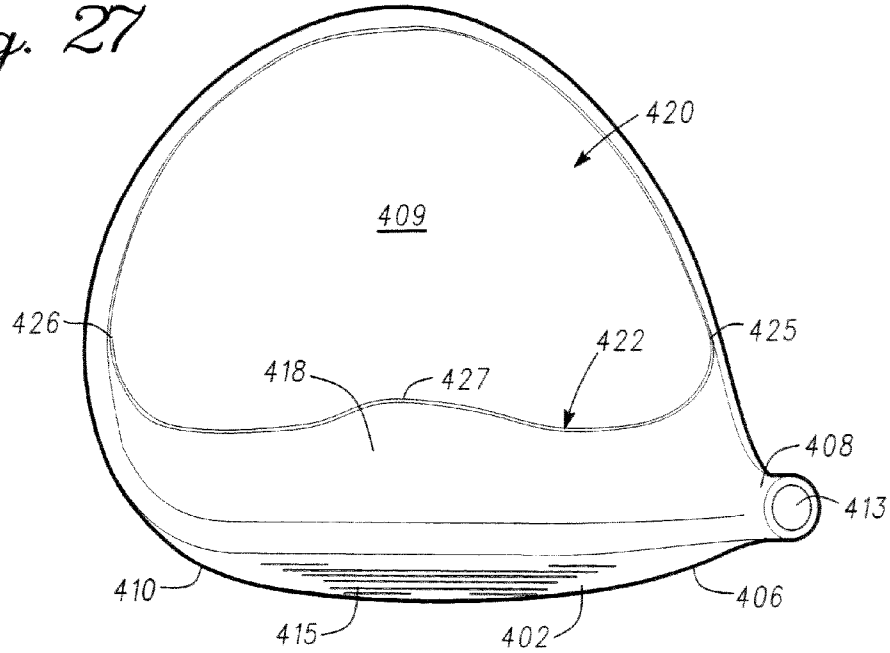


Fig. 23





*Fig. 27*



*Fig. 28*



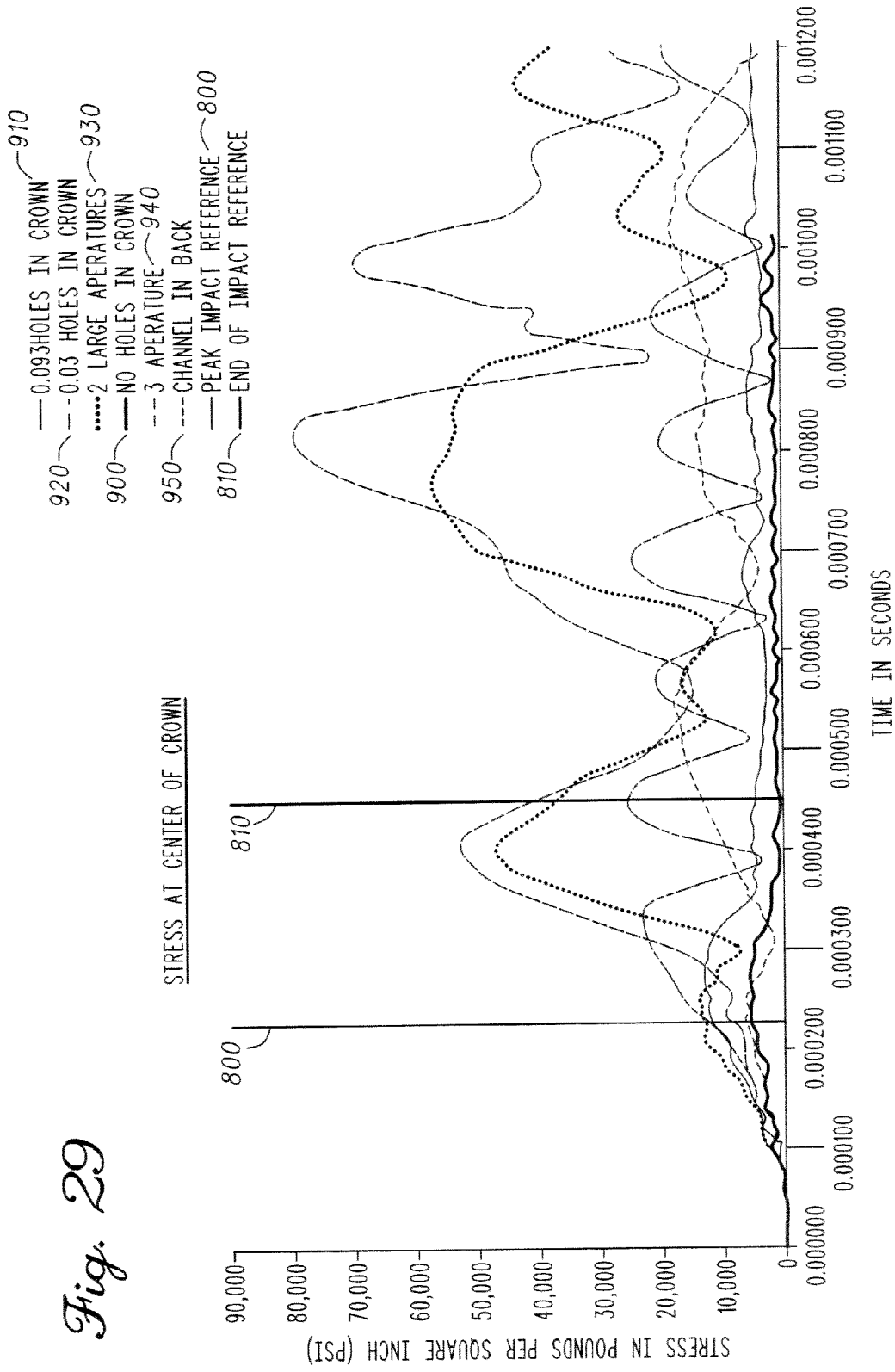
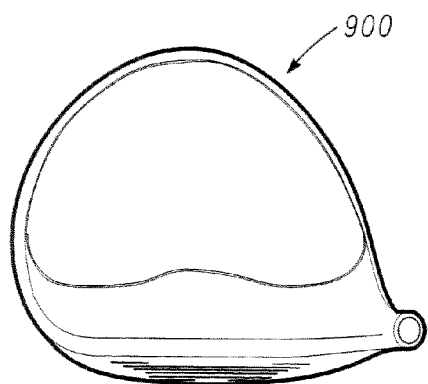
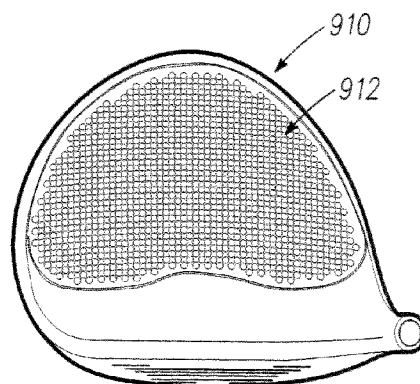


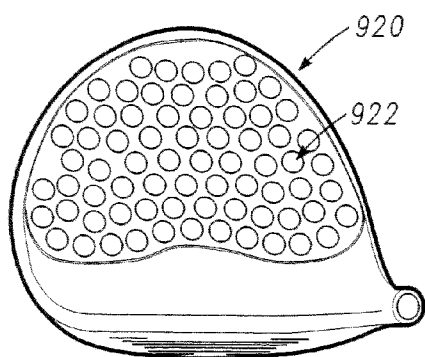
Fig. 29



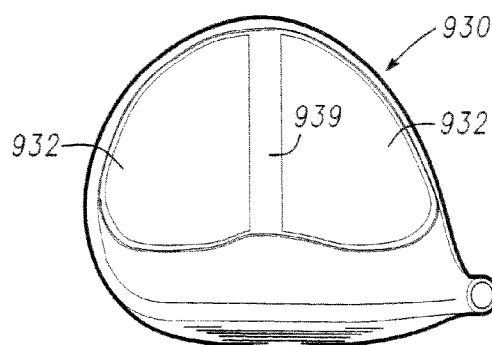
*Fig. 30*



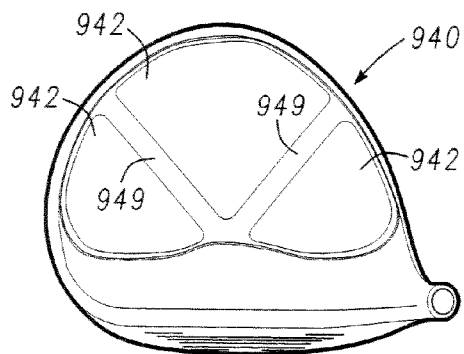
*Fig. 31*



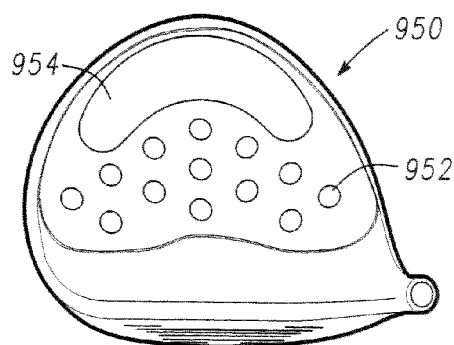
*Fig. 32*



*Fig. 33*

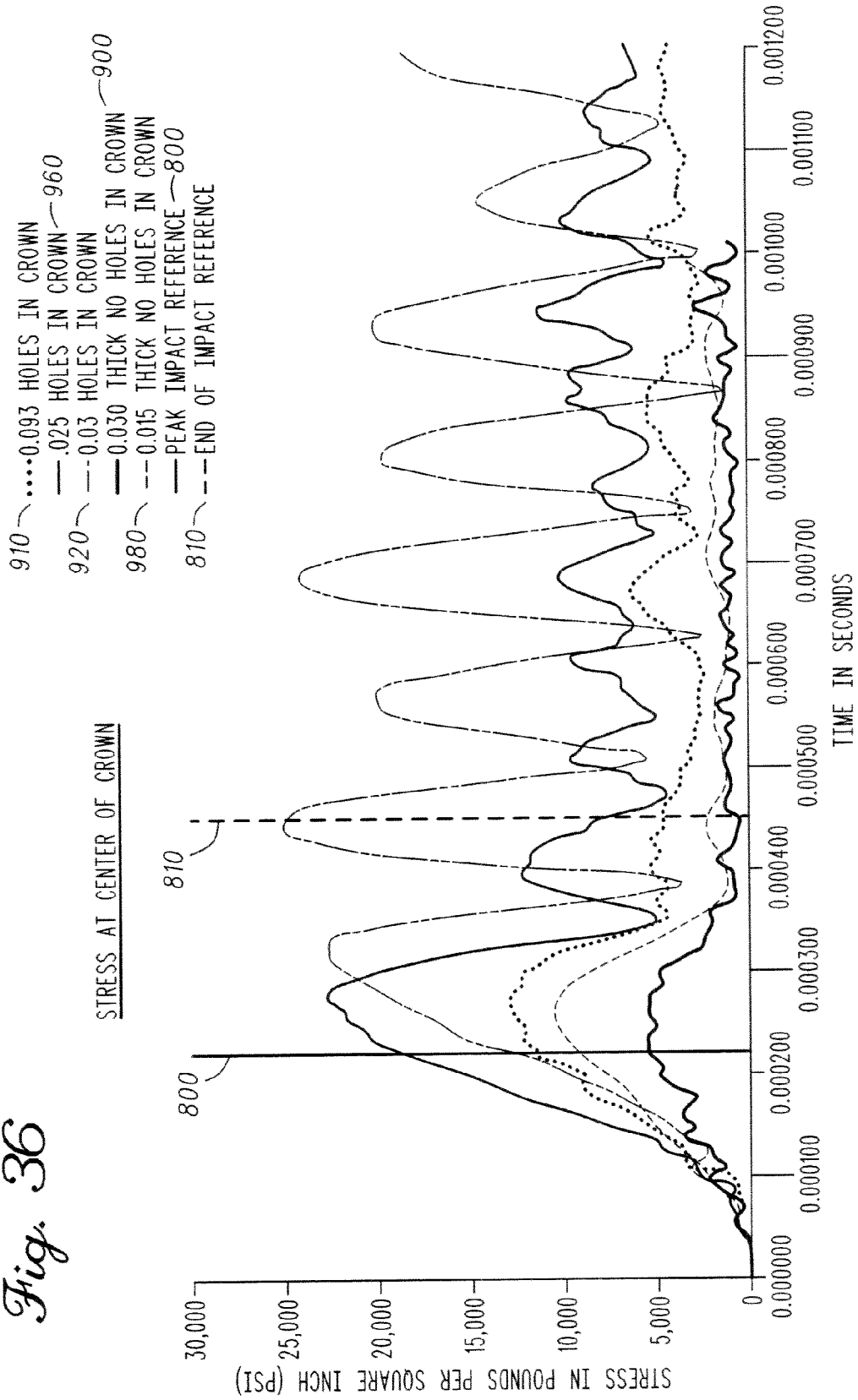


*Fig. 34*



*Fig. 35*

Fig. 36



**GOLF CLUB HEADS WITH APERTURES AND  
METHODS TO MANUFACTURE GOLF CLUB  
HEADS**

CROSS-REFERENCE TO RELATED  
APPLICATIONS

[0001] The present application claims the benefit of U.S. Provisional Patent Application Ser. No. 61/429,692, filed on Jan. 4, 2011, the entire disclosure of which is incorporated herein by reference.

FIELD

[0002] The present application generally relates to golf clubs, and more particularly, to golf club heads with apertures and methods to manufacture golf club heads.

BACKGROUND

[0003] A golf club head, and in particular the crown of the golf club head, may be divided into several regions for purposes of illustrating the effects of forces generated by the impact of a golf ball against the face of the golf club head. The first region is in communication with the impact surface defined by the face of the golf club head such that the impact of a golf ball at the face directly causes internal stresses to be generated by the impact force of the golf ball that travels through and directly affects the first region of the crown. In addition, a second region of the golf club head may be defined along the crown between the first region and the back of the golf club head such that relatively lower stress and vibration should be felt in the second region by the forces generated after the impact of a golf ball against the face in comparison to the first region of the golf club head.

[0004] Many golf club heads are formed with a number of relatively large apertures defined along the second region of the crown in order to lessen the weight of the golf club head and/or change its center of gravity. However, this arrangement of large apertures can cause a disproportionate or uneven distribution of internal stresses through the second region of the crown when a golf ball strikes the face of the golf club head. In particular, stress risers, which are pockets of concentrated stress, can develop in the material of the crown between the apertures. Stress risers are caused when internal stresses generated by the impact force of a golf ball are distributed unevenly through the second region of the crown and focused on particular portions of the golf club head. This disproportional distribution of internal stresses through the second region of the crown can cause the structural failure of the golf club head over time as the area between the apertures crack or otherwise fail because of the excessive internal stresses being generated in the second region of the crown due to the bending forces being focused on a particular area of the crown after repeated impacts with a golf ball.

BRIEF DESCRIPTION OF THE DRAWINGS

[0005] FIG. 1 is a perspective front view of one embodiment of a golf club head illustrating a plurality of apertures.  
[0006] FIG. 2 is a perspective rear view of the golf club head of FIG. 1.  
[0007] FIG. 3 is a perspective side view of the golf club head of FIG. 1.  
[0008] FIG. 4 is a top view of the golf club head of FIG. 1 illustrating the arrangement of the plurality of apertures along the crown of the golf club head.

[0009] FIG. 5 is a bottom view of the golf club head of FIG. 1.

[0010] FIG. 6 is a cross-sectional view of the golf club head of FIG. 1.

[0011] FIG. 7 is an enlarged view of FIG. 6 illustrating the plurality of apertures defined within a recess of the golf club head.

[0012] FIG. 8 is a simplified illustration of the golf club head of FIG. 1 showing a first plane and the parallel association of the first plane with a loft plane defined by a face of the golf club head for illustrating the division between a first region and a second region of the golf club head.

[0013] FIG. 9 is a top view of the golf club head of FIG. 1 showing the division of the golf club head into the first region and the second region by a bell-shaped curve established by the first plane.

[0014] FIG. 10 is a schematic diagram of four apertures of the plurality of apertures of the golf club head of FIG. 1.

[0015] FIGS. 11A-E are schematic diagrams of a plurality of apertures according to various embodiments.

[0016] FIG. 12 is a flow chart illustrating a method of manufacturing the golf club head of FIG. 1.

[0017] FIG. 13 is a top view of a portion of a crown of a golf club head according to another embodiment illustrating the arrangement of the plurality of apertures along the crown of the golf club head.

[0018] FIG. 14 is a bottom view of the golf club head of FIG. 13.

[0019] FIG. 15 is a simplified illustration of the golf club head of FIG. 13 showing a first plane and the parallel association of the first plane with a loft plane defined by a face of the golf club head for illustrating the division between a first region and a second region of the golf club head.

[0020] FIG. 16 is a top view of the golf club head of FIG. 13 showing the division of the golf club head into the first region and the second region by a bell-shaped curve established by the first plane.

[0021] FIG. 17 is a flow chart illustrating a method of manufacturing the golf club head of FIG. 13.

[0022] FIG. 18 is a top view of a golf club head according to another embodiment illustrating the arrangement of the plurality of apertures along the crown of the golf club head.

[0023] FIG. 19 is a bottom view of the golf club head of FIG. 18.

[0024] FIG. 20 is a simplified illustration of the golf club head of FIG. 18 showing a first plane and the parallel association of the first plane with a loft plane defined by a face of the golf club head for illustrating the division between a first region and a second region of the golf club head.

[0025] FIG. 21 is a top view of the golf club head of FIG. 18 showing the division of the golf club head into the first region and the second region by a bell-shaped curve established by the first plane.

[0026] FIG. 22 is a schematic diagram of several apertures of the plurality of apertures of the golf club head of FIG. 18.

[0027] FIG. 23 is a flow chart illustrating a method of manufacturing the golf club head of FIG. 18.

[0028] FIG. 24 is a top view of a golf club head according to another embodiment illustrating the arrangement of the plurality of apertures along the crown of the golf club head.

[0029] FIG. 25 is a bottom view of the golf club head of FIG. 24.

[0030] FIG. 26 is a simplified illustration of the golf club head of FIG. 24 showing a first plane and the parallel asso-

ciation of the first plane with a loft plane defined by a face of the golf club head for illustrating the division between a first region and a second region of the golf club head.

[0031] FIG. 27 is a top view of the golf club head of FIG. 24 showing the division of the golf club head into the first region and the second region by a bell-shaped curve established by the first plane.

[0032] FIG. 28 is a flow chart illustrating a method of manufacturing the golf club head of FIG. 24.

[0033] FIG. 29 is a graph illustrating stress profiles of golf club heads according to several embodiments.

[0034] FIGS. 30-35 are several embodiments of golf club heads used for the stress profiles illustrated in FIG. 29.

[0035] FIG. 36 is another graph illustrating stress profiles of golf club heads according to several embodiments.

[0036] Corresponding reference characters indicate corresponding elements among the view of the drawings. The headings used in the figures should not be interpreted to limit the scope of the claims.

#### DETAILED DESCRIPTION

[0037] A golf club head may be divided into several regions for purposes of illustrating the effects of forces generated by the impact of a golf ball against face of the golf club head. As noted above, the first region is in communication with the impact surface defined by the face of the golf club head such that the impact of a golf ball at the face directly causes internal stresses generated by the force of the impact with the golf ball to travel through and directly affect the first region of the golf club head. A second region of the golf club head may be defined between the first region and the back of the golf club head such that a relatively lower stress and vibration are experienced in the second region by the forces generated after the impact of a golf ball against the face in comparison to the first region.

[0038] Referring to the drawings, an embodiment of a golf club head is illustrated and generally indicated as 100 in FIG. 1. In general, the golf club head 100 may include a face 102, a sole 105, a heel 106, a toe 110, and a plurality of grooves 115. The golf club head 100 may be a single piece or include multiple portions manufactured together. In one example, the golf club head 100 may be a hollow body formed by a casting process or other suitable type of manufacturing process. In addition, the face 102 may be an integral part of the golf club head 100. Alternatively, the face 102 may be a separate piece from or an insert for a body of the golf club head 100.

[0039] The golf club head 100 includes a hosel 108 that defines an aperture 113 configured to engage a shaft (not shown). In particular, the shaft may engage the golf club head 100 on one end and engage a grip (not shown) on an opposite end. For example, the golf club head 100 may be a wood-type golf club, such as a driver-type golf club head, a fairway wood-type golf club head (e.g., 2-wood golf club, 3-wood golf club, 4-wood golf club, 5-wood golf club, 6-wood golf club, 7-wood golf club, 8-wood golf club, or a 9-wood golf club), a hybrid-type golf club head or any other suitable type of golf club head with a hollow body or a body with one or more cavities, apertures, recesses or channels. Although the above examples may depict and/or describe a wood-type golf club head (e.g. driver-type golf club head, a fairway-type golf club head, a hybrid-type golf club head), the apparatus, articles of manufacture, and methods described herein may be applicable to other suitable types of golf club heads.

[0040] In addition, the face 102 may be formed adjacent the hosel 108 and provides a surface for striking a golf ball (not shown). The face 102 may be made from one or more metals or metal alloys such as a steel material, a titanium material, a titanium alloy material, a titanium-based material, a combination thereof, one or more composite materials, one or more plastic materials, or other suitable type of materials; however, the face 102 may be made from the same material(s) that constitute the golf club head 100 as described in greater detail below. In particular, the face 102 may include a plurality of grooves, generally shown as 115 in FIG. 1. The golf club head 100 further includes a back 111 formed opposite the face 102 with the sole 105 being defined between the back 111 and the face 102. As further shown, a crown 109 is formed opposite the sole 105, while the face 102 is defined by the heel 106 formed adjacent the hosel 108 and the toe 110 defined at the far end of the face 102. The face 102 further includes a top edge 104 defined between the crown 109 and the face 102 as well as a leading edge 103 defined between the sole 105 and the face 102. In one embodiment, the back 111 may define a cavity 132 configured to receive an insert 134 in order to change the center of gravity and the moment of inertia of the golf club head 100; however, the apparatus, articles of manufacture, and methods described herein are not limited in this regard. Although the golf club head 100 may conform to rules and/or standards of golf defined by various golf standard organizations, governing bodies, and/or rule establishing entities, the apparatus, articles of manufacture, and methods described herein are not limited in this regard.

[0041] Referring to FIG. 9, in one embodiment the crown 109 may include a first region 118 and a second region 120 with a bell-shaped curve 122 that may define the boundary between the first and second regions 118 and 120. Details of the bell-shaped curve are provided in U.S. Pat. No. 7,892,111, the entire disclosure of which is incorporated by reference. The first region 118 may sustain and endure relatively more stress than the second region 120 in response to an impact on the face 102 of the golf club head 100 by an object such as a golf ball (not shown). In one example, the bell-shaped curve 122 may include a first point 125, a second point 126 and a third point 127. The first point 125 may be located at or proximate the toe 110 of the golf club head 100, while the second point 126 may be located at or proximate the heel 106 of the golf club head 100. The third point 127 may be located at or proximate a midpoint defined between the first and second points 125 and 126 with the third point 127 being defined closer to the back 111 of the golf club head 100 than first and second points 125 and 126.

[0042] As shown in FIG. 8, the bell-shaped curve 122 that defines the boundary between the first and second regions 118 and 120 of the crown 109 may be determined by the relationship between a loft angle 114 of the face 102 and a first plane 116 separated by a predetermined distance D1. In one embodiment, the predetermined distance D1 may be defined as the distance between the top edge 104 of the face 102 and the first plane 116 at the location where first plane 116 intersects the crown 109. For example, the predetermined distance D1 may be greater than one inch. Alternatively, the predetermined distance D1 may be defined as the distance between the leading edge 103 of the face 102 and the location of the first plane 116 where the first plane 116 intersects the sole 105. In addition, the position of the first plane 116 may be established by the orientation or angle of the loft angle 114 of the golf club head 100. In one embodiment, the loft angle 114 may be

established by the angle of the face **102** for a particular golf club head **100**. For example, the loft angle **114** for a driver-type golf club head may range between 6° to 16°, while the loft angle **114** for a fairway-type golf club head may range between 12° to 30°. The loft angle **114** for a hybrid-type golf club head may range between 16° to 34°. As such, the location of the bell-shaped curve **122** along the crown **109**, may be determined by the intersection of the first plane **116** with the crown **109** to establish the location of either the first and second points **125** and **126** (FIG. 9), or the third point **127** of the bell-shaped curve **122**.

**[0043]** Referring to FIGS. 1-7, one embodiment of the golf club head **100** may further include a plurality of apertures **112** formed within a recess **128** defined by a perimeter **124** located in the second region **120** of the crown **109**. In one example, the bell-shaped curve **122** may define a portion of the perimeter **124** that communicates with the first region **118**. The recess **128** may also form a recess lip **136** defined along the perimeter **124** such that the recess **128** is positioned relatively lower on the crown **109** than the first region **118**.

**[0044]** FIG. 10 shows a schematic view of four of the apertures **112**. Each aperture **112** may have a diameter DA and be spaced apart from an adjacent aperture by a perimeter-to-perimeter distance PP and a center-to-center distance CC. If the apertures **112** are spaced apart at a fixed distance CC, the diameter DA and the distance PP inversely affect each other since increasing the diameter DA reduces the distance PP and decreasing the diameter DA increases the distance PP. For example, as shown by the apertures **112A** (i.e., larger aperture shown with dashed lines), the diameter DA<sub>1</sub> is larger than the diameter DA of the apertures **112**. Accordingly, the distance PP<sub>1</sub> is smaller than the distance PP. In another example, as shown by apertures **112B** (i.e., smaller aperture shown with dashed lines); the diameter DA<sub>2</sub> is smaller than the diameter DA of the apertures **112**. Accordingly, the distance PP<sub>2</sub> is larger than the distance PP.

**[0045]** The apertures **112A** may represent a maximum aperture size for the fixed distance CC. Any aperture size larger than the noted maximum may reduce the distance PP to such an extent that the strength and structural resilience of the golf club head **100** may be compromised. The maximum aperture size, however, may vary depending on physical properties of the golf club head, such as materials from which the crown **109** is constructed and/or thickness of the crown **109**. For example, increased rigidity in the material from which the crown **109** is constructed may allow a greater maximum aperture size.

**[0046]** The apertures **112B** may represent a minimum aperture size for the fixed distance CC. Any aperture size smaller than the noted minimum may diminish the properties imparted on the golf club head due to having the apertures **112** on the crown **109** as described herein. The minimum aperture size, however, may vary depending on physical properties of the golf club head, such as materials from which the crown is constructed and/or thickness of the crown. For example, reduced rigidity in the material from which the crown **109** is constructed may reduce the minimum allowable aperture size.

**[0047]** Referring to FIG. 10, a line **119** schematically and generally represents the face **102**. The apertures **112** are arranged in a diamond pattern relative to the line **119**. However, any aperture pattern and/or orientation may be used to provide the properties for the golf club head as described herein.

**[0048]** Referring to FIGS. 11A-E, several examples of different aperture patterns are shown. In FIG. 11A, the apertures **112** are arranged in a square pattern. In FIG. 11B, six apertures **112** surround a center aperture **112** to resemble a hexagonal pattern. In FIG. 11C, the apertures **112** are arranged in a triangular pattern. In FIG. 11D, the apertures **112** are arranged in a large square pattern with a large center section **121** that does not include any apertures. In FIG. 11E, the apertures **112** are arranged in a random pattern. The patterns of FIGS. 11A-E are exemplary and illustrate the numerous possibilities for aperture patterns on the crown. Furthermore, if the apertures **112** have different sizes, then the number of possible aperture patterns may increase.

**[0049]** In the above exemplary description of FIG. 10, the distance CC was assumed to be fixed while the diameter DA and the distance PP are varied. However, as illustrated in FIGS. 11A-E, any of the parameters DA, PP or CC may be varied or fixed to provide a certain aperture size, distance, pattern, orientation and/or distribution on the crown **109**. For example, if the diameter DA is fixed, i.e., a certain aperture size is preferred, then the distance CC and the distance PP directly affect each other. For example, reducing the distance CC also reduces the distance PP. In another example, if the distance PP is fixed, i.e., apertures having the same perimeter-to-perimeter distance PP are preferred, then both the distance CC and the diameter DA may be varied to provide a preferred distribution configuration of apertures **112** on the crown **109**. Thus, any one or more of the parameters DA, PP and CC can be changed for each pair of adjacent apertures **112** to provide certain aperture sizes, inter-aperture distances, patterns, orientation and/or distribution patterns on the crown **109**.

**[0050]** In one example, a ratio of the distance PP to the diameter DA may be fixed according to the following formula:

$$PP=DA \cdot R$$

**[0051]** Where R represents a constant. R may be determined based on experimental results, some of which are provided in detail below. According to one example, experimental results with different aperture configurations have pointed to R having a value of 1.23 for a golf club head having certain physical characteristics and material properties to provide sufficient strength and structural resilience to the golf club head while removing near optimum or optimum amount of mass from the crown. The noted experimental results are described in detail herein. Accordingly, if the diameter DA is 0.093" (0.2 cm), the distance PP is 0.115" (0.3 cm).

**[0052]** In one aspect, the plurality of apertures **112** located in the recess within the second region **120** of the crown **109** removes mass from one portion of the golf club head **100** and moves that mass to another more optimal location of the golf club head **100**, while still providing sufficient strength and structural resilience to the golf club head **100**. In addition, the plurality of apertures **112** provides a generally more even distribution of forces through the crown **109** after impact of the face **102** with a golf ball (not shown) as compared to a crown **109** without having any apertures. This structural arrangement of a plurality of apertures **112** prevents impact forces on the face **102** from being focused at particular portions of the golf club head **100** during travel of these forces through the second region **120** of the crown **109**, and in particular to those portions of the crown **109** defined between the plurality of apertures **112**. This generally more even distribution of force through the crown **109** after impact by the

plurality of apertures **112** also prevents structural failure of the golf club head **100** over time that can be caused by stress risers or stress collectors focusing impact forces at particular areas of the crown **109** caused by the uneven distribution of these forces through the second region **120** after impact as discussed above.

**[0053]** In one embodiment, a protective cover **130** may be engaged to the crown **109** to cover the plurality of apertures **112**. The protective cover **130** may be constructed from any type of metallic, artificial or natural materials. For example, the protective cover **130** may be a film or tape made from a polycarbonate or polymeric material having an adhesive on one side that permits the protective cover **130** to adhere to and cover either a portion or the entire crown **109**. In some embodiments, the protective cover **130** may be made from a polycarbonate material that exhibits high impact-resistance, while also having low scratch-resistance. In other embodiments, the protective cover **130** may be made from any type of polymeric material, such as polyethylene, neoprene, nylon, polystyrene, polypropylene or combinations thereof. In another embodiment the protective cover **130** may be a rigid cover made from the same material(s) discussed above that allow for structural engagement of the protective cover **130** along the perimeter **124** of the recess **128** to cover the plurality of apertures **112**. In either of these arrangements, the protective cover **130** permits the area of the second region **120** of the crown **109**, for example the area of the recess **128**, to be at the same level as the first region **118** of the crown **109**; however, the protective cover **130** does not have to provide any structural reinforcement to the crown **109** that is necessary for protective covers used with prior art golf club heads having larger apertures. The apparatus, articles of manufacture, and methods described herein are not limited in this regard.

**[0054]** While the above embodiments may describe a golf club head **100** including a recess (e.g., recess **128**), the apparatus, articles of manufacture, and methods described herein may not include a recess. For example, the plurality of apertures **112** may be defined along the second region **120** of the crown **109** such that the second region **120** is flush with the first region **118**. As such, some embodiments of the golf club head **100** do not require either a recess **128** to define an area for forming the plurality of apertures **112** and/or a protective cover **130** to encase or otherwise cover the plurality of apertures **112**.

**[0055]** In other embodiments, each of the plurality of apertures **112** may have a range of diameters. The diameter of each aperture **112** of the plurality of apertures **112** may be between 0.005 inches to 0.40 inches (e.g., 0.0127 cm to 1.016 cm). The lower range values may be 0.005 inches (0.0127 cm), 0.006 inches (0.0152 cm), 0.007 inches (0.0178 cm), 0.008 inches (0.0203 cm), 0.009 inches (0.0229 cm), 0.01 inches (0.0254 cm), 0.02 inches (0.0508 cm), 0.03 inches (0.0762 cm), or 0.04 inches (0.1016 cm). The upper range of the diameter of the apertures **112** may be 0.32 inches (0.813 cm), 0.33 inches (0.838 cm), 0.34 inches (0.864 cm), 0.35 inches (0.889 cm), 0.36 inches (0.914 cm), 0.37 inches (0.940 cm), 0.39 inches (0.991 cm), or 0.40 inches (0.1.016 cm).

**[0056]** In another example, the range of the diameter of each aperture **112** of the plurality of apertures **112** may be between 0.05 inches (0.127 cm) to 0.31 inches (e.g., 0.05 inches (0.127 cm), 0.06 inches (0.152 cm), 0.07 inches (0.179 cm), 0.08 inches (0.203 cm), 0.09 inches (0.229 cm), 0.10 inches (0.254 cm), 0.11 inches (0.279 cm), 0.12 inches (0.305 cm), 0.13 inches (0.330 cm), 0.14 inches (0.356 cm), 0.15

inches (0.381 cm), 0.16 inches (0.406 cm), 0.17 inches (0.432 cm), 0.18 inches (0.457 cm), 0.19 inches (0.483 cm), 0.20 inches (0.508 cm), 0.21 inches (0.533 cm), 0.22 inches (0.559 cm), 0.23 inches (0.584 cm) 0.24 inches (0.610 cm), 0.25 inches (0.635 cm), 0.26 inches (0.660 cm), 0.27 inches (0.686 cm), 0.28 inches (0.711 cm), 0.29 inches (0.737 cm), 0.30 inches (0.762 cm), or 0.31 inches (0.787 cm)). In yet another example, the diameter of each aperture **112** of the plurality of apertures **112** may be 0.022 inches (0.0559 cm), 0.020 inches (0.0508 cm), 0.018 inches (0.0457), or 0.016 inches (0.0406 cm), or may be 0.26 inches (0.660 cm), 0.27 inches (0.689), 0.28 inches (0.711 cm), or 0.29 inches (0.737 cm). In another embodiment, the diameter of each aperture **112** of the plurality of apertures **112** may be 0.093 inches (0.236 cm).

**[0057]** Although some of the above examples may describe all of the plurality of apertures **112** having an identical diameter or a substantially similar diameter, the apparatus, articles of manufacture, and methods are not limited in this regard. For example, two or more apertures of the plurality of apertures **112** may have different diameters (e.g., the diameters of the plurality of apertures **112** may vary from one aperture to another). In particular, as described in detail below, a first aperture may be associated with a first diameter and a second aperture may be associated with a second diameter. The first diameter being greater than the second diameter.

**[0058]** In one embodiment, each aperture **112** of the plurality of apertures **112** may have a diameter no greater than 0.30 inches (0.762 cm). In another embodiment, each aperture **112** of the plurality of apertures **112** may have a diameter no greater than 0.25 inches (0.635 cm). In other embodiments, the plurality of apertures **112** may have diameters no greater than 0.20 inches (0.508 cm), while other embodiments, each of the plurality of apertures **112** may have diameters no greater than 0.175 inches (0.444 cm), 0.150 inches (0.381 cm), 0.125 inches (0.312 cm), 0.100 inches (0.254), 0.093 inches (0.236 cm), 0.075 (0.191 cm), or 0.050 (0.127 cm), respectively. In addition, the number of apertures **112** defined along the second region **120** of the crown **109** depends on the diameter of the plurality of apertures **112**. For example, a golf club head **100** having an aperture diameter of 0.25 inches (0.635 cm) may have about 60 apertures, while a golf club head **100** having an aperture diameter of 0.093 inches (0.236 cm) may have about 576 apertures. In another example, a golf club head **100** having a combination of aperture diameters of 0.093 inches (0.236 cm) and 0.040 inches (0.102 cm) may have about 1500 apertures; however, the apparatus, articles of manufacture, and methods described herein are not limited in this regard. In particular, the number and/or size of the plurality of apertures **112** may vary based on the volume of the golf club head **100** (e.g., a golf club head less than or equal to 470 cc).

**[0059]** The plurality of apertures **112** may also define different configurations and sizes. For example, the plurality of apertures **112** may have a round-shaped configuration, an oval-shaped configuration, a diamond-shaped configuration, a square-shaped configuration, a rectangular-shaped configuration, a hexagon-shaped configuration, a pentagon-shaped configuration, a linear-shaped configuration, and/or a non-linear-shaped configuration. In addition, the plurality of apertures **112** may have different diameters or configurations within a particular pattern. Finally, the pattern of the apertures **112** within the second region **120** may define a repeating pattern, non-repeating pattern, symmetrical pattern and/or non-symmetrical pattern; however, the apparatus, articles of

manufacture, and methods described herein are not limited in this regard. Further, while the above examples may describe the plurality of apertures 112 being located on the crown 109 of the golf club head 100, the plurality of apertures 112 may be located on other portion(s) of a golf club head (e.g., the sole only, the crown and the sole, etc).

**[0060]** In one embodiment, the golf club head 100 may be made from steel, steel alloy, titanium, titanium alloy (e.g., titanium 6-4 or titanium 8-1-1). In other embodiments, the golf club head 100 may be made from one or more materials including titanium, titanium alloys, magnesium, magnesium alloys, titanium aluminides, fiber-based composites, and metal matrix composites or mixtures thereof. In some embodiments, the fiber-based composite may be carbon fiber, fiberglass, or KEVLAR® or combinations thereof. In some embodiments, the percentage of titanium may be 10%, 20%, 30%, 40%, 50%, 60%, 70%, 80%, 90%, or 99% for titanium alloys and 100% for a golf club head 100 made entirely of 100% titanium. In other embodiments, the percentage of fiberglass may be 10%, 20%, 30%, 40%, 50%, 60%, 70%, 80%, 90%, or 100%. In yet other embodiments, the percentage of KEVLAR® may be 10%, 20%, 30%, 40%, 50%, 60%, 70%, 80%, 90%, or 100%. In some embodiments, the KEVLAR® may be any type of para-aramid synthetic fiber. In some embodiments the percentage of carbon fiber may be 10%, 20%, 30%, 40%, 50%, 60%, 70%, 80%, 90%, or 100%. In some embodiments, the golf club head 100 may be 50% titanium and 50% of one or more of the fiber-based composite (s), although in other embodiments a golf club head according to the disclosure may constitute any of the percentages for titanium noted above in combination with one or more respective percentages of the fiber-based composite(s).

**[0061]** Referring to FIG. 12, a flow chart illustrates one method for manufacturing the golf club head 100 with a plurality of apertures 112. At block 1000, a mold (not shown) is provided for forming the golf club head 100. At block 1002, the golf club head 100 is formed using the mold having the face 102, sole 105, heel 106, toe 110, back 111, crown 109, and hosel 108 defining the aperture 113 configured to engage the shaft. In one embodiment, the crown 109 formed by the mold is defined between the back 111 and front edge 104 of the golf club head 100. In addition, the recess 128 may be defined along the crown 109 using the mold. At block 1004, the plurality of apertures 112 is formed along the crown 109. The plurality of apertures 112 may be formed using a stamping process that forms the apertures 112 entirely through the material of the crown 109. In the alternative, a plurality of small recesses (not shown) may be formed into but not entirely through the material of the crown 109 rather than the plurality of apertures 112; however, the apparatus, articles of manufacture, and methods described herein are not limited in this regard. At block 1006, the protective cover 130 may be configured to engage and cover the plurality of apertures 112 within the perimeter 124 defined along the portion of the crown 109. As discussed above, the protective cover 130 may be a film or tape made from a polycarbonate or plastic material having an adhesive on one side that permits the protective cover 130 to adhere to and cover either a portion or the entire crown 109, while in another embodiment the protective cover 130 may be rigid cover that is structurally engaged along the perimeter 124 defined by the recess 128 to cover the plurality of apertures 112. In either of these arrangements, the protective cover 130 permits the area of the second region 120 of the crown 109, for example the recess 128, to be at the same level

as the first region 118 of the crown 109; however, the apparatus, articles of manufacture, and methods described herein are not limited in this regard.

**[0062]** Although a particular order of actions is illustrated in FIG. 12, these actions may be performed in other temporal sequences. For example, two or more actions depicted in FIG. 12 may be performed sequentially, concurrently, or simultaneously. Alternatively, two or more actions depicted may be performed in reversed order. Further, one or more actions depicted in FIG. 12 may not be performed at all. The apparatus, methods, and articles of manufacture described herein are not limited in this regard.

**[0063]** Referring to FIG. 13-17, another embodiment of a golf club head is illustrated and generally indicated as 200. In general, the golf club head 200 may include a face 202, a sole 205, a heel 206, and a toe 210. The golf club head 200 may also include a plurality of grooves 215 on the face 202. The golf club head 200 may be a single piece or include multiple portions manufactured together. In one example, the golf club head 200 may be a hollow body formed by a casting process or other suitable type of manufacturing process. In addition, the face 202 may be an integral part of the golf club head 200. Alternatively, the face 202 may be a separate piece from or an insert for a body of the golf club head 200.

**[0064]** The golf club head 200 includes a hosel 208 that defines an aperture 213 configured to engage a shaft (not shown). In particular, the shaft may engage the golf club head 200 on one end and engage a grip (not shown) on an opposite end. For example, the golf club head 200 may be a wood-type golf club, such as a driver-type golf club head, a fairway wood-type golf club head (e.g., 2-wood golf club, 3-wood golf club, 4-wood golf club, 5-wood golf club, 6-wood golf club, 7-wood golf club, 8-wood golf club, or a 9-wood golf club), a hybrid-type golf club head or any other suitable type of golf club head with a hollow body or a body with one or more cavities, apertures, recesses or channels. Although the above examples may depict and/or describe a wood-type golf club head (e.g., driver-type golf club head, a fairway-type golf club head, a hybrid-type golf club head), the apparatus, articles of manufacture, and methods described herein may be applicable to other suitable types of golf club heads.

**[0065]** In addition, the face 202 may be formed adjacent the hosel 208 and provides a surface for striking a golf ball (not shown). The face 202 may be made from one or more metals or metal alloys such as a steel material, a titanium material, a titanium alloy material, a titanium-based material, a combination thereof, one or more composite materials, one or more plastic materials, or other suitable type of materials; however, the face 202 may be made from the same material(s) that constitute the golf club head 200 as described in greater detail below. In particular, the face 202 may include a plurality of grooves 215. The golf club head 200 further includes a back 211 formed opposite the face 202 with the sole 205 being defined between the back 211 and the face 202. As further shown, a crown 209 is formed opposite the sole 205, while the face 202 is defined by the heel 206 formed adjacent the hosel 208 and the toe 210 defined at the far end of the face 202. The face 202 further includes a top edge 204 defined between the crown 209 and the face 202 as well as a leading edge 203 defined between the sole 205 and the face 202. Although the golf club head 200 may conform to rules and/or standards of golf defined by various golf standard organizations, govern-



ing bodies, and/or rule establishing entities, the apparatus, articles of manufacture, and methods described herein are not limited in this regard.

[0066] Referring to FIG. 16, in one embodiment the crown 209 may include a first region 218 and a second region 220 with a bell-shaped curve 222 that may define the boundary between the first and second regions 218 and 220. Details of the bell-shaped curve are provided in U.S. Pat. No. 7,892,111. The first region 218 may sustain and endure relatively more stress than the second region 220 in response to an impact on the face 202 of the golf club head 200 by an object such as a golf ball (not shown). In one example, the bell-shaped curve 222 may include a first point 225, a second point 226 and a third point 227. The first point 225 may be located at or proximate the toe 210 of the golf club head 200, while the second point 226 may be located at or proximate the heel 206 of the golf club head 200. The third point 227 may be located at or proximate a midpoint defined between the first and second points 225 and 226 with the third point 227 being defined closer to the back 211 of the golf club head 200 than first and second points 225 and 226.

[0067] As shown in FIG. 15, the bell-shaped curve 222 that defines the boundary between the first and second regions 218 and 220 of the crown 209 may be determined by the relationship between a loft angle 214 of the face 202 and a first plane 216 separated by a predetermined distance D1. In one embodiment, the predetermined distance D1 may be defined as the distance between the top edge 204 of the face 202 and the first plane 216 at the location where first plane 216 intersects the crown 209. For example, the predetermined distance D1 may be greater than one inch. Alternatively, the predetermined distance D1 may be defined as the distance between the leading edge 203 of the face 202 and the location of the first plane 216 where the first plane 216 intersects the sole 205. In addition, the position of the first plane 216 may be established by the orientation or angle of the loft angle 214 of the golf club head 200. In one embodiment, the loft angle 214 may be established by the angle of the face 102 for a particular golf club head 200. For example, the loft angle 214 for a driver-type golf club head may range between 6° to 16°, while the loft angle 214 for a fairway-type golf club head may range between 12° to 30°. The loft angle 214 for a hybrid-type golf club head may range between 16° to 34°. As such, the location of the bell-shaped curve 222 along the crown 209, may be determined by the intersection of the first plane 216 with the crown 209 to establish the location of either the first and second points 225 and 226 (FIG. 16), or the third point 227 of the bell-shaped curve 122.

[0068] Referring to FIG. 13, one embodiment of the golf club head 200 may further include a plurality of apertures 212 formed within a recess 228 defined by a perimeter 224 located in the second region 220 of the crown 209. In one example, the bell-shaped curve 222 may define a portion of the perimeter 224 that communicates with the first region 218. The recess 228 may also form a recess lip 236 defined along the perimeter 224 such that the recess 228 is positioned relatively lower on the crown 209 than the first region 218. The golf club head 200 also may include reinforcing ribs 219 in the second region 220 for increasing rigidity of the crown 209 at certain locations on the crown 209. In the example of FIG. 13, three reinforcing ribs, which are referred to as reinforcing ribs 219A-C are provided on the crown 209. The reinforcing ribs 219A-C may be defined by areas of the crown 209 that do not include the apertures 212. Accordingly, the reinforcing ribs

219 may be formed on the crown 209 by not forming apertures 212 on portions of the crown 209 that define the reinforcing ribs 219.

[0069] As shown in the example of FIG. 13, the reinforcing rib 219A may be generally perpendicular to the face 202 and bifurcate into the reinforcing ribs 219B and 219C to form a generally Y-shaped reinforcing structure. The reinforcing rib 219A may extend from the proximate to the third point 227 of the bell-shaped curve 222 toward the back 211. Accordingly, the impact force on the face 202 may be partly transferred to the reinforcing rib 219A. At a certain location in the second region 220, the reinforcing ribs 219B and 219C disperse or spread the impact force to the back 211. FIG. 13 shows one example of the reinforcing ribs 219, which are specifically shown as reinforcing ribs 219A-C. However, any reinforcing rib configuration can be provided on the crown 209. The width, length, orientation of each reinforcing rib 219 may depend on the size of the crown 209, the thickness or the crown 209, the sizes, distribution patterns, and other properties of the apertures 212, and/or the materials from which the crown 209 is constructed. For example, the reinforcing ribs 219A-C can be strategically located on the crown 220 to coincide with the highest stress locations on the crown 209 resulting from impact forces on the face 202. Generally, the width of a reinforcing rib may be greater than the greatest dimension of the apertures 212. For example, if the apertures 212 are circular, then the width of the reinforcing ribs 219 may be greater than the diameter of the apertures 212. Furthermore, the width of the reinforcing ribs 219 may be greater than the largest distance between any two adjacent apertures 212.

[0070] The reinforcing ribs 219 provide structural reinforcement for the crown 209 or regions of the crown 209 that experience large impact forces or high stresses. The reinforcing ribs 219 may also assist in evenly distributing the high stresses throughout the crown 209. Accordingly, due to the presence of the reinforcing ribs 219, the sizes, patterns, orientations, shapes and/or distribution of the apertures 212 may be different as compared to the apertures 112 of the embodiment described above according to FIGS. 1-12. For example, having reinforcement ribs 219 on the crown 209 may allow a larger aperture density (i.e., apertures per area), which may be achieved by having a larger number of apertures that are closer to each other. In another example, the size of the apertures 212 may be increased while the distance between the apertures 212 may be reduced as compared to the apertures 112 due to the presence of the reinforcing ribs 219. Therefore, the shapes, sizes, orientations, patterns or other characteristics of the reinforcing ribs 219 may directly affect the shapes, sizes, orientations, distribution patterns, or other characteristics of the apertures 212 to achieve similar results as the embodiments of FIGS. 1-12.

[0071] In one aspect, the plurality of apertures 212 located within the second region 220 of the crown 209 removes mass from one portion of the golf club head 200 and moves that mass to another more optimal location of the golf club head 200, while still providing sufficient strength and structural resilience to the golf club head 200. In addition, the plurality of apertures 212 provides a generally more even distribution of forces through the crown 209 after impact of the face 202 with a golf ball (not shown) as compared to a crown 209 without having any apertures. This structural arrangement of a plurality of apertures 212 prevents impact forces on the face 202 from being focused at particular portions of the golf club

head **200** during travel of these forces through the second region **220** of the crown **209**, and in particular to those portions of the crown **209** defined between the plurality of apertures **212**. However, at the particular locations where stresses are high relative to other regions of the crown **209**, reinforcing ribs **219** can be provided. This generally more even distribution of force through the crown **209** after impact by the plurality of apertures **212** and the reinforcing ribs **219** also prevents structural failure of the golf club head **200** over time that can be caused by stress risers or stress collectors focusing impact forces at particular areas of the crown **209** caused by the uneven distribution of these forces through the second region **220** after impact as discussed above.

[0072] In one embodiment, a protective cover **230** may be engaged to the crown **209** to cover the plurality of apertures **212**. The protective cover **230** may be constructed from any type of metallic, artificial or natural materials. For example, the protective cover **230** may be a film or tape made from a polycarbonate or polymeric material having an adhesive on one side that permits the protective cover **230** to adhere to and cover either a portion or the entire crown **209**. In some embodiments, the protective cover **230** may be made from a polycarbonate material that exhibits high impact-resistance, while also having low scratch-resistance. In other embodiments, the protective cover **230** may be made from any type of polymeric material, such as polyethylene, neoprene, nylon, polystyrene, polypropylene or combinations thereof. In another embodiment the protective cover **230** may be a rigid cover made from the same material(s) discussed above that allow for structural engagement of the protective cover **230** along the perimeter **224** of the recess **228** to cover the plurality of apertures **212**. In either of these arrangements, the protective cover **230** permits the area of the second region **220** of the crown **209**, for example the area of the recess **228**, to be at the same level as the first region **218** of the crown **209**; however, the protective cover **230** does not have to provide any structural reinforcement to the crown **209** that is necessary for protective covers used with prior art golf club heads having larger apertures. The apparatus, articles of manufacture, and methods described herein are not limited in this regard.

[0073] While the above embodiments may describe a golf club head **200** including a recess (e.g., recess **228**), the apparatus, articles of manufacture, and methods described herein may not include a recess. For example, the plurality of apertures **212** and the reinforcing ribs **219** may be defined along the second region **220** of the crown **209** such that the second region **220** is flush with the first region **218**. As such, some embodiments of the golf club head **200** do not require either a recess **228** to define an area for forming the plurality of apertures **212** and the reinforcing ribs **219** and/or a protective cover **230** to encase or otherwise cover the plurality of apertures **212**.

[0074] In other embodiments, each of the plurality of apertures **212** may have a range of diameters. The diameter of each aperture **212** of the plurality of apertures **212** may be between 0.005 inches to 0.40 inches (e.g., 0.0127 cm to 1.016 cm). The lower range values may be 0.005 inches (0.0127 cm), 0.006 inches (0.0152 cm), 0.007 inches (0.0178 cm), 0.008 inches (0.0203 cm), 0.009 inches (0.0229 cm), 0.01 inches (0.0254 cm), 0.02 inches (0.0508 cm), 0.03 inches (0.0762 cm), or 0.04 inches (0.1016 cm). The upper range of the diameter of the apertures **112** may be 0.32 inches (0.813 cm), 0.33 inches (0.838 cm), 0.34 inches (0.864 cm), 0.35 inches (0.889 cm),

0.36 inches (0.914 cm), 0.37 inches (0.940 cm), 0.39 inches (0.991 cm), or 0.40 inches (0.1.016 cm).

[0075] In another example, the range of the diameter of each aperture **212** of the plurality of apertures **212** may be between 0.05 inches (0.127 cm) to 0.31 inches (e.g., 0.05 inches (0.127 cm), 0.06 inches (0.152 cm), 0.07 inches (0.179 cm), 0.08 inches (0.203 cm), 0.09 inches (0.229 cm), 0.10 inches (0.254 cm), 0.11 inches (0.279 cm), 0.12 inches (0.305 cm), 0.13 inches (0.330 cm), 0.14 inches (0.356 cm), 0.15 inches (0.381 cm), 0.16 inches (0.406 cm), 0.17 inches (0.432 cm), 0.18 inches (0.457 cm), 0.19 inches (0.483 cm), 0.20 inches (0.508 cm), 0.21 inches (0.533 cm), 0.22 inches (0.559 cm), 0.23 inches (0.584 cm) 0.24 inches (0.610 cm), 0.25 inches (0.635 cm), 0.26 inches (0.660 cm), 0.27 inches (0.686 cm), 0.28 inches (0.711 cm), 0.29 inches (0.737 cm), 0.30 inches (0.762 cm), or 0.31 inches (0.787 cm)).

[0076] In yet another example, the diameter of each aperture **212** of the plurality of apertures **212** may be 0.022 inches (0.0559 cm), 0.020 inches (0.0508 cm), 0.018 inches (0.0457), or 0.016 inches (0.0406 cm), or may be 0.26 inches (0.660 cm), 0.27 inches (0.689), 0.28 inches (0.711 cm), or 0.29 inches (0.737 cm). In another embodiment, the diameter of each aperture **212** of the plurality of apertures **212** may be 0.093 inches (0.236 cm).

[0077] Although some of the above examples may describe all of the plurality of apertures **212** having an identical diameter or a substantially similar diameter, the apparatus, articles of manufacture, and methods are not limited in this regard. For example, two or more apertures of the plurality of apertures **212** may have different diameters (e.g., the diameters of the plurality of apertures **212** may vary from one aperture to another). In particular, as described in detail below, a first aperture may be associated with a first diameter and a second aperture may be associated with a second diameter. The first diameter being greater than the second diameter.

[0078] In one embodiment, each aperture **212** may have a diameter no greater than 0.30 inches (0.762 cm). In another embodiment, each aperture **212** may have a diameter no greater than 0.25 inches (0.635 cm). In other embodiments, the plurality of apertures **212** may have diameters no greater than 0.20 inches (0.508 cm), while other embodiments, each of the plurality of apertures **212** may have diameters no greater than 0.175 inches (0.444 cm), 0.150 inches (0.381 cm), 0.125 inches (0.312 cm), 0.100 inches (0.254), 0.093 inches (0.236 cm), 0.075 (0.191 cm), or 0.050 (0.127 cm), respectively. In addition, the number of apertures **212** defined along the second region **220** of the crown **209** depends on the diameter of the plurality of apertures **212**. For example, a golf club head **200** having an aperture diameter of 0.25 inches (0.635 cm) may have about 60 apertures, while a golf club head **200** having an aperture diameter of 0.093 inches (0.236 cm) may have about 576 apertures. In another example, a golf club head **100** having a combination of aperture diameters of 0.093 inches (0.236 cm) and 0.040 inches (0.102 cm) may have about 1500 apertures; however, the apparatus, articles of manufacture, and methods described herein are not limited in this regard. In particular, the number and/or size of the plurality of apertures **212** may vary based on the volume of the golf club head **200** (e.g., a golf club head less than or equal to 470 cc).

[0079] The plurality of apertures **212** may also define different configurations and sizes. For example, the plurality of apertures **212** may have a round-shaped configuration, an oval-shaped configuration, a diamond-shaped configuration,

a square-shaped configuration, a rectangular-shaped configuration, a hexagon-shaped configuration, a pentagon-shaped configuration, a linear-shaped configuration, and/or a non-linear-shaped configuration. In addition, the plurality of apertures 212 may have different diameters or configurations within a particular pattern. Finally, the pattern of the apertures 212 within the second region 220 may define a repeating pattern, non-repeating pattern, symmetrical pattern and/or non-symmetrical pattern; however, the apparatus, articles of manufacture, and methods described herein are not limited in this regard. Further, while the above examples may describe the plurality of apertures 212 being located on the crown 209 of the golf club head 200, the plurality of apertures 212 may be located on other portion(s) of a golf club head (e.g., the sole only, the crown and the sole, etc).

**[0080]** The number and size of the apertures 212 and the number and size of the reinforcing ribs 219 may affect each other. For example, a crown having large apertures that are relatively close to each other may require a greater number of reinforcing ribs or wider/larger reinforcing ribs to provide sufficient strength and structural resilience for the golf club head. Smaller apertures that are relatively far apart from each other, however, may not need a larger number of reinforcing ribs or wider/larger reinforcing ribs to provide sufficient strength and structural resilience for the crown.

**[0081]** In one embodiment, the golf club head 200 may be made from steel, steel alloy, titanium, titanium alloy (e.g., titanium 6-4 or titanium 8-1-1). In other embodiments, the golf club heads according to the disclosure may be made from one or more materials including titanium, titanium alloys, magnesium, magnesium alloys, titanium aluminides, fiber-based composites, and metal matrix composites or mixtures thereof. In some embodiments, the fiber-based composite may be carbon fiber, fiberglass, or KEVLAR® or combinations thereof. In some embodiments, the percentage of titanium may be 10%, 20%, 30%, 40%, 50%, 60%, 70%, 80%, 90%, or 99% for titanium alloys and 100% for a golf club head 200 made entirely of 100% titanium. In other embodiments, the percentage of fiberglass may be 10%, 20%, 30%, 40%, 50%, 60%, 70%, 80%, 90%, or 100%. In yet other embodiments, the percentage of KEVLAR® may be 10%, 20%, 30%, 40%, 50%, 60%, 70%, 80%, 90%, or 100%. In some embodiments, the KEVLAR® may be any type of para-aramid synthetic fiber. In some embodiments the percentage of carbon fiber may be 10%, 20%, 30%, 40%, 50%, 60%, 70%, 80%, 90%, or 100%. In some embodiments, the golf club head 200 may be 50% titanium and 50% of one or more of the fiber-based composite(s), although in other embodiments a golf club head according to the disclosure may constitute any of the percentages for titanium noted above in combination with one or more respective percentages of the fiber-based composite(s).

**[0082]** Referring to FIG. 17, a flow chart illustrates one method for manufacturing a golf club head 200 with a plurality of apertures 212. At block 2000, a mold (not shown) is provided for forming the golf club head 200. At block 2002, the golf club head 200 is formed using the mold having the face 202, sole 205, heel 206, toe 210, back 211, crown 209, and hosel 208 defining the aperture 213 configured to engage the shaft. In one embodiment, the crown 209 formed by the mold is defined between the back 211 and front edge 204 of the golf club head 200. In addition, the recess 228 may be defined along the crown 209 using the mold. At block 2004, the plurality of apertures 212 is formed along the crown 109.

The plurality of apertures 212 may be formed using a stamping process that forms the apertures 212 entirely through the material of the crown 209. In the alternative, a plurality of small recesses (not shown) may be formed into but not entirely through the material of the crown 209 rather than the plurality of apertures 212; however, the apparatus, articles of manufacture, and methods described herein are not limited in this regard. In one example, the reinforcing ribs 219 may be formed at block 2004 by not forming the apertures 212 on sections of the crown 209 that correspond to the locations of the reinforcing ribs 219. However, other methods for providing the reinforcing ribs 219 may be used. For example, after forming the plurality of apertures at block 2004, the reinforcing ribs 219 may be formed by attaching rib-shaped pieces to the crown 209 with an adhesive, by welding, soldering or other fixation methods.

**[0083]** At block 2006, the protective cover 230 may be configured to engage and cover the plurality of apertures 212 within the perimeter 224 defined along the portion of the crown 209. As discussed above, the protective cover 230 may be a film or tape made from a polycarbonate or plastic material having an adhesive on one side that permits the protective cover 230 to adhere to and cover either a portion or the entire crown 209, while in another embodiment the protective cover 230 may be rigid cover that is structurally engaged along the perimeter 224 defined by the recess 228 to cover the plurality of apertures 212. In either of these arrangements, the protective cover 230 permits the area of the second region 220 of the crown 209, for example the recess 228, to be at the same level as the first region 218 of the crown 209; however, the apparatus, articles of manufacture, and methods described herein are not limited in this regard.

**[0084]** Although a particular order of actions is illustrated in FIG. 17, these actions may be performed in other temporal sequences. For example, two or more actions depicted in FIG. 17 may be performed sequentially, concurrently, or simultaneously. Alternatively, two or more actions depicted may be performed in reversed order. Further, one or more actions depicted in FIG. 17 may not be performed at all. The apparatus, methods, and articles of manufacture described herein are not limited in this regard.

**[0085]** Referring to FIG. 18-23, another embodiment of a golf club head is illustrated and generally indicated as 300. In general, the golf club head 300 may include a face 302, a sole 305, a heel 306, and a toe 310. The golf club 300 may also include a plurality of grooves 315 on the face 302. The golf club head 300 may be a single piece or include multiple portions manufactured together. In one example, the golf club head 300 may be a hollow body formed by a casting process or other suitable type of manufacturing process. In addition, the face 302 may be an integral part of the golf club head 300. Alternatively, the face 302 may be a separate piece from or an insert for a body of the golf club head 300.

**[0086]** The golf club head 300 includes a hosel 308 that defines an aperture 317 configured to engage a shaft (not shown). In particular, the shaft may engage the golf club head 300 on one end and engage a grip (not shown) on an opposite end. For example, the golf club head 300 may be a wood-type golf club, such as a driver-type golf club head, a fairway wood-type golf club head (e.g., 2-wood golf club, 3-wood golf club, 4-wood golf club, 5-wood golf club, 6-wood golf club, 7-wood golf club, 8-wood golf club, or a 9-wood golf club), a hybrid-type golf club head or any other suitable type of golf club head with a hollow body or a body with one or

more cavities, apertures, recesses or channels. Although the above examples may depict and/or describe a wood-type golf club head (e.g., driver-type golf club head, a fairway-type golf club head, a hybrid-type golf club head), the apparatus, articles of manufacture, and methods described herein may be applicable to other suitable types of golf club heads.

**[0087]** In addition, the face **302** may be formed adjacent the hosel **308** and provides a surface for striking a golf ball (not shown). The face **302** may be made from one or more metals or metal alloys such as a steel material, a titanium material, a titanium alloy material, a titanium-based material, a combination thereof, one or more composite materials, one or more plastic materials, or other suitable type of materials; however, the face **302** may be made from the same material(s) that constitute the golf club head **300** as described in greater detail below. In particular, the face **302** may include a plurality of grooves **315**. The golf club head **300** further includes a back **311** formed opposite the face **302** with the sole **305** being defined between the back **311** and the face **302**. As further shown, a crown **309** is formed opposite the sole **305**, while the face **302** is defined by the heel **306** formed adjacent the hosel **308** and the toe **310** defined at the far end of the face **302**. The face **302** further includes a top edge **304** defined between the crown **309** and the face **302** as well as a leading edge **303** defined between the sole **305** and the face **302**. Although the golf club head **300** may conform to rules and/or standards of golf defined by various golf standard organizations, governing bodies, and/or rule establishing entities, the apparatus, articles of manufacture, and methods described herein are not limited in this regard.

**[0088]** Referring to FIG. 21, in one embodiment the crown **309** may include a first region **318** and a second region **320** with a bell-shaped curve **322** that may define the boundary between the first and second regions **318** and **320**. Details of the bell-shaped curve are provided in U.S. Pat. No. 7,892,111. The first region **318** may sustain and endure relatively more stress than the second region **320** in response to an impact on the face **302** of the golf club head **300** by an object such as a golf ball (not shown). In one example, the bell-shaped curve **322** may include a first point **325**, a second point **326** and a third point **327**. The first point **325** may be located at or proximate the toe **310** of the golf club head **300**, while the second point **326** may be located at or proximate the heel **306** of the golf club head **300**. The third point **327** may be located at or proximate a midpoint defined between the first and second points **325** and **326** with the third point **327** being defined closer to the back **311** of the golf club head **300** than first and second points **325** and **326**.

**[0089]** As shown in FIG. 21, the bell-shaped curve **322** that defines the boundary between the first and second regions **318** and **320** of the crown **309** may be determined by the relationship between a loft angle **314** of the face **302** and a first plane **316** separated by a predetermined distance **D1**. In one embodiment, the predetermined distance **D1** may be defined as the distance between the top edge **304** of the face **302** and the first plane **316** at the location where first plane **316** intersects the crown **309**. For example, the predetermined distance **D1** may be greater than one inch. Alternatively, the predetermined distance **D1** may be defined as the distance between the leading edge **303** of the face **302** and the location of the first plane **316** where the first plane **316** intersects the sole **305**. In addition, the position of the first plane **316** may be established by the orientation or angle of the loft angle **314** of the golf club head **300**. In one embodiment, the loft angle **314** may be

established by the angle of the face **302** for a particular golf club head **300**. For example, the loft angle **314** for a driver-type golf club head may range between 6° to 16°, while the loft angle **314** for a fairway-type golf club head may range between 12° to 30°. The loft angle **314** for a hybrid-type golf club head may range between 16° to 34°. As such, the location of the bell-shaped curve **322** along the crown **309**, may be determined by the intersection of the first plane **316** with the crown **309** to establish the location of either the first and second points **325** and **326** (FIG. 21), or the third point **327** of the bell-shaped curve **322**.

**[0090]** Referring to FIGS. 18 and 22, one embodiment of the golf club head **300** may further include a plurality of first apertures **312** and a plurality of second apertures **317** formed within a recess **328** defined by a perimeter **234** located in the second region **320** of the crown **309**. The second apertures **317** are smaller than the first apertures **312** as described in detail below. In one example, the bell-shaped curve **322** may define a portion of the perimeter **334** that communicates with the first region **318**. The recess **328** may also form a recess lip **336** defined along the perimeter **334** such that the recess **328** is positioned relatively lower on the crown **309** than the first region **318**.

**[0091]** In one aspect, the plurality of apertures **312** and **317** located within the second region **320** of the crown **309** removes mass from one portion of the golf club head **300** and moves that mass to another more optimal location of the golf club head **300**, while still providing sufficient strength and structural resilience to the golf club head **300**. In addition, the plurality of apertures **312** and **317** provides a generally even distribution of forces through the crown **309** after impact of the face **302** with a golf ball (not shown) as compared to a crown **309** without having any apertures. This structural arrangement of a plurality of apertures **312** and **317** prevents impact forces on the face **302** from being focused at particular portions of the golf club head **300** during travel of these forces through the second region **320** of the crown **309**, and in particular to those portions of the crown **309** defined between the plurality of apertures **312** and **317**. This generally even distribution of force through the crown **309** after impact by the plurality of apertures **312** also prevents structural failure of the golf club head **300** over time that can be caused by stress risers or stress collectors focusing impact forces at particular areas of the crown **309** caused by the uneven distribution of these forces through the second region **320** after impact as discussed above.

**[0092]** Referring to FIG. 22, an enlarged schematic view showing the arrangement of the apertures **312** and **317** is shown. The configuration and arrangement of the apertures **312** may be similar to the apertures **112** described above. Accordingly, each aperture **312** may have a diameter **DA 1**, be spaced apart from an adjacent aperture **312** by a perimeter-to-perimeter distance **PP1**, and have a center-to-center distance **CC1** with an adjacent aperture **312**. A group of four apertures **312** defines a center section **319** (shown with dashed lines), which may be smaller, as large as, or larger than each aperture **312**. Depending on the physical properties of a club head **300** and/or the crown **309**, such as materials of construction, dimensions, thicknesses, etc., additional mass may be removed from the center sections **319** without degrading the strength and structural resilience of the crown **309**. The additional mass to be removed from the crown **309** may be realized by the apertures **317** in the center sections **319**. The apertures **317** may be sized according to the physical

properties of the club head so that the remaining portions of the center sections **319** can provide sufficient strength and structural resilience for the crown **309**. Thus, the sizes, spacing, patterns, orientations, distribution and other characteristics of the apertures **312** and **317** can be determined to provide optimum or near optimum removal of mass from the crown **309** without negatively affecting the strength and structural resilience of the crown **209**.

**[0093]** In one embodiment, a protective cover **330** may be engaged to the crown **309** to cover the plurality of apertures **312** and **317**. The protective cover **330** may be constructed from any type of metallic, artificial or natural materials. For example, the protective cover **330** may be a film or tape made from a polycarbonate or polymeric material having an adhesive on one side that permits the protective cover **330** to adhere to and cover either a portion or the entire crown **309**. In some embodiments, the protective cover **330** may be made from a polycarbonate material that exhibits high impact-resistance, while also having low scratch-resistance. In other embodiments, the protective cover **330** may be made from any type of polymeric material, such as polyethylene, neoprene, nylon, polystyrene, polypropylene or combinations thereof. In another embodiment the protective cover **330** may be a rigid cover made from the same material(s) discussed above that allow for structural engagement of the protective cover **330** along the perimeter **234** of the recess **328** to cover the plurality of apertures **312** and **317**. In either of these arrangements, the protective cover **330** permits the area of the second region **320** of the crown **309**, for example the area of the recess **328**, to be at the same level as the first region **318** of the crown **309**; however, the protective cover **330** does not have to provide any structural reinforcement to the crown **309** that is necessary for protective covers used with prior art golf club heads having larger apertures. The apparatus, articles of manufacture, and methods described herein are not limited in this regard.

**[0094]** While the above embodiments may describe a golf club head **300** including a recess (e.g., recess **328**), the apparatus, articles of manufacture, and methods described herein may not include a recess. For example, the plurality of apertures **312** and **317** may be defined along the second region **320** of the crown **309** such that the second region **320** is flush with the first region **318**. As such, some embodiments of the golf club head **300** do not require either a recess **328** to define an area for forming the plurality of apertures **312** and **317** and/or a protective cover **330** to encase or otherwise cover the plurality of apertures **312** and **317**.

**[0095]** In other embodiments, each of the plurality of apertures **312** and **317** may have a range of diameters. The diameter of each aperture **312** may be between 0.005 inches to 0.40 inches (e.g., 0.0127 cm to 1.016 cm). The lower range values may be 0.005 inches (0.0127 cm), 0.006 inches (0.0152 cm), 0.007 inches (0.0178 cm), 0.008 inches (0.0303 cm), 0.009 inches (0.0329 cm), 0.01 inches (0.0254 cm), 0.02 inches (0.0508 cm), 0.03 inches (0.0762 cm), or 0.04 inches (0.1016 cm). The upper range of the diameter of the apertures **312** may be 0.32 inches (0.813 cm), 0.33 inches (0.838 cm), 0.34 inches (0.864 cm), 0.35 inches (0.889 cm), 0.36 inches (0.914 cm), 0.37 inches (0.940 cm), 0.39 inches (0.991 cm), or 0.40 inches (0.1.016 cm). In another embodiment, the diameter of each aperture **312** of the plurality of apertures **312** may be 0.093 inches (0.236 cm)

**[0096]** In another example, the range of the diameter of each aperture **312** may be between 0.05 inches (0.127 cm) to

0.31 inches (e.g., 0.05 inches (0.127 cm), 0.06 inches (0.152 cm), 0.07 inches (0.179 cm), 0.08 inches (0.303 cm), 0.09 inches (0.329 cm), 0.10 inches (0.254 cm), 0.11 inches (0.279 cm), 0.12 inches (0.305 cm), 0.13 inches (0.330 cm), 0.14 inches (0.356 cm), 0.15 inches (0.381 cm), 0.16 inches (0.406 cm), 0.17 inches (0.432 cm), 0.18 inches (0.457 cm), 0.19 inches (0.483 cm), 0.30 inches (0.508 cm), 0.31 inches (0.533 cm), 0.32 inches (0.559 cm), 0.33 inches (0.584 cm) 0.34 inches (0.610 cm), 0.25 inches (0.635 cm), 0.26 inches (0.660 cm), 0.27 inches (0.686 cm), 0.28 inches (0.711 cm), 0.29 inches (0.737 cm), 0.30 inches (0.762 cm), or 0.31 inches (0.787 cm)).

**[0097]** In yet another example, the diameter of each aperture **312** may be 0.022 inches (0.0559 cm), 0.020 inches (0.0508 cm), 0.018 inches (0.0457), or 0.016 inches (0.0406 cm), or may be 0.26 inches (0.660 cm), 0.27 inches (0.689), 0.28 inches (0.711 cm), or 0.29 inches (0.737 cm). In another embodiment, the diameter of each aperture **312** of the plurality of apertures **312** may be 0.093 inches (0.236 cm).

**[0098]** As described above, the apertures **317** are formed in the center sections **319**, which are regions that are defined by four of the apertures **312**. The size of the apertures **317** may be based upon the size of the center sections **319** and/or the size of the apertures **312**. For example, the diameter of the apertures **317** may be a fraction of the diameter of the apertures **312**, such as  $\frac{2}{3}$ ,  $\frac{1}{2}$ , or  $\frac{1}{3}$  the diameter of the apertures **312**. Accordingly, with reference to FIG. 22, the size of the apertures **312** and **317** may be based on the following formula:

$$DA2 = F \cdot DA1$$

**[0099]** Where DA2 is the diameter of the apertures **317**, DA1 is the diameter of the apertures **312** and F is a factor that defines the relationship between the diameters DA2 and DA1. For example, F can have any value from 0.001 to approximately 1. However, F=1 would result in the apertures **312** and **317** having the same diameter, which is similar to the embodiment of FIGS. 1-12. In another example, with reference to FIG. 22, the size of the apertures **317** may be determined so that the perimeter-to-perimeter distance PP1 between an aperture **312** and an adjacent aperture **317** is the same as the perimeter-to-perimeter distance PP1 between two adjacent apertures **312**. Thus, the size of the apertures **312** and **317** may be determined in any manner or based on any mathematical relationship so that mass is removed from the crown **309** without negatively affecting the performance, the strength and the structural resilience of the club head **300** and/or optimizing or near optimizing the performance of the club head **300**.

**[0100]** Although some of the above examples may describe all of the plurality of apertures **312** having an identical diameter or a substantially similar diameter, and/or the plurality of apertures **317** having an identical diameter or substantially similar diameter, the apparatus, articles of manufacture, and methods are not limited in this regard. For example, two or more apertures of the plurality of apertures **312** may have different diameters (e.g., the diameters of the plurality of apertures **312** may vary from one aperture to another). In another example, two or more apertures of the plurality of apertures **317** may have different diameters (e.g., the diameters of the apertures **317** may vary from one aperture to another).

**[0101]** In one embodiment, each aperture **312** may have a diameter no greater than 0.30 inches (0.762 cm). In another embodiment, each aperture **312** may have a diameter no

greater than 0.25 inches (0.635 cm). In other embodiments, the plurality of apertures **312** may have diameters no greater than 0.20 inches (0.508 cm), while other embodiments, each of the plurality of apertures **312** may have diameters no greater than 0.175 inches (0.444 cm), 0.150 inches (0.381 cm), 0.125 inches (0.312 cm), 0.100 inches (0.254), 0.093 inches (0.236 cm), 0.075 (0.191 cm), or 0.050 (0.127 cm), respectively. Because the apertures **312** defined the size of the center section **319**, the size of the apertures **317** depends on the size of the apertures **312** as described in detail above.

[0102] The number of apertures **312** defined along the second region **320** of the crown **309** depends on the diameter of the plurality of apertures **312**. For example, a golf club head **300** having an aperture diameter of 0.25 inches (0.635 cm) may have about 60 apertures, while a golf club head **300** having an aperture diameter of 0.093 inches (0.236 cm) may have about 576 apertures. In another example, a golf club head **300** having a combination of aperture diameters of 0.093 inches (0.236 cm) and 0.040 inches (0.102 cm) may have about 1500 apertures; however, the apparatus, articles of manufacture, and methods described herein are not limited in this regard. In particular, the number and/or size of the plurality of apertures **312** may vary based on the volume of the golf club head **300** (e.g. a golf club head less than or equal to 470 cc). Referring to FIG. 22, each aperture **317** is surrounded by four apertures **312**, or each aperture **312** is surrounded by four apertures **317**. Accordingly, the number of apertures **312** and **317** may be slightly less or more than the number of apertures **312**.

[0103] The plurality of apertures **312** and **317** may also define different configurations and sizes. For example, the plurality of apertures **312** may have a round-shaped configuration, an oval-shaped configuration, a diamond-shaped configuration, a square-shaped configuration, a rectangular-shaped configuration, a hexagon-shaped configuration, a pentagon-shaped configuration, a linear-shaped configuration, and/or a non-linear-shaped configuration. Accordingly, the shape of the apertures **317** may be similar to the shape of the apertures **312**. However, the shape of the apertures **317** may be different than the shape of the apertures **312**. In addition, the plurality of apertures **312** and **317** may have different diameters or configurations within a particular pattern. Finally, the pattern of the apertures **312** and **317** within the second region **320** may define a repeating pattern, non-repeating pattern, symmetrical pattern and/or non-symmetrical pattern; however, the apparatus, articles of manufacture, and methods described herein are not limited in this regard. Further, while the above examples may describe the plurality of apertures **312** and **317** being located on the crown **309** of the golf club head **300**; the plurality of apertures **312** and/or **317** may be located on other portion(s) of a golf club head (e.g., the sole only, the crown and the sole, etc).

[0104] In one embodiment, the golf club head **300** may be made from steel, steel alloy, titanium, titanium alloy (e.g., titanium 6-4 or titanium 8-1-1). In other embodiments, the golf club head **300** may be made from one or more materials including titanium, titanium alloys, magnesium, magnesium alloys, titanium aluminides, fiber-based composites, and metal matrix composites or mixtures thereof. In some embodiments, the fiber-based composite may be carbon fiber, fiberglass, or KEVLAR® or combinations thereof. In some embodiments, the percentage of titanium may be 10%, 20%, 30%, 40%, 50%, 60%, 70%, 80%, 90%, or 99% for titanium alloys and 100% for a golf club head **300** made entirely of

100% titanium. In other embodiments, the percentage of fiberglass may be 10%, 20%, 30%, 40%, 50%, 60%, 70%, 80%, 90%, or 100%. In yet other embodiments, the percentage of KEVLAR® may be 10%, 20%, 30%, 40%, 50%, 60%, 70%, 80%, 90%, or 100%. In some embodiments, the KEVLAR® may be any type of para-aramid synthetic fiber. In some embodiments the percentage of carbon fiber may be 10%, 20%, 30%, 40%, 50%, 60%, 70%, 80%, 90%, or 100%. In some embodiments, a golf club head according to the disclosure may be 50% titanium and 50% of one or more of the fiber-based composite(s), although in other embodiments a golf club head according to the disclosure may constitute any of the percentages for titanium noted above in combination with one or more respective percentages of the fiber-based composite(s).

[0105] Referring to FIG. 23, a flow chart illustrates one method for manufacturing a golf club head **300** with a plurality of apertures **312** and **317**. At block **3000**, a mold (not shown) is provided for forming the golf club head **300**. At block **3002**, the golf club head **300** is formed using the mold having the face **302**, sole **305**, heel **306**, toe **310**, back **311**, crown **309**, and hosel **308** defining the aperture **313** configured to engage the shaft. In one embodiment, the crown **309** formed by the mold is defined between the back **311** and front edge **304** of the golf club head **300**. In addition, the recess **328** may be defined along the crown **309** using the mold. At blocks **3004A** and **3004B**, the plurality of apertures **312** and **317**, respectively, are formed along the crown **309**. The plurality of apertures **312** may be formed using a stamping process that forms the apertures **312** entirely through the material of the crown **309**. In the alternative, a plurality of recesses (not shown) may be formed into but not entirely through the material of the crown **109** rather than the plurality of apertures **312**; however, the apparatus, articles of manufacture, and methods described herein are not limited in this regard. The plurality of apertures **312** and **317** may be formed simultaneously by the same stamping process. In other words, the stamping mold includes projections corresponding to the apertures **312** and **317** so that both apertures **312** and **317** can be made in one step. Therefore, the blocks **3004A** and **3004B** may represent a single process. However, the apertures **312** and **317** may be formed separately. For example, at block **3004A**, the apertures **312** may be formed with one stamping process using a mold, while at block **3004B**, the apertures **317** are formed with another stamping process using a different mold.

[0106] At block **3006**, the protective cover **330** may be configured to engage and cover the plurality of apertures **312** and **317** within the perimeter **324** defined along the portion of the crown **309**. As discussed above, the protective cover **330** may be a film or tape made from a polycarbonate or plastic material having an adhesive on one side that permits the protective cover **330** to adhere to and cover either a portion or the entire crown **309**, while in another embodiment the protective cover **330** may be rigid cover that is structurally engaged along the perimeter **324** defined by the recess **328** to cover the plurality of apertures **312** and **317**. In either of these arrangements, the protective cover **330** permits the area of the second region **320** of the crown **309**, for example the recess **328**, to be at the same level as the first region **318** of the crown **309**; however, the apparatus, articles of manufacture, and methods described herein are not limited in this regard.

[0107] Although a particular order of actions is illustrated in FIG. 23, these actions may be performed in other temporal sequences. For example, two or more actions depicted in FIG.

**23** may be performed sequentially, concurrently, or simultaneously. Alternatively, two or more actions depicted may be performed in reversed order. Further, one or more actions depicted in FIG. 23 may not be performed at all. The apparatus, methods, and articles of manufacture described herein are not limited in this regard.

[0108] Referring to FIG. 24-28, another embodiment of a golf club head is illustrated and generally indicated as **400**. In general, the golf club head **400** may include a face **402**, a sole **405**, a heel **406**, and a toe **410**. The golf club **400** may also include a plurality of grooves **415** on the face **402**. The golf club head **400** may be a single piece or include multiple portions manufactured together. In one example, the golf club head **400** may be a hollow body formed by a casting process or other suitable type of manufacturing process. In addition, the face **402** may be an integral part of the golf club head **400**. Alternatively, the face **402** may be a separate piece from or an insert for a body of the golf club head **400**.

[0109] The golf club head **400** includes a hosel **408** that defines an aperture **413** configured to engage a shaft (not shown). In particular, the shaft may engage the golf club head **400** on one end and engage a grip (not shown) on an opposite end. For example, the golf club head **400** may be a wood-type golf club, such as a driver-type golf club head, a fairway wood-type golf club head (e.g., 2-wood golf club, 3-wood golf club, 4-wood golf club, 5-wood golf club, 6-wood golf club, 7-wood golf club, 8-wood golf club, or a 9-wood golf club), a hybrid-type golf club head or any other suitable type of golf club head with a hollow body or a body with one or more cavities, apertures, recesses or channels. Although the above examples may depict and/or describe a wood-type golf club head (e.g., driver-type golf club head, a fairway-type golf club head, a hybrid-type golf club head), the apparatus, articles of manufacture, and methods described herein may be applicable to other suitable types of golf club heads.

[0110] In addition, the face **402** may be fowled adjacent the hosel **408** and provides a surface for striking a golf ball (not shown). The face **402** may be made from one or more metals or metal alloys such as a steel material, a titanium material, a titanium alloy material, a titanium-based material, a combination thereof, one or more composite materials, one or more plastic materials, or other suitable type of materials; however, the face **402** may be made from the same material(s) that constitute the golf club head **400** as described in greater detail below. In particular, the face **402** may include a plurality of grooves **415**. The golf club head **400** further includes a back **411** formed opposite the face **402** with the sole **405** being defined between the back **411** and the face **402**. As further shown, a crown **409** is formed opposite the sole **405**, while the face **402** is defined by the heel **406** formed adjacent the hosel **408** and the toe **410** defined at the far end of the face **402**. The face **402** further includes a top edge **404** defined between the crown **409** and the face **402** as well as a leading edge **403** defined between the sole **405** and the face **402**. Although the golf club head **400** may conform to rules and/or standards of golf defined by various golf standard organizations, governing bodies, and/or rule establishing entities, the apparatus, articles of manufacture, and methods described herein are not limited in this regard.

[0111] Referring to FIG. 27, in one embodiment the crown **409** may include a first region **418** and a second region **420** with a bell-shaped curve **422** that may define the boundary between the first and second regions **418** and **440**. Details of the bell-shaped curve are provided in U.S. Pat. No. 7,892,111.

The first region **418** may sustain and endure relatively more stress than the second region **420** in response to an impact on the face **402** of the golf club head **400** by an object such as a golf ball (not shown). In one example, the bell-shaped curve **422** may include a first point **425**, a second point **426** and a third point **427**. The first point **425** may be located at or proximate the toe **410** of the golf club head **400**, while the second point **426** may be located at or proximate the heel **406** of the golf club head **400**. The third point **427** may be located at or proximate a midpoint defined between the first and second points **425** and **426** with the third point **427** being defined closer to the back **411** of the golf club head **400** than first and second points **425** and **426**.

[0112] As shown in FIG. 27, the bell-shaped curve **422** that defines the boundary between the first and second regions **418** and **440** of the crown **409** may be determined by the relationship between a loft angle **414** of the face **402** and a first plane **416** separated by a predetermined distance **D1**. In one embodiment, the predetermined distance **D1** may be defined as the distance between the top edge **404** of the face **402** and the first plane **416** at the location where first plane **416** intersects the crown **409**. For example, the predetermined distance **D1** may be greater than one inch. Alternatively, the predetermined distance **D1** may be defined as the distance between the leading edge **403** of the face **402** and the location of the first plane **416** where the first plane **416** intersects the sole **405**. In addition, the position of the first plane **416** may be established by the orientation or angle of the loft angle **414** of the golf club head **400**. In one embodiment, the loft angle **414** may be established by the angle of the face **102** for a particular golf club head **400**. For example, the loft angle **414** for a driver-type golf club head may range between 6° to 16°, while the loft angle **414** for a fairway-type golf club head may range between 12° to 30°. The loft angle **414** for a hybrid-type golf club head may range between 16° to 34°. As such, the location of the bell-shaped curve **422** along the crown **409**, may be determined by the intersection of the first plane **416** with the crown **409** to establish the location of either the first and second points **425** and **426** (FIG. 27), or the third point **427** of the bell-shaped curve **422**.

[0113] Referring to FIG. 24, one embodiment of the golf club head **400** may further include a plurality apertures **412A-F** formed within a recess **428** defined by a perimeter **424** located in the second region **420** of the crown **409**. The plurality of apertures **412A-F** represent one example of apertures on the crown **409**. Accordingly, reference number **412** may be used herein to generally refer to the apertures **412A-F**. In one example, the bell-shaped curve **422** may define a portion of the perimeter **424** that communicates with the first region **418**. The recess **428** may also form a recess lip **436** defined along the perimeter **424** such that the recess **428** is positioned relatively lower on the crown **409** than the first region **418**.

[0114] In one aspect, the plurality of apertures **412A-F** removes mass from one portion of the golf club head **400** and moves that mass to another more optimal location of the golf club head **400**, while still providing sufficient strength and structural resilience to the golf club head **400**. In addition, the plurality of apertures **412A-F** provides a generally more even distribution of forces through the crown **409** after impact of the face **402** with a golf ball (not shown) as compared to a crown **409** without having any apertures. This structural arrangement of a plurality of apertures **412A-F** prevents impact forces on the face **402** from being focused at particular

portions of the golf club head **400** during travel of these forces through the second region **420** of the crown **409**, and in particular to those portions of the crown **409** defined between the plurality of apertures **412A-F**. This generally more even distribution of force through the crown **409** after impact by the plurality of apertures **412A-F** also prevents structural failure of the golf club head **400** over time that can be caused by stress risers or stress collectors focusing impact forces at particular areas of the crown **409** caused by the uneven distribution of these forces through the second region **420** after impact as discussed above.

[0115] The apertures **412A-F** progressively increase in size from near the bell-shaped curve **422** to the back **411** of the golf club head **400**. As shown in FIG. **24**, the apertures **412A** are the closest apertures to the bell-shaped curve **422** and are the smallest of the apertures **412A-F**. The apertures **412B** are slightly larger. Similarly, the apertures **412C-E** increase in diameter until apertures **412F** near the back **411** of the golf club head **400**. As discussed in detail herein, the impact forces near the face **402** are transferred by the crown **409** from the face **402** toward the back **411** of the golf club head **400**. Accordingly, the impact forces dissipate through the crown, and therefore, the impact forces are higher near the face **402** and progressively decrease in a direction toward the back **411** of the golf club head **400**. The progressive variation in the size of the apertures **412A-F** may be configured to correspond with the progressive decrease in the impact forces traversing through the crown **409** from the face **402** to the back **411** of the golf club head **400**. Therefore, a near optimum amount of mass may be removed from the crown **409** in a progressive manner from the bell-shaped curve **422** to the back **411** without compromising the strength and structural resilience of the golf club head **400**.

[0116] In one embodiment, a protective cover **430** may be engaged to the crown **409** to cover the plurality of apertures **412A-F**. The protective cover **430** may be constructed from any type of metallic, artificial or natural materials. For example, the protective cover **430** may be a film or tape made from a polycarbonate or polymeric material having an adhesive on one side that permits the protective cover **430** to adhere to and cover either a portion or the entire crown **409**. In some embodiments, the protective cover **430** may be made from a polycarbonate material that exhibits high impact-resistance, while also having low scratch-resistance. In other embodiments, the protective cover **430** may be made from any type of polymeric material, such as polyethylene, neoprene, nylon, polystyrene, polypropylene or combinations thereof. In another embodiment the protective cover **430** may be a rigid cover made from the same material(s) discussed above that allow for structural engagement of the protective cover **430** along the perimeter **424** of the recess **428** to cover the plurality of apertures **412**. In either of these arrangements, the protective cover **430** permits the area of the second region **420** of the crown **409**, for example the area of the recess **428**, to be at the same level as the first region **418** of the crown **409**; however, the protective cover **430** does not have to provide any structural reinforcement to the crown **409** that is necessary for protective covers used with prior art golf club heads having larger apertures. The apparatus, articles of manufacture, and methods described herein are not limited in this regard.

[0117] While the above embodiments may describe a golf club head **400** including a recess (e.g., recess **428**), the apparatus, articles of manufacture, and methods described herein

may not include a recess. For example, the plurality of apertures **412A-F** may be defined along the second region **420** of the crown **409** such that the second region **420** is flush with the first region **418**. As such, some embodiments of the golf club head **400** do not require either a recess **428** to define an area for forming the plurality of apertures **412A-F** and/or a protective cover **430** to encase or otherwise cover the plurality of apertures **412A-F**.

[0118] In other embodiments, the plurality of apertures **412A-F** may have a range of diameters. The diameter of each aperture **412A-F** may be between 0.005 inches to 0.40 inches (e.g. 0.0127 cm to 1.016 cm). The lower range values may be 0.005 inches (0.0127 cm), 0.006 inches (0.0152 cm), 0.007 inches (0.0178 cm), 0.008 inches (0.0403 cm), 0.009 inches (0.0429 cm), 0.01 inches (0.0254 cm), 0.02 inches (0.0508 cm), 0.03 inches (0.0762 cm), or 0.04 inches (0.1016 cm). The upper range of the diameter of the apertures **412A-F** may be 0.32 inches (0.813 cm), 0.33 inches (0.838 cm), 0.34 inches (0.864 cm), 0.35 inches (0.889 cm), 0.36 inches (0.914 cm), 0.37 inches (0.940 cm), 0.39 inches (0.991 cm), or 0.40 inches (0.1.016 cm).

[0119] In another example, the range of the diameter of each aperture **412A-F** may be between 0.05 inches (0.127 cm) to 0.31 inches (e.g., 0.05 inches (0.127 cm), 0.06 inches (0.152 cm), 0.07 inches (0.179 cm), 0.08 inches (0.403 cm), 0.09 inches (0.429 cm), 0.10 inches (0.254 cm), 0.11 inches (0.279 cm), 0.12 inches (0.305 cm), 0.13 inches (0.330 cm), 0.14 inches (0.356 cm), 0.15 inches (0.381 cm), 0.16 inches (0.406 cm), 0.17 inches (0.432 cm), 0.18 inches (0.457 cm), 0.19 inches (0.483 cm), 0.40 inches (0.508 cm), 0.41 inches (0.533 cm), 0.42 inches (0.559 cm), 0.43 inches (0.584 cm) 0.24 inches (0.610 cm), 0.25 inches (0.635 cm), 0.26 inches (0.660 cm), 0.27 inches (0.686 cm), 0.28 inches (0.711 cm), 0.29 inches (0.737 cm), 0.30 inches (0.762 cm), or 0.31 inches (0.787 cm)).

[0120] In yet another example, the diameter of each aperture **412A-F** may be 0.022 inches (0.0559 cm), 0.020 inches (0.0508 cm), 0.018 inches (0.0457), or 0.016 inches (0.0406 cm), or may be 0.26 inches (0.660 cm), 0.27 inches (0.689), 0.28 inches (0.711 cm), or 0.29 inches (0.737 cm). In another embodiment, the diameter of each aperture **412A-F** may be 0.093 inches (0.236 cm). The number of apertures **412A-F** defined along the second region **420** of the crown **409** depends on the diameters of the apertures **412A-F**. The number and/or size of the plurality of apertures **412A-F** may vary based on the volume of the golf club head **400** (e.g., a golf club head less than or equal to 470 cc).

[0121] In the above, exemplary sizes for the apertures **412A-F** are provided. Because the apertures **412A-F** progressively increase in size, the smallest aperture **412A** may fall within the smaller of the above-described aperture sizes and the largest aperture **412F** may fall within the larger of the above-described aperture sizes, with the sizes of the apertures **412B-E** falling in between the sizes of the apertures **412A** and **412F**.

[0122] The plurality of apertures **412A-F** may also define different configurations and sizes. For example, the plurality of apertures **412A-F** may have a round-shaped configuration, an oval-shaped configuration, a diamond-shaped configuration, a square-shaped configuration, a rectangular-shaped configuration, a hexagon-shaped configuration, a pentagon-shaped configuration, a linear-shaped configuration, and/or a non-linear-shaped configuration. In addition, each row of apertures **412A**, **412B**, **412C**, **412D**, **412E** and **412F** may have



a different shape than the apertures of an adjacent row. Furthermore, the apertures in each row of apertures 412A-F may have different shapes and/or sizes than adjacent apertures in the same row. The pattern of the apertures 412A-F within the second region 120 may define a repeating pattern, non-repeating pattern, symmetrical pattern and/or non-symmetrical pattern; however, the apparatus, articles of manufacture, and methods described herein are not limited in this regard. Further, while the above examples may describe the plurality of apertures 412A-F being located on the crown 409 of the golf club head 400, the plurality of apertures 412 may be located on other portion(s) of a golf club head (e.g., the sole only, the crown and the sole, etc). The exemplary apertures 412A-F define six rows of progressively enlarging apertures. However, more or less rows, columns, or diagonally oriented apertures can be provided on the crown 409 that progressive increase and/or change in configuration.

[0123] In one embodiment, the golf club head 400 may be made from steel, steel alloy, titanium, titanium alloy (e.g., titanium 6-4 or titanium 8-1-1). In other embodiments, the golf club head 400 may be made from one or more materials including titanium, titanium alloys, magnesium, magnesium alloys, titanium aluminides, fiber-based composites, and metal matrix composites or mixtures thereof. In some embodiments, the fiber-based composite may be carbon fiber, fiberglass, or KEVLAR® or combinations thereof. In some embodiments, the percentage of titanium may be 10%, 20%, 30%, 40%, 50%, 60%, 70%, 80%, 90%, or 99% for titanium alloys and 100% for a golf club head 400 made entirely of 100% titanium. In other embodiments, the percentage of fiberglass may be 10%, 20%, 30%, 40%, 50%, 60%, 70%, 80%, 90%, or 100%. In yet other embodiments, the percentage of KEVLAR® may be 10%, 20%, 30%, 40%, 50%, 60%, 70%, 80%, 90%, or 100%. In some embodiments, the KEVLAR® may be any type of para-aramid synthetic fiber. In some embodiments the percentage of carbon fiber may be 10%, 20%, 30%, 40%, 50%, 60%, 70%, 80%, 90%, or 100%. In some embodiments, a golf club head according to the disclosure may be 50% titanium and 50% of one or more of the fiber-based composite(s), although in other embodiments a golf club head according to the disclosure may constitute any of the percentages for titanium noted above in combination with one or more respective percentages of the fiber-based composite(s).

[0124] Referring to FIG. 28, a flow chart illustrates one method for manufacturing a golf club head 400 with a plurality of apertures 412A-F. At block 4000, a mold (not shown) is provided for forming the golf club head 400. At block 4002, the golf club head 400 is formed using the mold having the face 402, sole 405, heel 406, toe 410, back 411, crown 409, and hosel 408 defining the aperture 413 configured to engage the shaft. In one embodiment, the crown 409 formed by the mold is defined between the back 411 and front edge 404 of the golf club head 400. In addition, the recess 428 may be defined along the crown 409 using the mold. At block 4004A, the apertures 412A are formed along the crown 409. At block 4004B, the apertures 412B are formed along the crown 409. The process for forming the apertures 412C-E similarly continues until at block 4004F, the apertures 412F are formed along the crown 409. According to the example described above, the plurality of apertures 412A-F may be formed using a stamping process that forms the apertures 412 entirely through the material of the crown 409. In the alternative, a plurality of recesses (not shown) may be formed into but not

entirely through the material of the crown 409 rather than the plurality of apertures 412A-F; however, the apparatus, articles of manufacture, and methods described herein are not limited in this regard. The plurality of apertures 412A-F may be formed simultaneously on the crown 409. For example, the stamping mold may include projections corresponding to all of the apertures 412A-F so that the apertures 412A-F can be formed with a single stamping process. However, any of the rows of apertures 412A, 412B, 412C, 412D, 412E or 412F may be formed on the crown 409 by a separate stamping mold and/or process. For example, the apertures 412A may be formed by a first stamping mold in a first stamping process, the apertures 412B may be formed by a second stamping mold in a second stamping process, the apertures 412C may be formed by a third stamping mold in a third stamping process, the apertures 412D may be formed by a fourth stamping mold in a fourth stamping process, the apertures 412E may be formed by a fifth stamping mold in a fifth stamping process, and the apertures 412F may be formed by a sixth stamping mold in a sixth stamping process. Thus, the apertures 412A-F may be formed in a single process or multiple processes.

[0125] At block 4006, the protective cover 430 may be configured to engage and cover the plurality of apertures 412 within the perimeter 424 defined along the portion of the crown 409. As discussed above, the protective cover 430 may be a film or tape made from a polycarbonate or plastic material having an adhesive on one side that permits the protective cover 430 to adhere to and cover either a portion or the entire crown 409, while in another embodiment the protective cover 430 may be rigid cover that is structurally engaged along the perimeter 424 defined by the recess 428 to cover the plurality of apertures 412. In either of these arrangements, the protective cover 430 permits the area of the second region 420 of the crown 409, for example the recess 428, to be at the same level as the first region 418 of the crown 409; however, the apparatus, articles of manufacture, and methods described herein are not limited in this regard.

[0126] Although a particular order of actions is illustrated in FIG. 28, these actions may be performed in other temporal sequences. For example, two or more actions depicted in FIG. 28 may be performed sequentially, concurrently, or simultaneously. Alternatively, two or more actions depicted may be performed in reversed order. Further, one or more actions depicted in FIG. 28 may not be performed at all. The apparatus, methods, and articles of manufacture described herein are not limited in this regard.

[0127] Referring to FIG. 29, a graph is shown illustrating the results of tests that were conducted on six different golf club heads to determine the stress characteristics generated by each respective golf club head after impact of a golf ball against the face of each golf club head. The tests were performed by measuring the amount of stress generated at the center of the crown over time for each golf club head. All of the golf club heads used in the tests were made from the same titanium alloy with the only difference being the size and arrangement of apertures in the crown with the exception of the reference golf club head having a solid crown. The graph includes a time line to illustrate the level of stress values generated at the center of the crown over time during and after impact of the golf ball. In addition, the time line includes a first vertical reference line 800 representing the time of peak impact as the golf ball is in contact with the face and a second reference line 810 representing the end of the golf ball's

contact with the face of the golf club head. Accordingly, the time period between the two reference lines **800** and **810** represent the time the golf ball is in actual contact with the face of the golf ball head during impact.

[0128] FIGS. **30-35** show the club heads **900**, **910**, **920**, **930**, **940** and **950**, respectively, which are used for the tests as described herein. The club head **900** is a reference club head, which does not have any apertures. The club head **910** is similar to the club head **100** of the embodiment of FIGS. **1-12** and includes a plurality of apertures **912**. In the embodiment of FIG. **31**, each of the apertures **912** has a diameter of 0.093 inch (0.2 cm). The club head **920** is also similar to the club head **100** of the embodiment of FIGS. **1-12** and includes a plurality of apertures **922**. However, each of the apertures **922** has a diameter of 0.3 inch (0.8 cm). Thus, the apertures **922** are larger than the apertures **912**. The club head **930** include two large apertures **932** with a reinforcing member **939** defining the apertures **932** on each side of the reinforcing member **939**. The club head **940** includes three large apertures **942** with two reinforcing members **949** defining the apertures **942** on each side thereof. The club head **950** includes a plurality of apertures **952** and a large kidney-shaped aperture **954** near the back of the club head **950**.

[0129] As shown in the graph of FIG. **29**, the above-described club heads were tested by measuring the stress on generally the center of each club's respective crown upon striking a golf ball with the face of each golf club. The club head **900** was used as a reference club head to provide an upper end metric for gauging the performance of the other golf club heads during and after the impact of the golf ball against the face. As the golf club head **900** generates a much smaller stress value with minimal or no oscillations over time at the center of the crown during and after impact of the golf ball, such a golf club head was considered an excellent reference or control golf club head for comparing the stress profiles of golf club heads having apertures of various sizes formed in the crown.

[0130] As discussed above, the club heads of FIGS. **30-35** are similar in size and shape and are constructed from the same materials. Accordingly, a stress vs. time plot (hereinafter referred to as the stress profile) for each of the golf club heads of FIGS. **30-35** shows the effect of aperture size and configuration on the stress profile of each club head when striking a golf ball. The stress profile of the reference club head **900** may represent an optimum stress profile relative to the stress profiles of the other club heads of FIGS. **31-35**. Thus, the stress profile of each of the club heads of FIGS. **31-35** can be compared to the stress profile of the reference club head **900** to determine the optimum club head aperture size and configuration among the club heads of FIGS. **31-35**. The fewer the number of apertures and/or the smaller the size of apertures on a club head, the closer the stress profile of the club head may resemble the stress profile of the reference club head **900**. However, having fewer apertures and/or smaller apertures may not provide sufficient weight reduction in the club head or sufficient shift in the center of gravity of the club head to improve the performance of the club head as compared to the club head **900**. Therefore, an optimum aperture size may be defined as an aperture size that provides a stress profile that is as close as possible to the stress profile of the club head **900**, while also providing the greatest weight reduction and shift in the center of gravity of the club head to optimize the performance of the club during use by an individual. Accordingly, an optimum range for an aperture size

may be defined by a range of aperture sizes proximate to the optimum aperture size, where an aperture size falling within the range provides a near optimum stress profile, weight reduction and center of gravity shift.

[0131] As shown in the graph, the performance characteristics of the reference golf club head **900** during impact of the golf ball against the face shows a peak stress value of only about 5,000 psi which quickly tapers off to a stress value of between 500-1000 psi with minimal or no oscillations as the golf ball continued to impact the face. Golf club head **910** seems to exhibit a similar stress profile as the golf club head **900**. Golf club head **910** reached a peak stress value of about 14,000 psi which also quickly tapered off to a value range of between 3,000-6,000 psi with minimal or no oscillations in the stress values after impact.

[0132] In contrast, golf club head **920** with the apertures having a diameter of 0.30 inches reached a peak stress value of about 23,000 psi with continuing oscillation of the stress values ranging between 4,000 psi to a peak value of about 24,000 psi well after the golf ball left the face of the golf club head **920** after impact. Golf club heads **930** and **940** showed even higher peak stress values and wider range of continual oscillations. Golf club head **950** having the plurality of apertures and the kidney-shaped aperture arrangement showed lower peak stress values than the golf club heads **930** and **940**, but higher stress values than the club head **910** with large continual oscillations in the tested time frame. In particular, golf club head **930** reached a high stress value of about 45,000 psi during impact with the golf ball and a peak stress value of about 55,000 psi after impact with continual oscillations of those stress values ranging as low as about 9,000 psi and as high as about 55,000 psi in a single oscillation. Golf club head **940** reached a high stress value of about 53,000 psi during impact with the golf ball and a peak stress value of about 80,000 psi after impact with the golf ball with sharp and relatively high peak stresses. Such high peak stress values relative to the elastic limit of the titanium alloy used to manufacture the golf club head may lead to structural failure of the golf club head. For example, titanium alloy has an elastic limit of between 115,000 psi to 125,000 psi and that it is desirable that the peak stress value be below 20% of that elastic limit, or about 23,000-25,000 psi. Based on the test results, golf club head **920** has a peak stress value that is approximately 20% of the elastic limit and golf club heads **930** and **940** reach a peak stress value that is approximately 32% and 44%, respectively, of the elastic limit. Golf club head **950** has a peak stress value that is slightly above the elastic limit. In comparison, the golf club head **910** and the reference golf club head **900** reach a peak stress value that is approximately 11% and 4%, respectively, which is substantially lower than the golf club heads **920**, **930**, **940** and **950**. As such, the golf club head **910** has a stress profile that is substantially lower than the other golf club heads **920**, **930**, **940** and **950** with apertures formed in the crown.

[0133] The results of these tests on the above-described six golf club heads with respect to the reference golf club head **900** show that the golf club head **910** with the apertures having a diameter of 0.093 inches has a substantially similar stress profile as the reference golf club head **900**. In particular, both the reference golf club head **900** and the golf club head **910** have stress values that form a substantially bell-shaped distribution during impact in that the stress values gradually rise and peak during impact and then gradually decrease with little or no oscillations after impact. This non-oscillatory

stress profile may be preferred because it applies less stress to the golf club head that can eventually cause structural failure of the golf club head and also provides for a proportional distribution of forces through the crown after impact with the golf ball. As noted above, this proportional distribution of forces may be preferred since it does not cause stress risers or stress collectors to be generated.

[0134] In contrast, as noted above, the golf club heads **920**, **930**, **940** and **950** having apertures larger than golf club head **910** showed significantly higher peak stress values at the center of the crown and an oscillatory stress profile that is undesirable since such peak stress values in combination with continued oscillations of stress values have been found to cause structural failure of the golf club head over time after repeated impacts by the golf ball. In one test, the number of impacts against the face of the subject golf club head may be between 1,000-2,000 impacts, 2,000-4,000 impacts, or 4,000 impacts or greater. Virtual impact analysis showed that structural failure occurred at the face and not along the crown of the golf club head **910**, while structural failure of the other golf club heads **920**, **930**, **940** and **950** occurred only at the crown, and in particular at those portions of the crown between the apertures due to high stress risers as compared to the golf club head **910**.

[0135] In another graph illustrated in FIG. 36, the stress profile of another embodiment of the golf club head, designated **960**, having a plurality of apertures with diameters of 0.25 inches (e.g., 0.64 cm) that fall within the range to provide optimal performance is shown. The stress profile of golf club head **960** was compared with the stress profiles of the reference golf club head **900**, the golf club head **910** with apertures having diameters of 0.093 inches (e.g., 0.24 cm), and the golf club head **920** with apertures having diameters of 0.30 inches (e.g. 0.76 cm). As shown in the graph of FIG. 36, golf club head **960** having apertures of 0.25 inches (e.g., 0.64 cm) reaches a peak stress value of about 22,000 psi during impact similar to golf club head **920** having apertures of 0.30 inches; however, the stress values of the golf club head **920** continue to oscillate after impact to substantially the same peak stress values (e.g., between 20,000 psi-22,000 psi) while the stress values of the golf club head **960** gradually decrease during impact and oscillate at much lower stress values ranging between 10,000 psi-12,000 psi to about 4,000 psi. The range of stress values for the golf club head **920** of between 4,000 psi to 22,000 psi (18,000 psi) is a much greater range of oscillation for bending the golf club head **920** than the range of 5,000 psi-10,000 psi (5,000 psi) of golf club head **960**, which would generate less bending. As such, the golf club head **960** may establish the upper limit for the size of the apertures according to the embodiment of FIGS. 1-12. In other words, golf club heads according to the embodiment of FIGS. 1-12 having apertures with diameters 0.25 inches (e.g., 0.64 cm) or less may fall within the range to provide optimal performance, while golf club heads having apertures with diameters greater than 0.25 inches may fall outside the range to provide optimal performance, depending on the material construction and other physical characteristics of the golf club head.

[0136] Referring to FIG. 36, tests were conducted on a modified reference club **980** to illustrate that the stress profile of a solid club golf club head with a crown depth that is half as thick as the reference golf club head **900** (e.g., 0.015 inches or 0.04 cm) is substantially similar to the stress profile of the golf club head **910** with a plurality of apertures **112** each

having a diameter of 0.093 inches (e.g., 0.24 cm) that falls within the range of optimal performance. As shown, golf club head **910** having a plurality of apertures **912** each with a diameter of 0.093 inches has a similar stress profile as the modified reference golf club head **980** with half as much thickness as the reference golf club head **900**, thereby proving that the golf club head **910** having a plurality of apertures **912** has similar a similar stress profile performance as a golf club head made from a solid construction.

[0137] The above tests were conducted on club heads having similar sizes, geometries, materials of construction, crown thicknesses (except for club head **980**), and other physical characteristics. Among the group of golf club heads **30-35**, the golf club head **31** having apertures of 0.093 inches appeared to yield near optimum results. However, for club heads having a different sizes, geometries, materials of construction, crown thickness and/or other physical characteristics than the golf club heads **30-35**, an aperture size other than 0.093 inches may yield near optimum results. For example, for a club head that is larger than the club heads **31**, an aperture size that is larger than 0.093 inches may yield near optimum results. Thus, although the experimental results discussed above find an aperture size of 0.093 inches to yield the best result among the group of tested club heads **31-35**, the experimental results do not limit an aperture size to a particular size for achieving near optimum or optimum results. Furthermore, the experimental results illustrate the effects of aperture configurations on the vibration and stress characteristics of golf club heads without limiting the aperture configurations to a particular configuration for achieving a preferred result.

[0138] In the embodiments described herein, the crown is hollow. Accordingly, when a ball is struck with the face of the golf club head, the vibrations of the crown produce sounds inside the crown, which are then emitted from the apertures on the crown similar to a guitar or violin or percussion instruments such as drums. The sizes, orientations, distribution patterns, shapes and other properties of the apertures and/or the crown may affect the sound that is produced by the golf club head when striking a ball. Accordingly, if a certain type of sound is preferred, the apertures and/or the crown can be configured to nearly produce or produce the certain type of sound. For example, a distinct sound may be produced by a certain aperture configuration associated with a certain brand of golf club so as to foster brand recognition among golfers.

[0139] Furthermore, the golf club heads with apertures and methods of manufacture discussed herein may be implemented in a variety of embodiments, and the foregoing discussion of these embodiments does not necessarily represent a complete description of all possible embodiments. Rather, the detailed description of the drawings, and the drawings themselves, disclose at least one preferred embodiment of golf club heads with edge configuration and methods of manufacture, and may disclose alternative embodiments of golf club heads with apertures and methods of manufacture. It is intended that the scope of golf club heads with apertures and methods of manufacture shall be defined by the appended claims.

[0140] All elements claimed in any particular claim are essential to golf clubs with apertures or methods of manufacture claimed in that particular claim. Consequently, replacement of one or more claimed elements constitutes reconstruction and not repair. Additionally, benefits, other advantages, and solutions to problems have been described with regard to

specific embodiments. The benefits, advantages, solutions to problems, and any element or elements that may cause any benefit, advantage, or solution to occur or become more pronounced, however, are not to be construed as critical, required, or essential features or elements of any or all of the claims.

[0141] While the invention has been described in connection with various aspects, it will be understood that the invention is capable of further modifications. This application is intended to cover any variations, uses or adaptation of the invention following, in general, the principles of the invention, and including such departures from the present disclosure as come within the known and customary practice within the art to which the invention pertains.

What is claimed is:

- 1. A golf club head comprising:
  - a face, a heel, a toe, and a top edge;
  - a back defined opposite the face;
  - a crown extending between the top edge of the face to the back and between the heel to the toe, the crown comprising:
    - a first region having a center portion being concave relative to the face;
    - a second region between the first region and the back; and
    - a plurality of apertures in the second region, a largest dimension of at least one aperture being less than or equal 0.3 inch.
- 2. The golf club head of claim 1, wherein all of the apertures have generally the same largest dimension.
- 3. The golf club head of claim 1, wherein at least two of the apertures have different largest dimensions.
- 4. The golf club head of claim 1, wherein the plurality of apertures defines at least one repeating pattern of apertures.
- 5. The golf club head of claim 1, further comprising a recess defined in the second region, wherein the plurality of apertures is defined within the recess.
- 6. The golf club head of claim 1, further comprising a protective cover configured to engage the crown to cover the plurality of apertures.
- 7. The golf club head of claim 1, wherein the number of the plurality of apertures is in a range of between 60 to 1500 apertures.
- 8. A golf club head comprising:
  - a face, a heel, a toe, and a top edge;
  - a back defined opposite the face;
  - a crown extending between the top edge of the face to the back and between the heel to the toe, the crown comprising:
    - a second region between the first region and the back;
    - a plurality of apertures in the second region, a largest dimension of at least one aperture being less than or equal 0.3 inch; and
    - at least one reinforcing rib in the second region and extending between the face and the back, wherein a smallest width of the reinforcing rib is greater than the greatest dimension.
- 9. The golf club head of claim 8, wherein all of the apertures have generally the same largest dimension.

- 10. The golf club head of claim 8, wherein at least two of the apertures have different largest dimensions.
- 11. The golf club head of claim 8, wherein the plurality of apertures defines at least one repeating pattern of apertures.
- 12. The golf club head of claim 8, further comprising a recess defined in the second region, wherein the plurality of apertures is defined within the recess.
- 13. The golf club head of claim 8, further comprising a protective cover configured to engage the crown to cover the plurality of apertures.
- 14. The golf club head of claim 8, wherein the number of the plurality of apertures is in a range of between 60 to 1500 apertures.
- 15. A golf club head comprising:
  - a face, a heel, a toe, and a top edge;
  - a back defined opposite the face; and
  - a crown extending between the top edge of the face to the back and between the heel to the toe and comprising a plurality of apertures in the second region, wherein a size of each aperture progressively increases as compared to an adjacent aperture in a direction from the face to the back.
- 16. The golf club head of claim 15, wherein the plurality of apertures defines at least one repeating pattern of apertures.
- 17. The golf club head of claim 15, further comprising a recess defined in the second region, wherein the plurality of apertures is defined within the recess.
- 18. The golf club head of claim 15, further comprising a protective cover configured to engage the crown to cover the plurality of apertures.
- 19. The golf club head of claim 15, wherein the number of the plurality of apertures is in a range of between 60 to 1500 apertures.
- 20. A method for manufacturing a club head for a golf club comprising:
  - forming a club head comprising a face, a heel, a toe, a top edge, a back defined opposite the face, and a crown extending between the top edge of the face to the back and between the heel to the toe;
  - forming a plurality of apertures in the crown, a largest dimension of at least one aperture being less than or equal 0.3 inch, the crown defining a first region having a center portion being concave relative to the face, and a second region between the first region and the back, wherein the apertures are formed in the second region.
- 21. The method of claim 20, further comprising forming a recess in the second region prior to forming the plurality of apertures in the second region.
- 22. The method of claim 20, wherein forming the plurality of apertures includes stamping the crown to form the plurality of apertures.
- 23. The method of claim 20, further comprising forming at least one reinforcing rib in the second region.
- 24. The method of claim 20, further comprising forming at least one reinforcing rib in the second region, the reinforcing rib defined by portions of the second region being without apertures.
- 25. The method of claim 20, further comprising attaching a cover on the second region.

\* \* \* \* \*