



(12) **United States Design Patent**
Bertone et al.

(10) **Patent No.:** **US D652,464 S**
(45) **Date of Patent:** **** Jan. 17, 2012**

(54) **GOLF CLUB**

DESCRIPTION

(75) Inventors: **Antonio M. Bertone**, Winchester, MA (US); **Robert A. Phillion**, Carlsbad, CA (US); **Douglas E. Roberts**, Carlsbad, CA (US); **Brian S. Zender**, Carlsbad, CA (US); **Thomas W. Preece**, San Diego, CA (US)

(73) Assignee: **Cobra Golf Incorporated**, Carlsbad, CA (US)

(**) Term: **14 Years**

(21) Appl. No.: **29/376,169**

(22) Filed: **Oct. 1, 2010**

(51) **LOC (9) Cl.** **21-02**
(52) **U.S. Cl.** **D21/733; D21/756**
(58) **Field of Classification Search** D21/733,
D21/752, 759, 756, 757; 473/324-331, 343-346,
473/300-303, 316-323
See application file for complete search history.

(56) **References Cited**

U.S. PATENT DOCUMENTS

D453,365	S	*	2/2002	Carr et al.	D21/752
D461,513	S	*	8/2002	Madore et al.	D21/733
D461,862	S	*	8/2002	Madore et al.	D21/752
D537,895	S	*	3/2007	Breier et al.	D21/752
D553,210	S	*	10/2007	Harvell et al.	D21/752
D553,211	S	*	10/2007	Harvell et al.	D21/752
D591,812	S	*	5/2009	Breier et al.	D21/752
D618,294	S	*	6/2010	Morris et al.	D21/752
2009/0314398	A1	*	12/2009	Shaar, Jr.	150/160

* cited by examiner

Primary Examiner — Mitchell Siegel

(74) *Attorney, Agent, or Firm* — Mark S. Leonardo; Brown Rudnick LLP

(57) **CLAIM**

The ornamental design for a golf club, as shown and described.

FIG. 1 is a bottom, heel side perspective view of a golf club embodying our new design; the drawing is lined for color, illustrating a white grip, white shaft, and white club head crown;

FIG. 2 is a heel side view thereof; the drawing is lined for color, illustrating a white club grip, white shaft, and white club head crown;

FIG. 3 is a toe side view thereof; the drawing is lined for color, illustrating a white club grip, white shaft, and white club head crown;

FIG. 4 is a back side view thereof; the drawing is lined for color, illustrating a white club grip, white shaft, and white club head crown;

FIG. 5 is a top side view thereof; the drawing is lined for color, illustrating a white club grip, white shaft, and white club head crown;

FIG. 6 is a bottom side view thereof; the drawing is lined for color, illustrating a white club grip, white shaft, and white club head crown;

FIG. 7 is a front side view thereof; the drawing is lined for color, illustrating a white club grip, white shaft, and white club head crown;

FIG. 8 is a bottom, heel side perspective view of a golf club embodying our new design; the drawing is lined for color, illustrating a white club grip, white shaft, and white club head crown;

FIG. 9 is a heel side view thereof; the drawing is lined for color, illustrating a white club grip, white shaft, and white club head crown;

FIG. 10 is a toe side view thereof; the drawing is lined for color, illustrating a white club grip, white shaft, and white club head crown;

FIG. 11 is a back side view thereof; the drawing is lined for color, illustrating a white club grip, white shaft, and white club head crown;

FIG. 12 is a top side view thereof; the drawing is lined for color, illustrating a white club grip, white shaft, and white club head crown;

FIG. 13 is a bottom side view thereof; the drawing is lined for color, illustrating a white club grip, white shaft, and white club head crown;

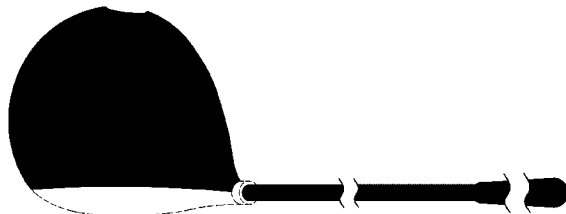
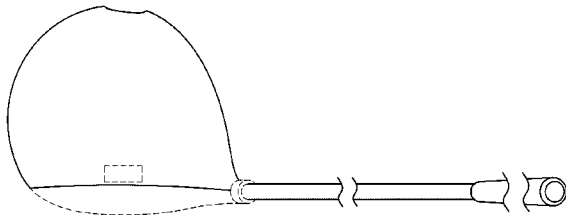


FIG. 14 is a front side view thereof; the drawing is lined for color, illustrating a white club grip, white shaft, and white club head crown;

FIG. 15 is a bottom, heel side perspective view of a golf club embodying our new design; the drawing is lined for color, illustrating a black club grip, black shaft, and black club head crown;

FIG. 16 is a heel side view thereof; the drawing is lined for color, illustrating a black club grip, black shaft, and black club head crown;

FIG. 17 is a toe side view thereof; the drawing is lined for color, illustrating a black club grip, black shaft, and black club head crown;

FIG. 18 is a back side view thereof; the drawing is lined for color, illustrating a black club grip, black shaft, and black club head crown;

FIG. 19 is a top side view thereof; the drawing is lined for color, illustrating a black club grip, black shaft, and black club head crown;

FIG. 20 is a bottom side view thereof; the drawing is lined for color, illustrating a black club grip, black shaft, and black club head crown;

FIG. 21 is a front side view thereof; the drawing is lined for color, illustrating a black club grip, black shaft, and black club head crown;

FIG. 22 is a bottom, heel side perspective view of a golf club embodying our new design; the drawing is lined for color, illustrating a black club grip, black shaft, and black club head crown;

FIG. 23 is a heel side view thereof; the drawing is lined for color, illustrating a black club grip, black shaft, and black club head crown;

FIG. 24 is a toe side view thereof; the drawing is lined for color, illustrating a black club grip, black shaft, and black club head crown;

FIG. 25 is a back side view thereof; the drawing is lined for color, illustrating a black club grip, black shaft, and black club head crown;

FIG. 26 is a top side view thereof; the drawing is lined for color, illustrating a black club grip, black shaft, and black club head crown;

FIG. 27 is a bottom side view thereof; the drawing is lined for color, illustrating a black club grip, black shaft, and black club head crown;

FIG. 28 is a front side view thereof; the drawing is lined for color, illustrating a black club grip, black shaft, and black club head crown; and,

FIG. 29 is a bottom side view of a golf club embodying our new design.

All features illustrated in phantom line are expressly disclaimed and form no part of the claimed design.

1 Claim, 29 Drawing Sheets

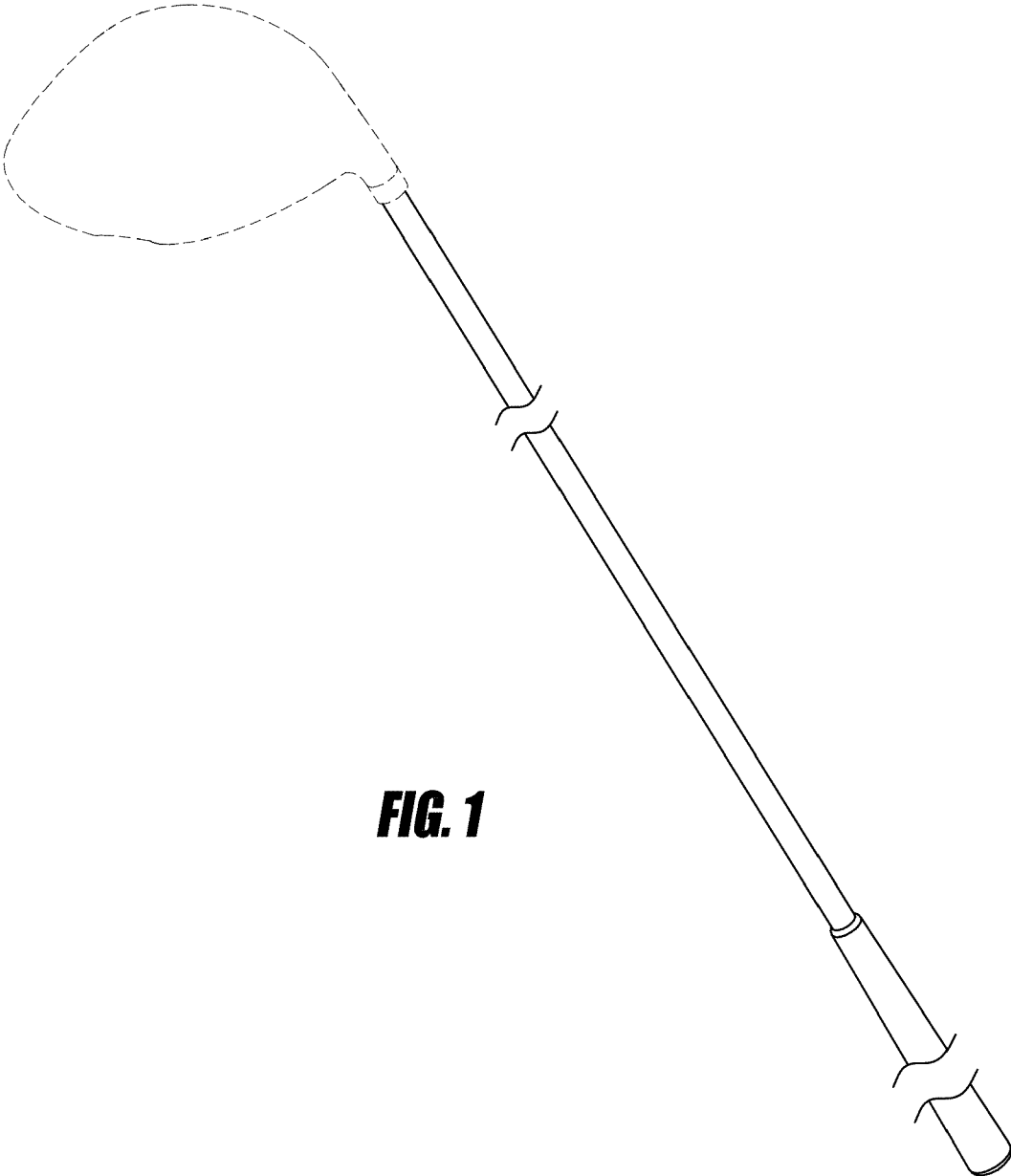


FIG. 1

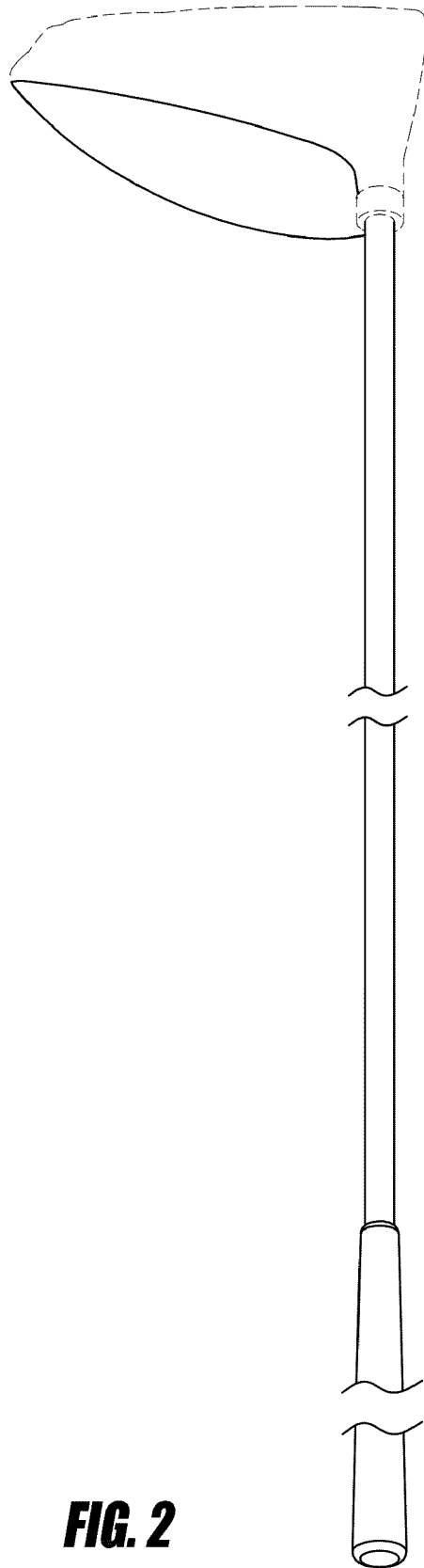


FIG. 2

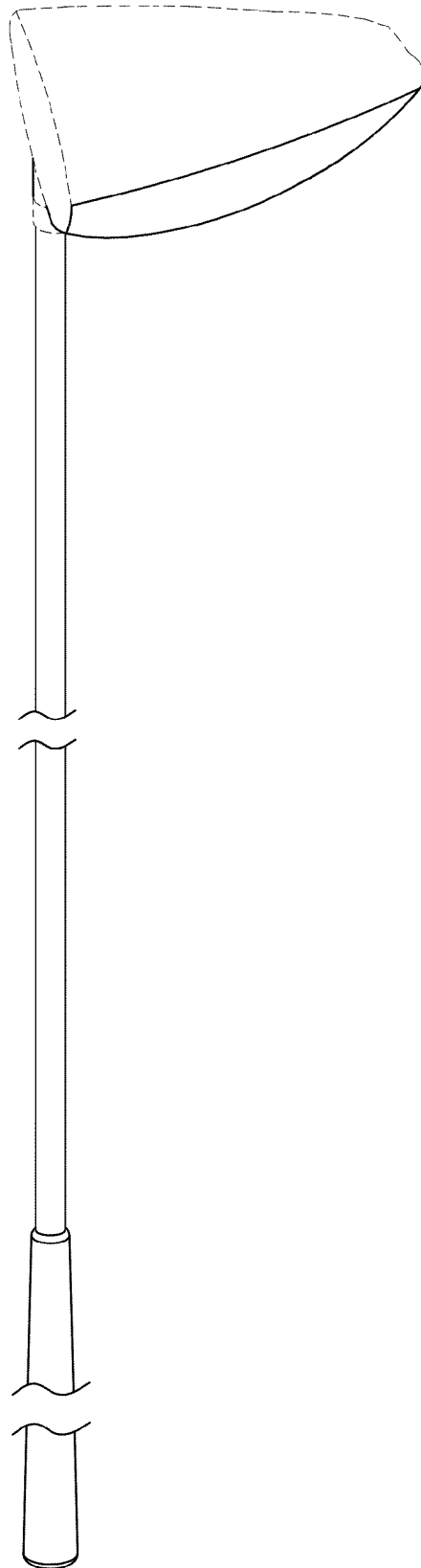


FIG. 3

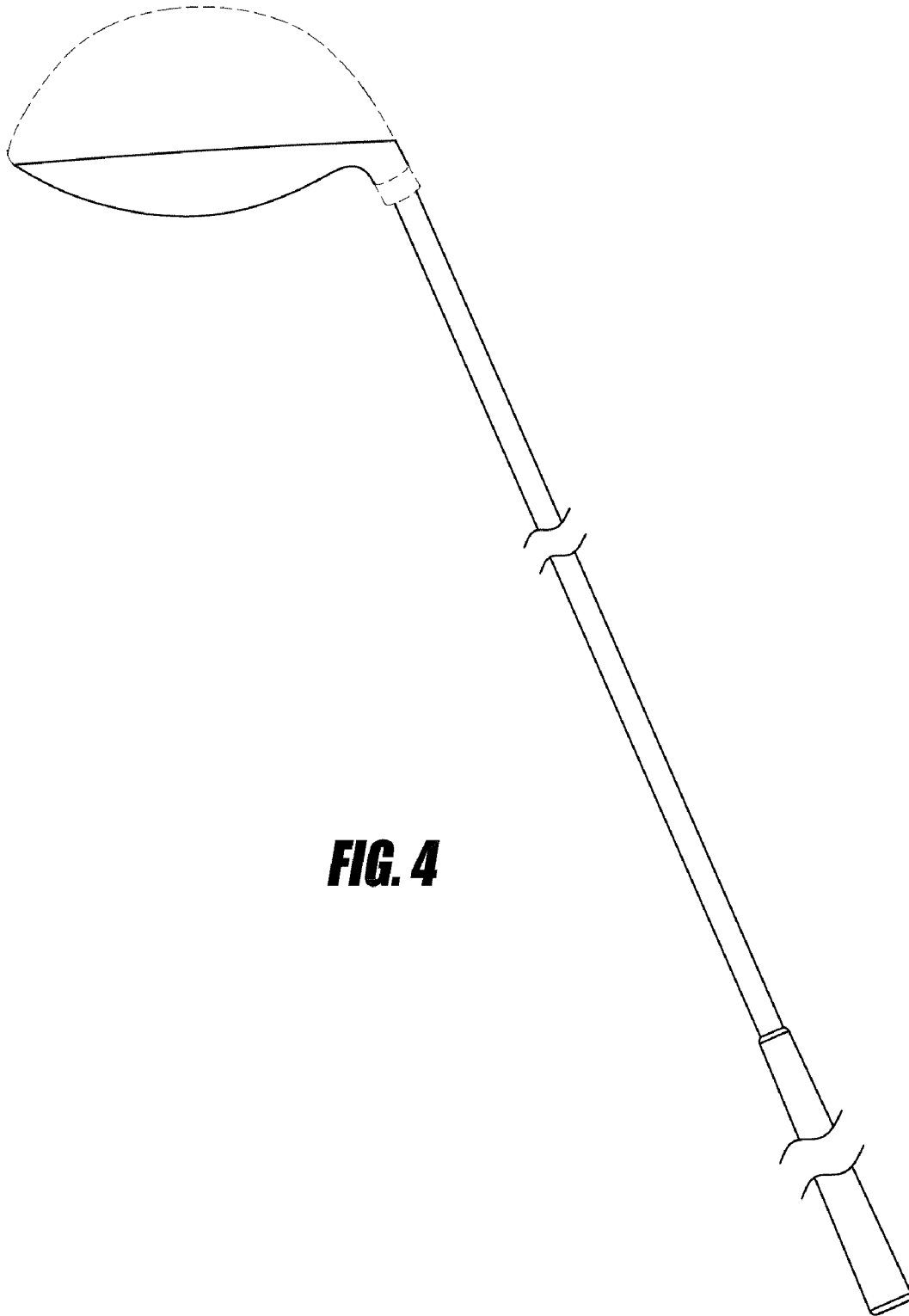


FIG. 4

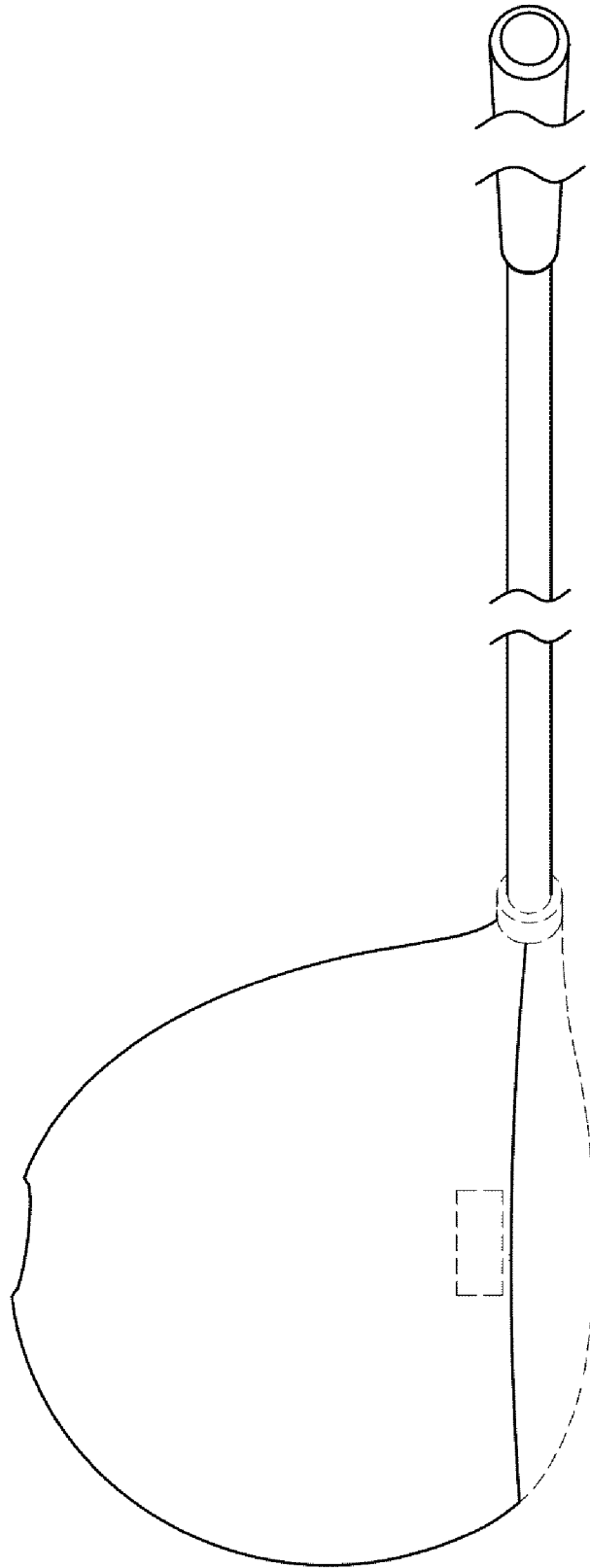


FIG. 5

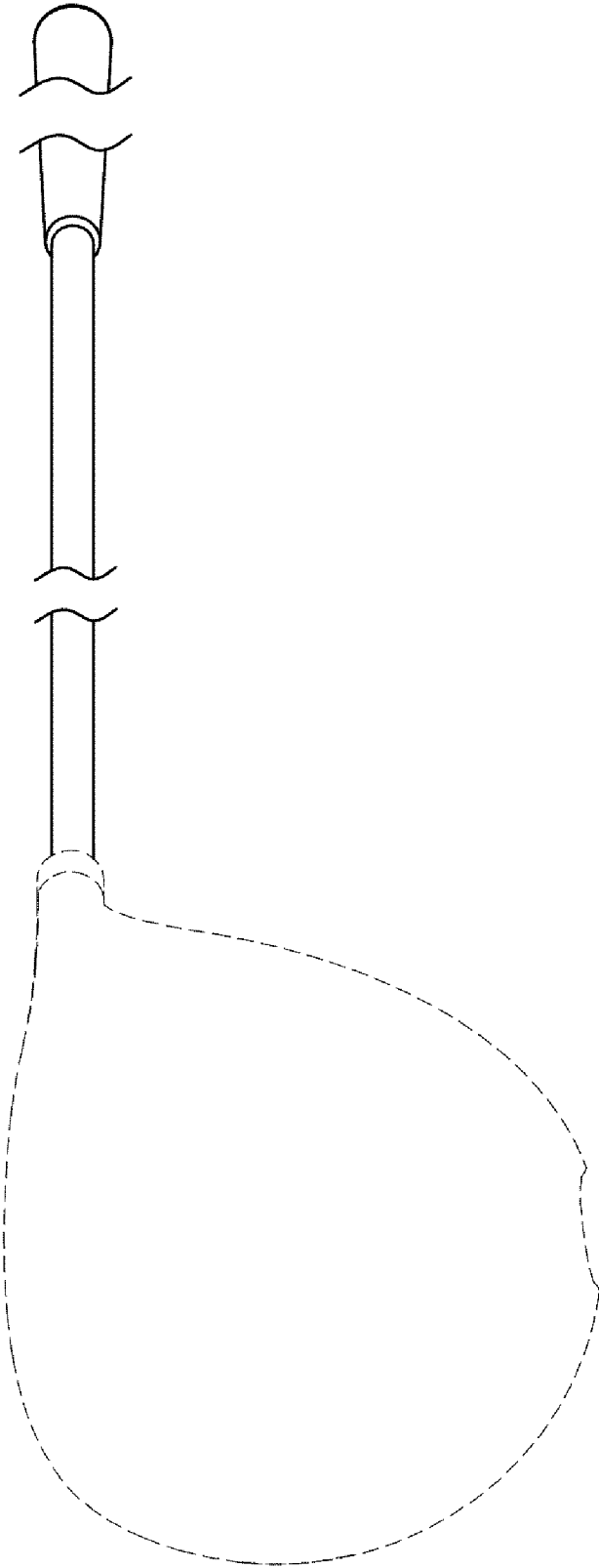


FIG. 6

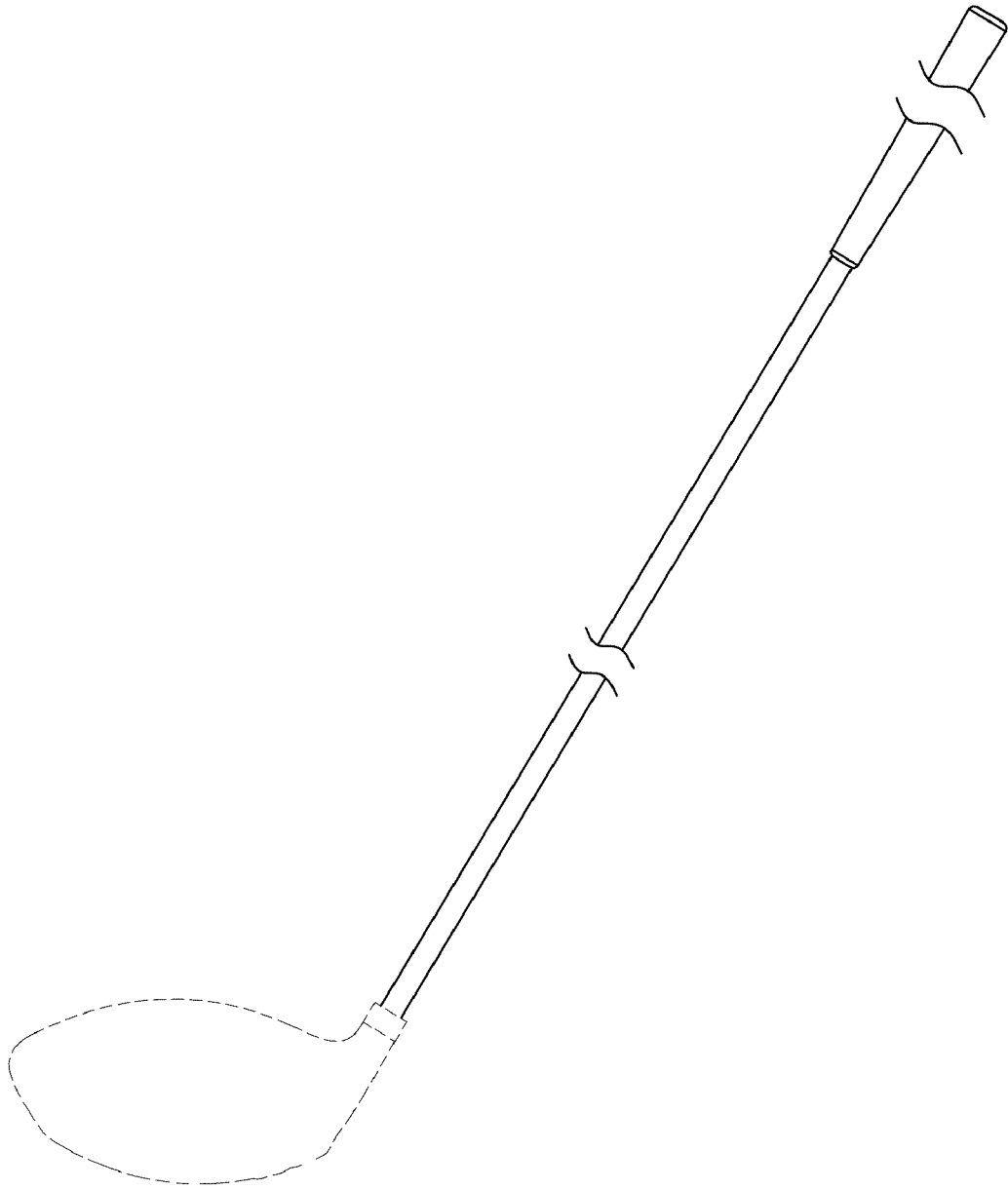


FIG. 7

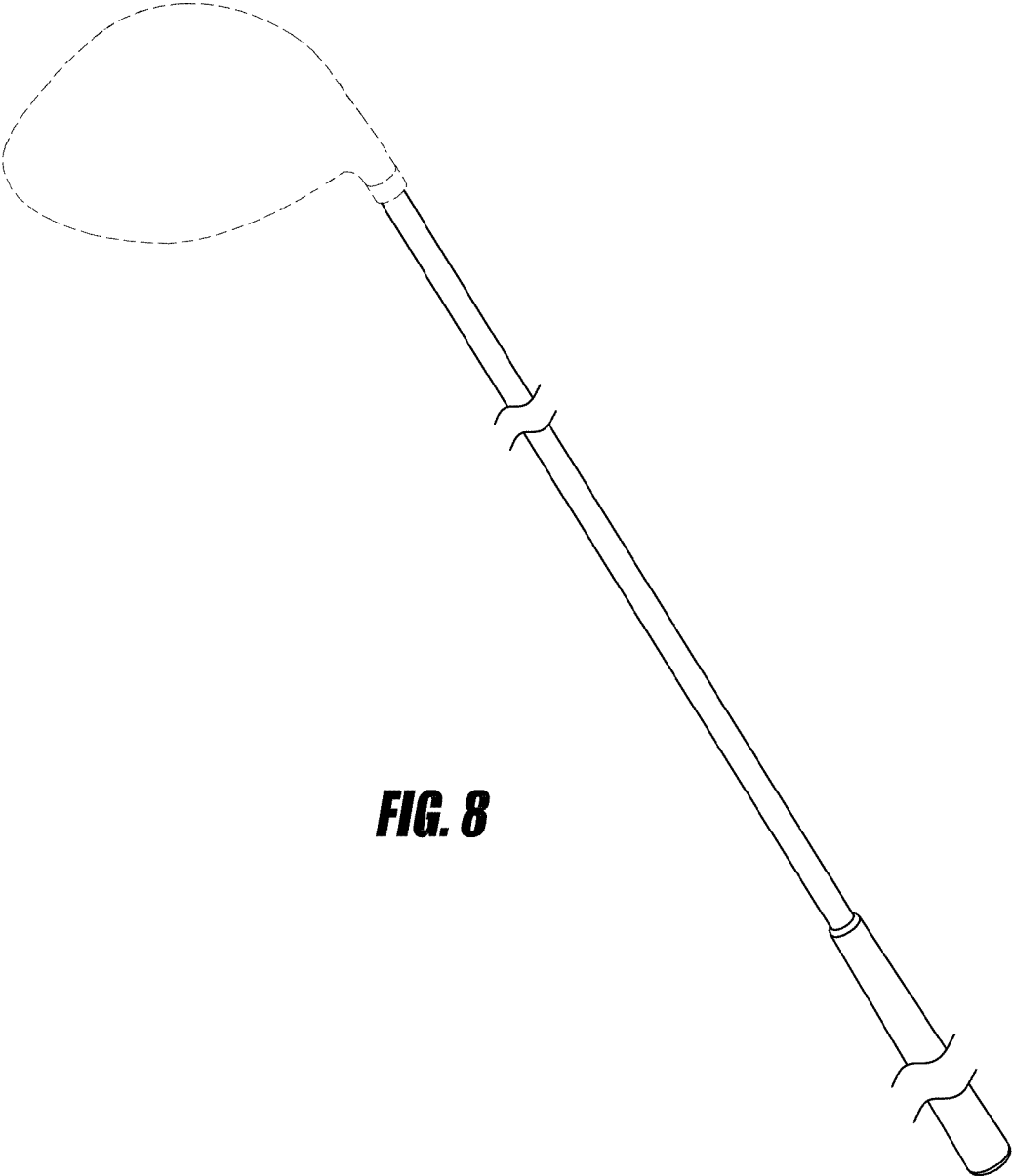


FIG. 8

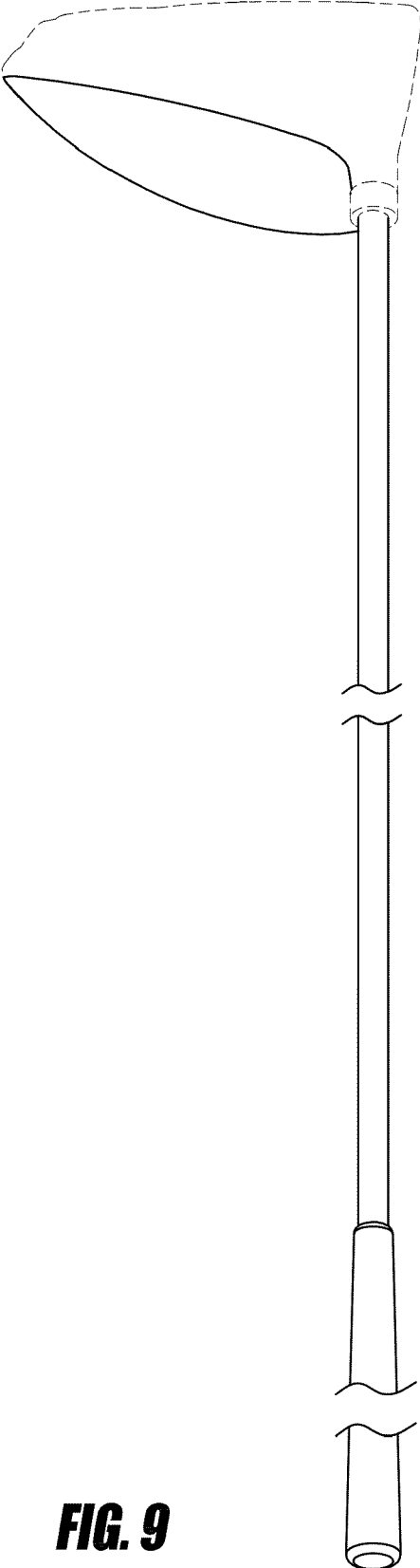


FIG. 9

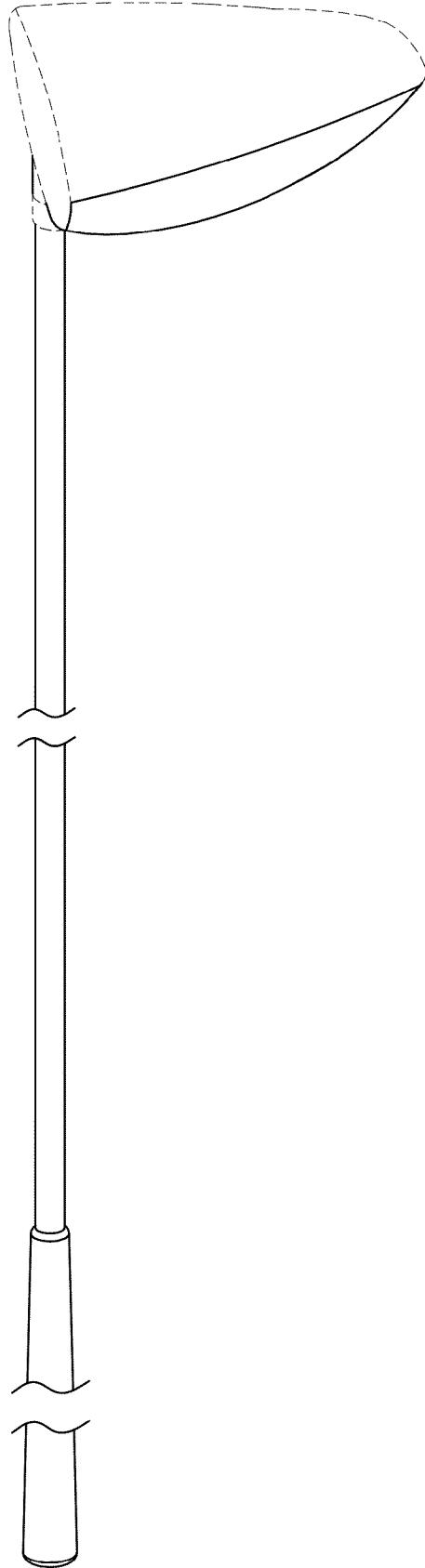


FIG. 10

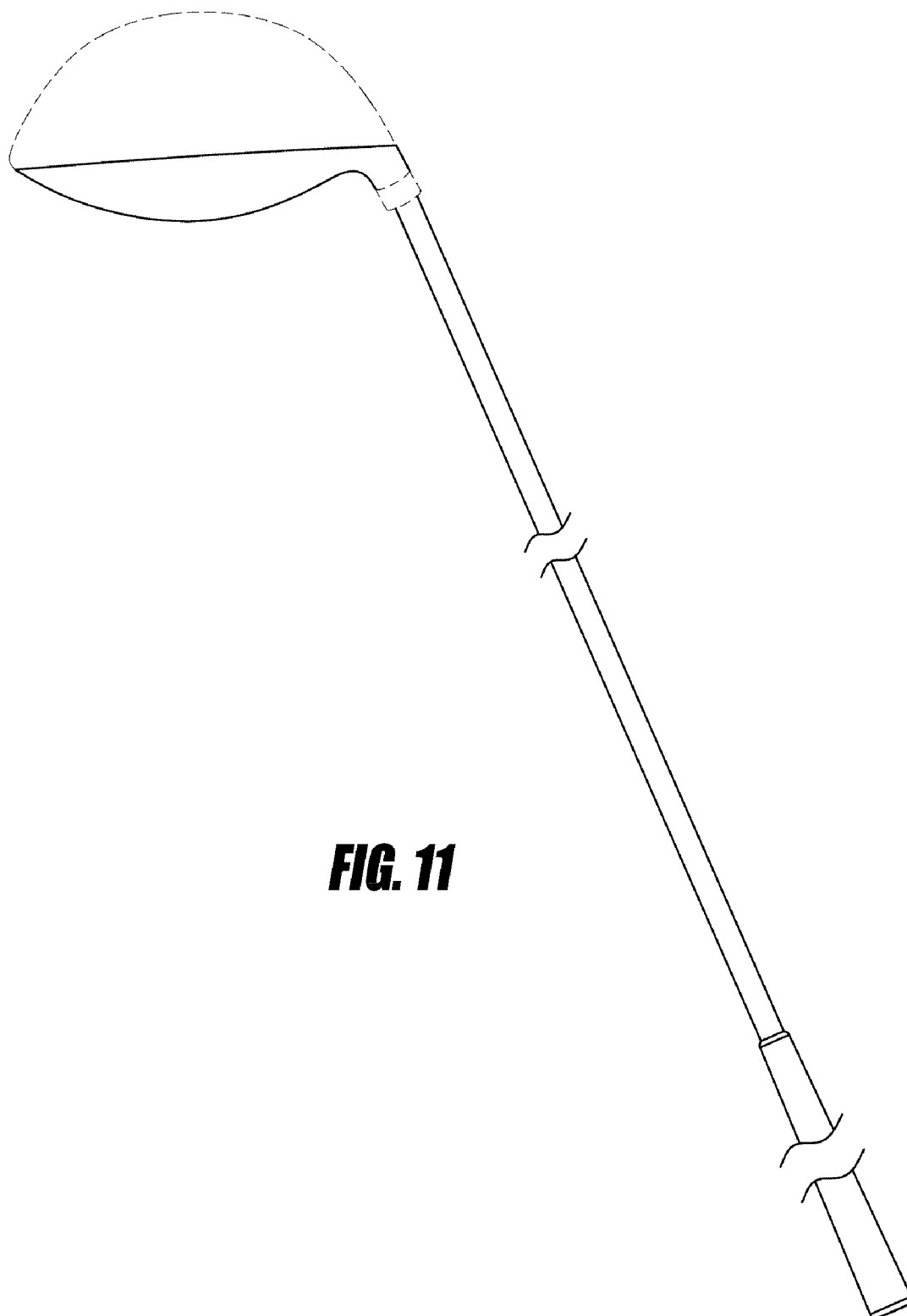


FIG. 11

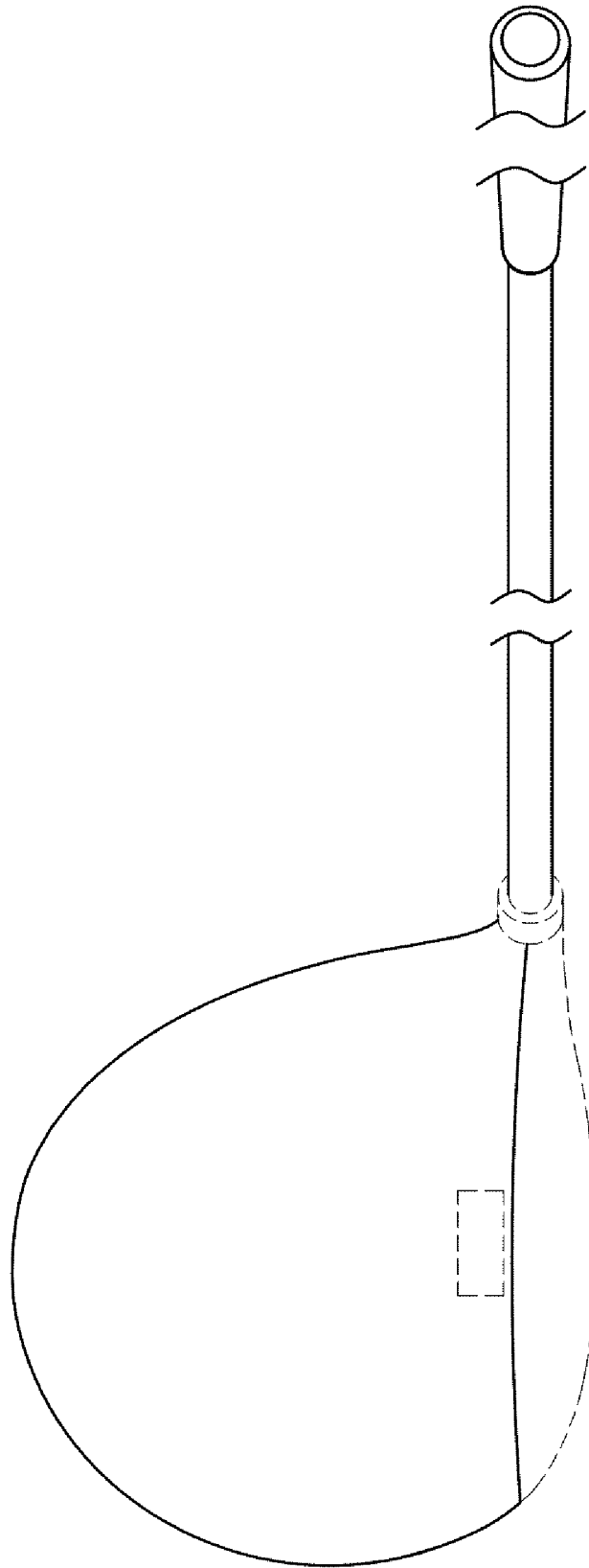


FIG. 12

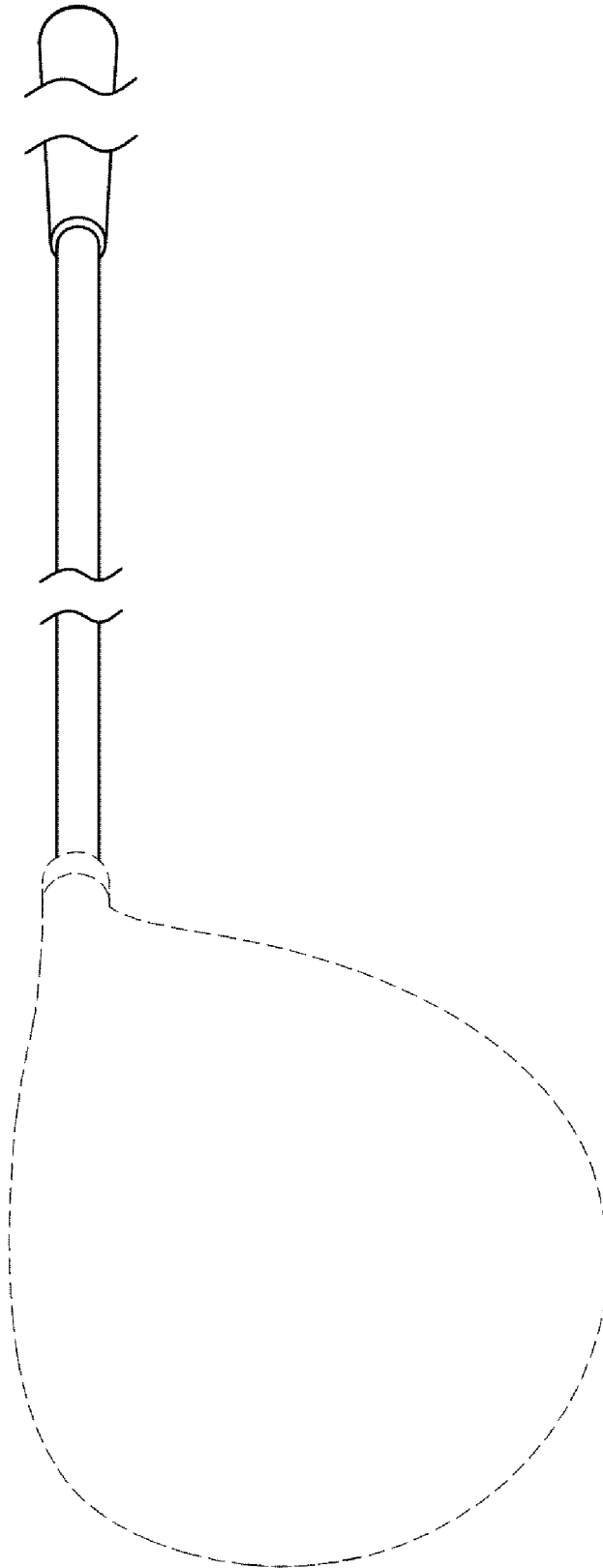


FIG. 13

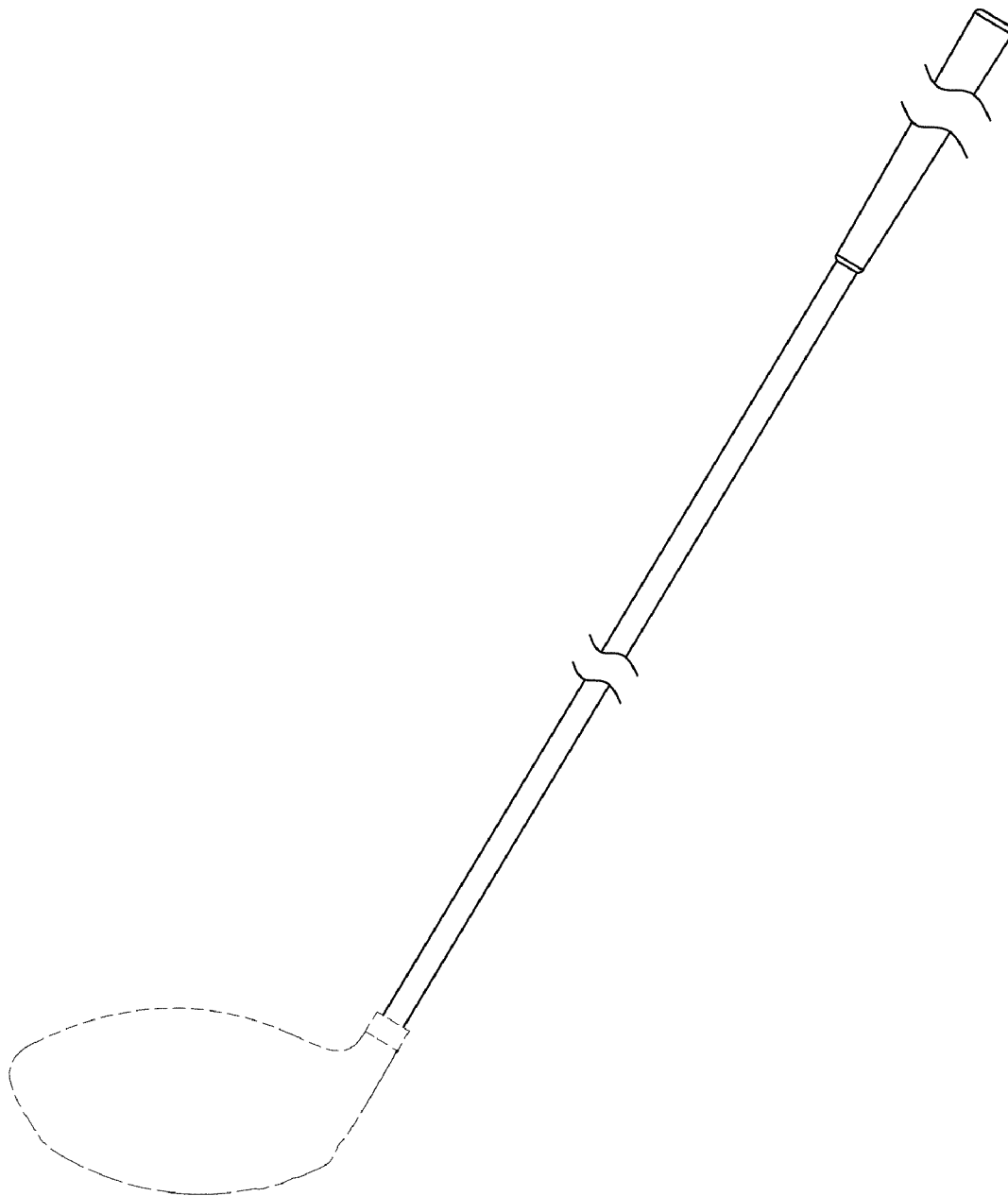


FIG. 14

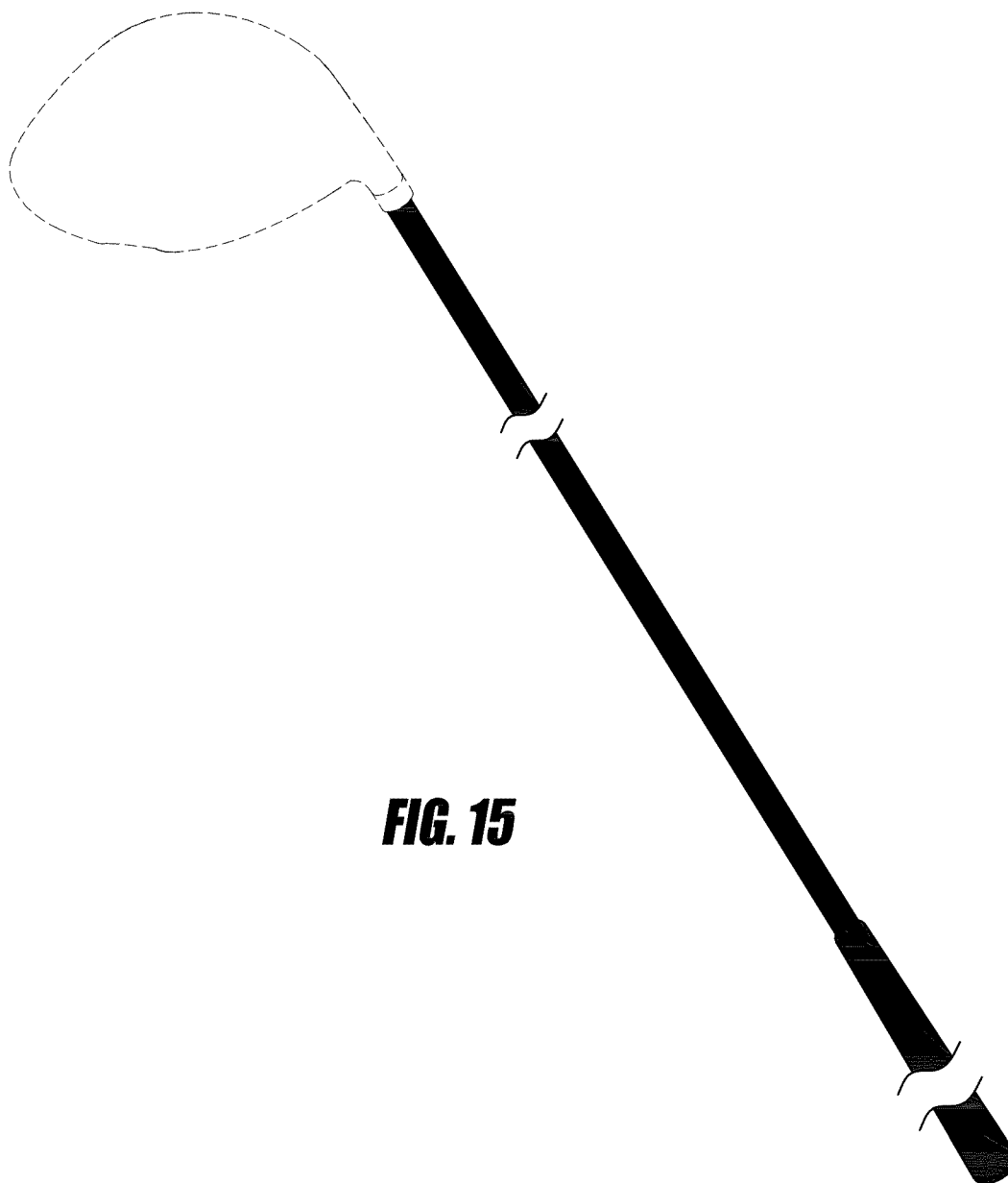


FIG. 15

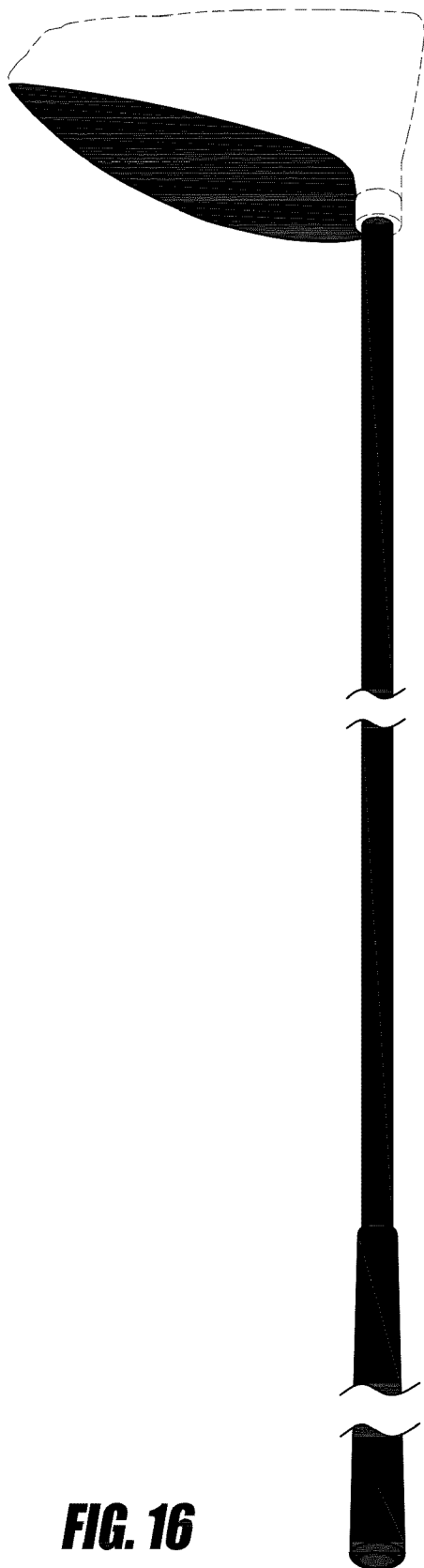


FIG. 16

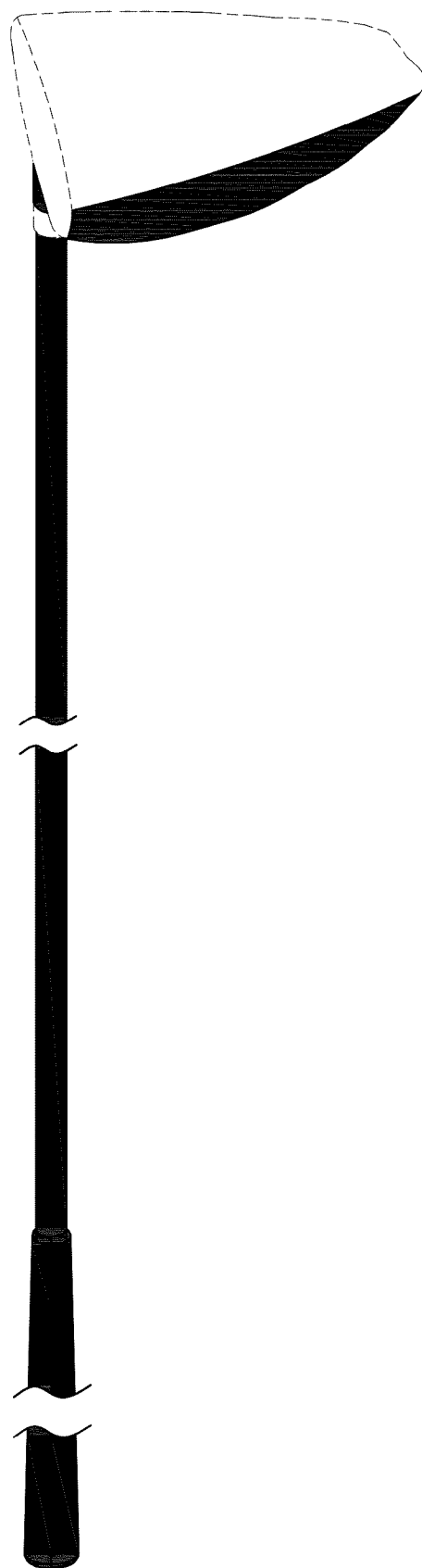


FIG. 17

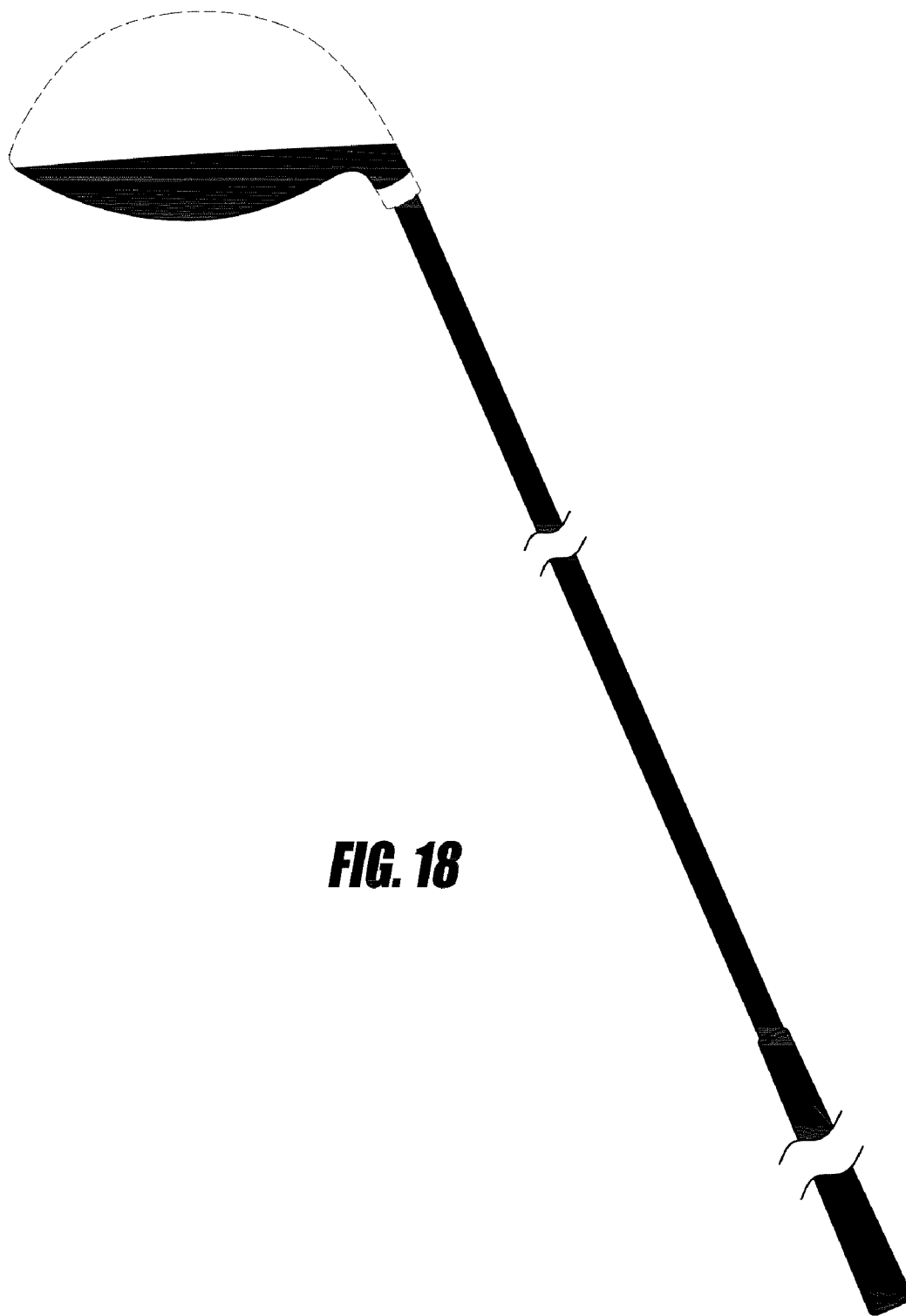


FIG. 18

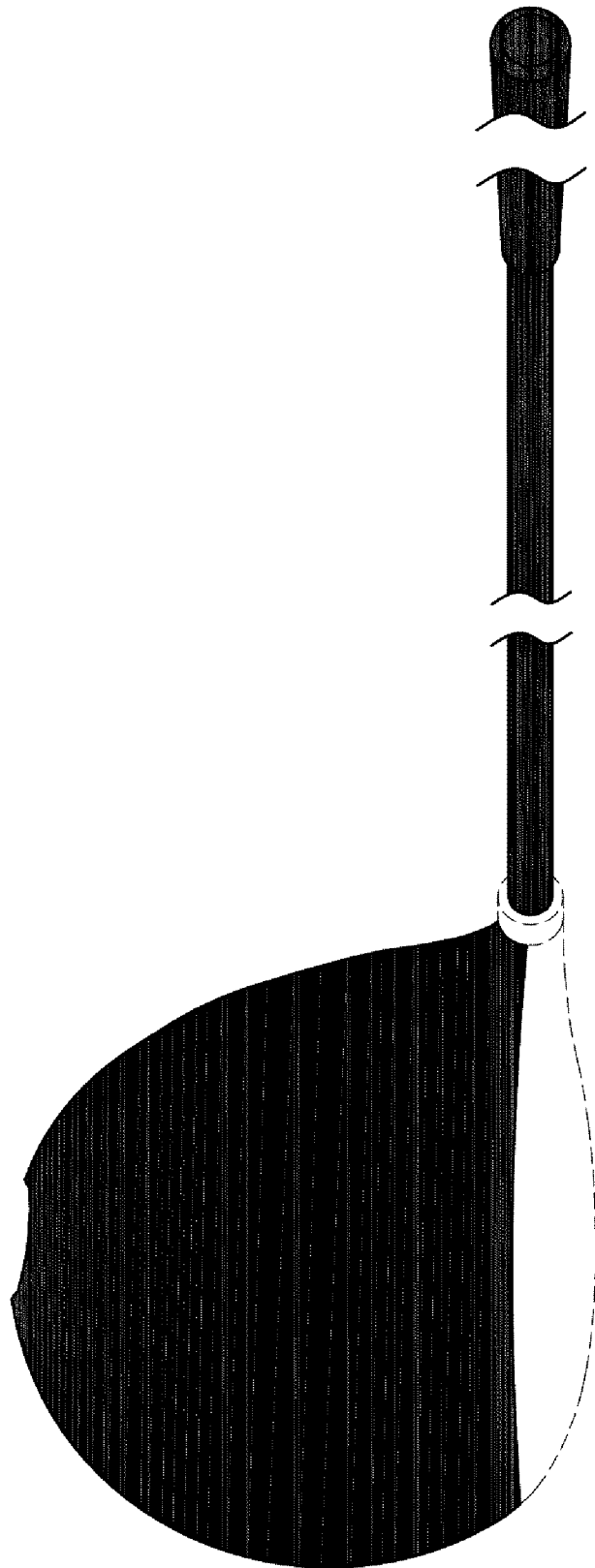


FIG. 19

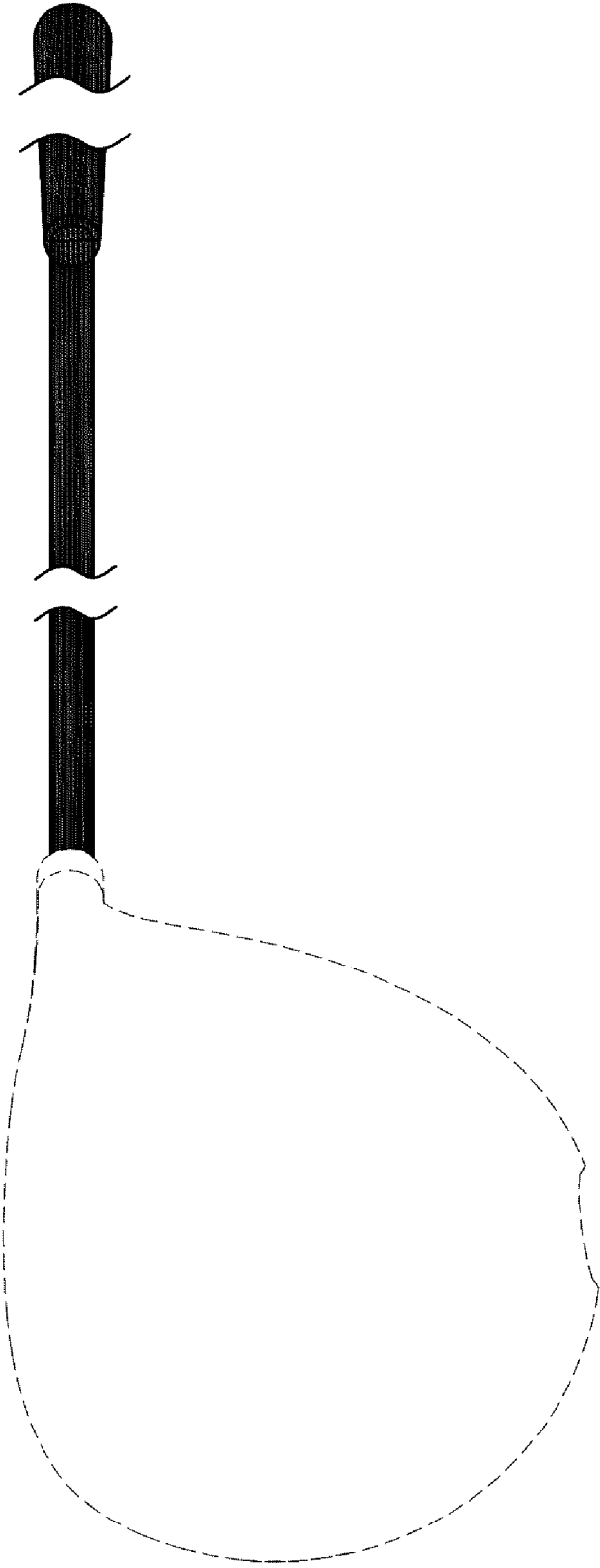


FIG. 20

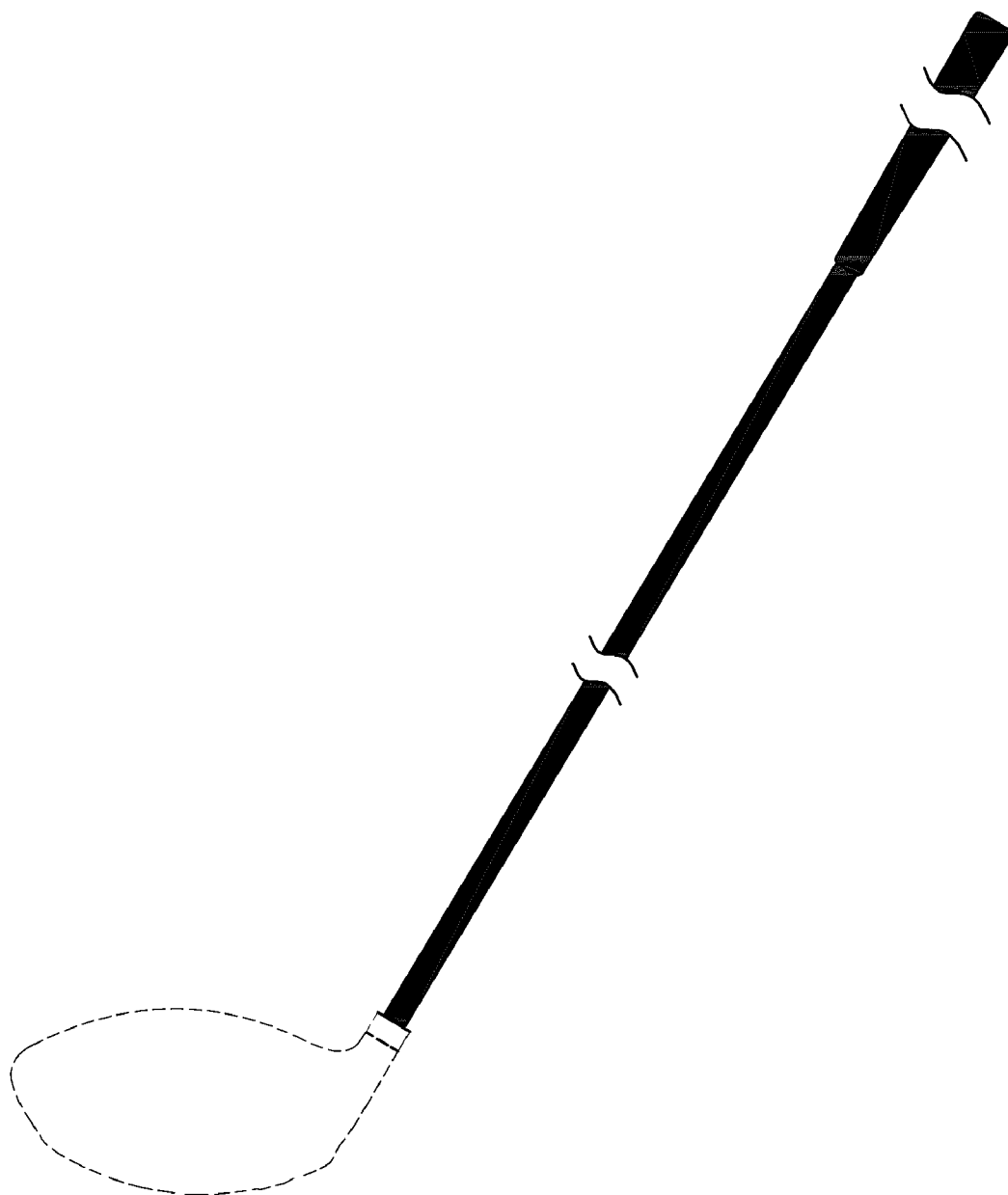


FIG. 21

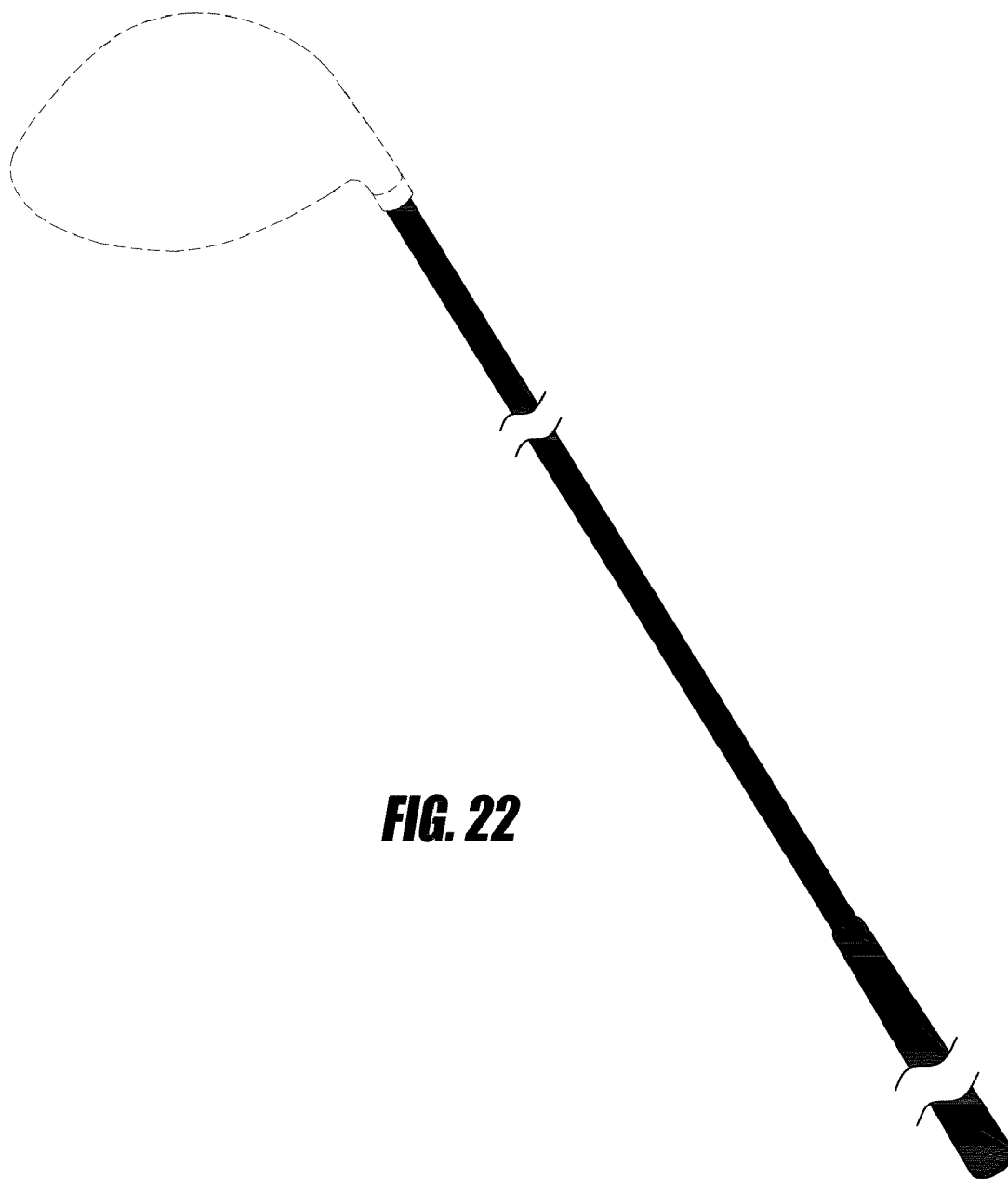


FIG. 22

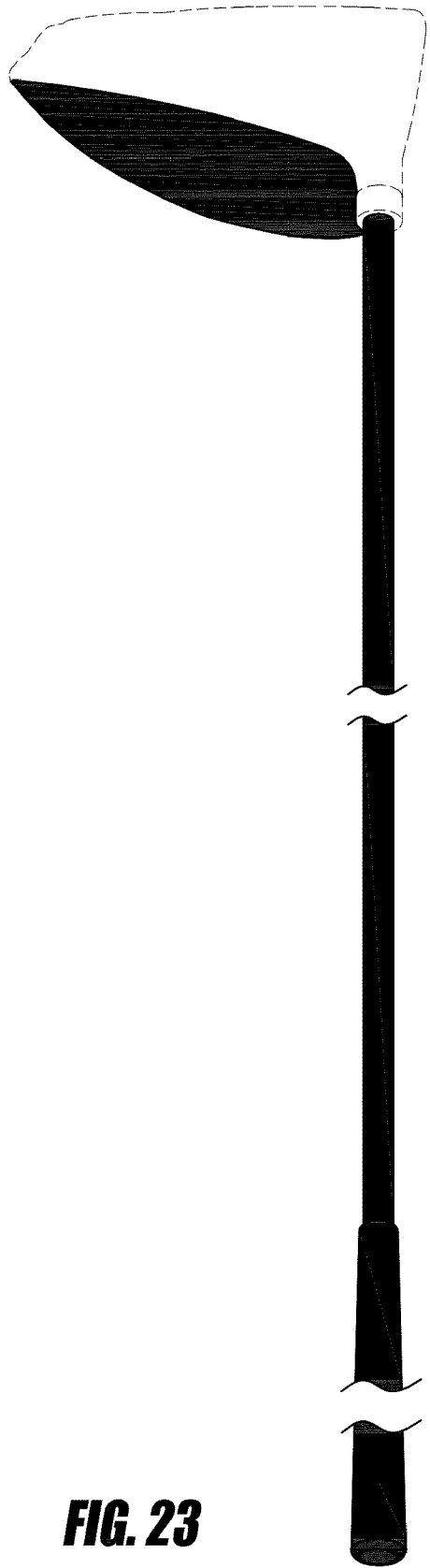


FIG. 23

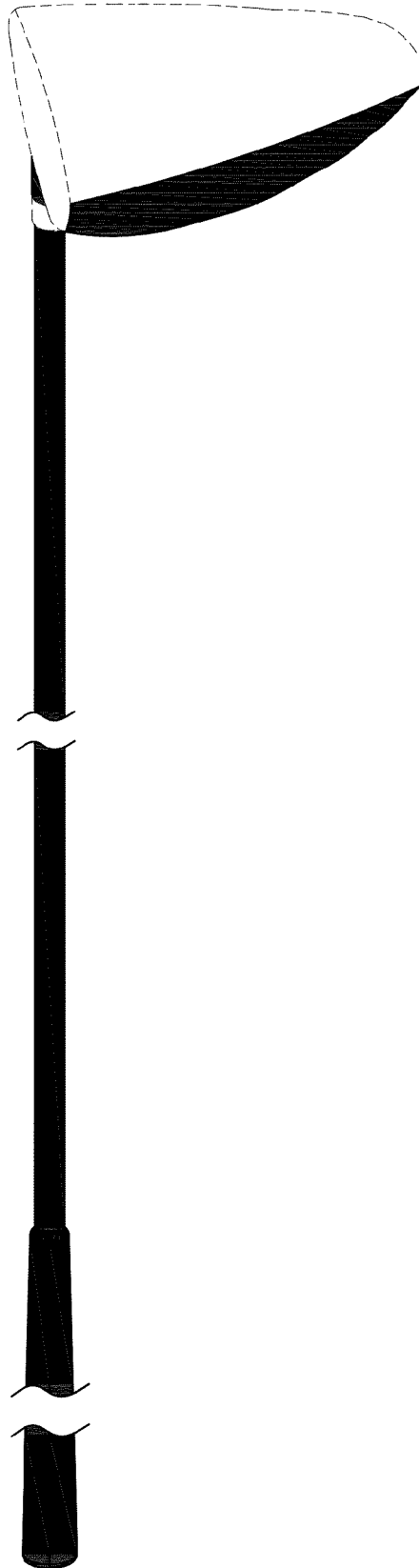


FIG. 24

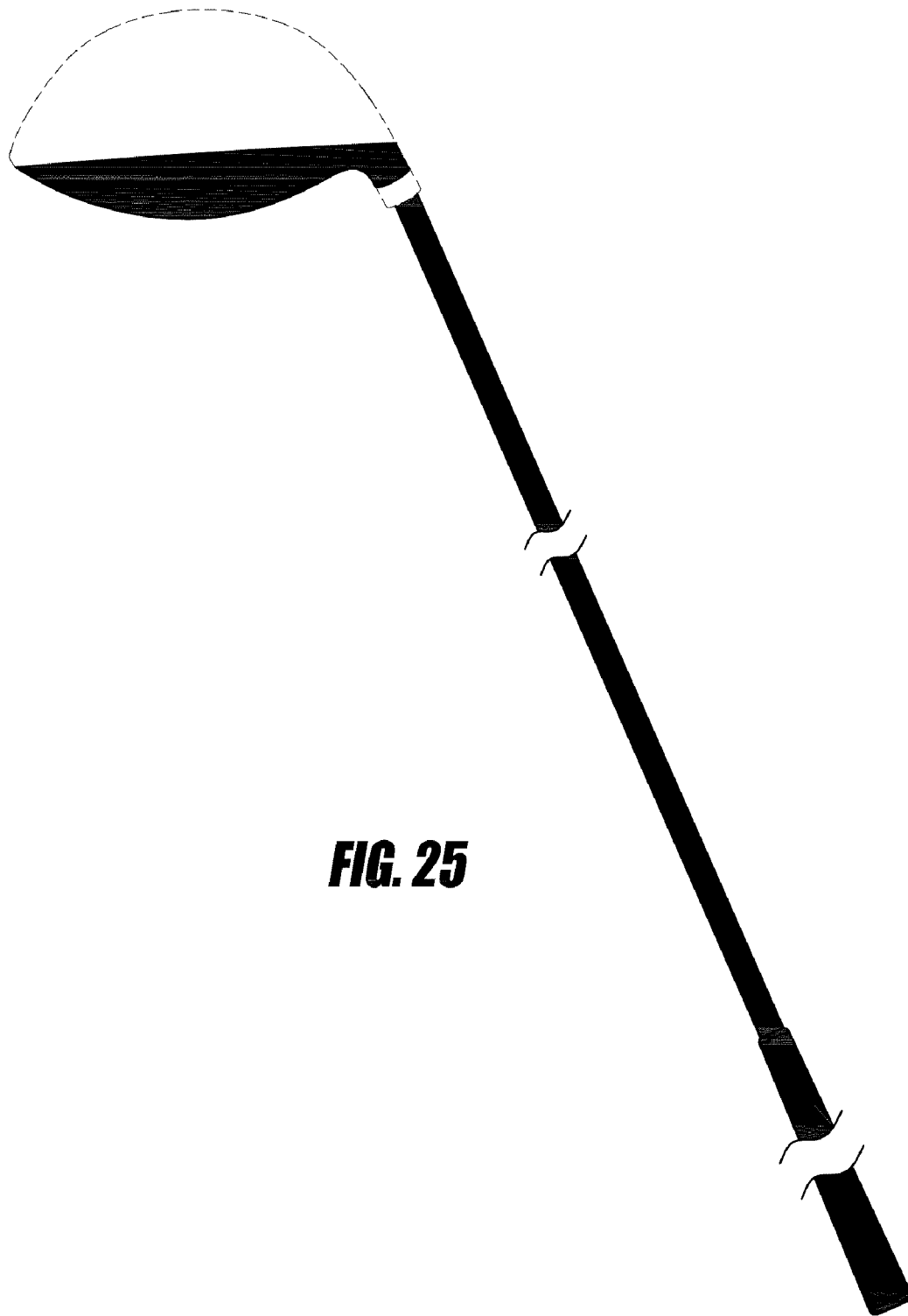


FIG. 25

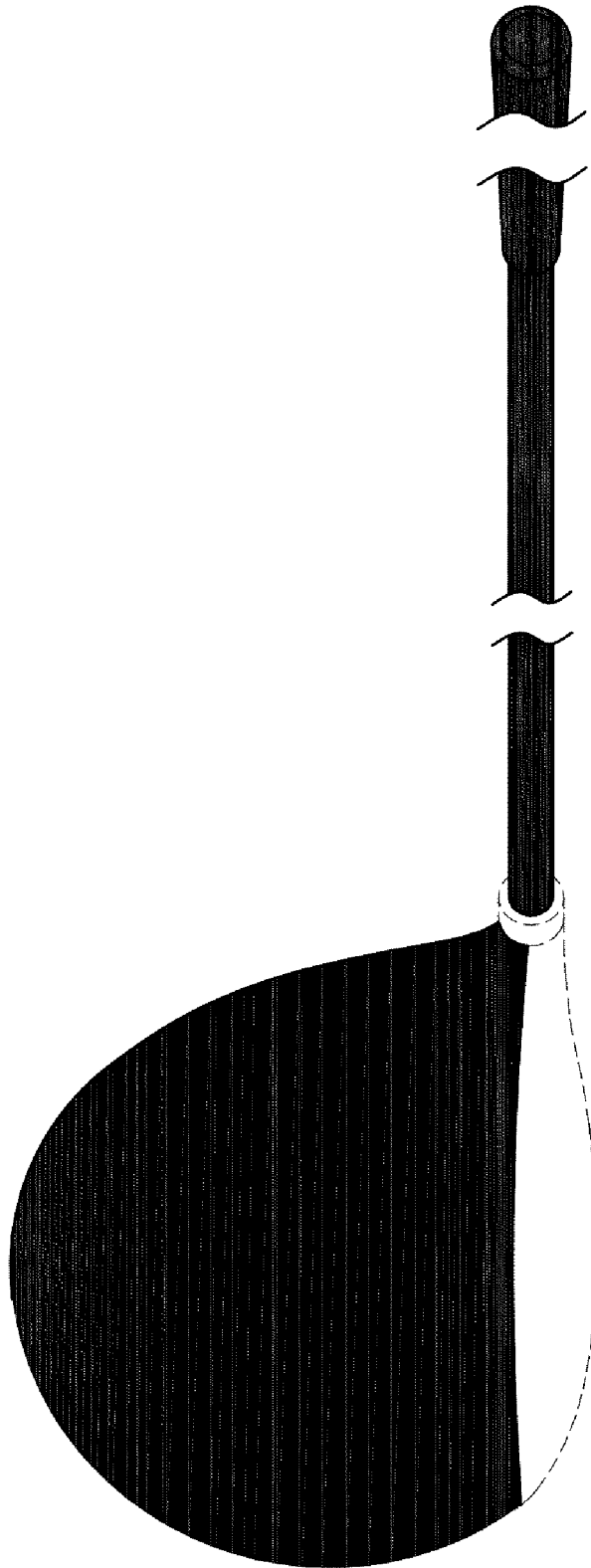


FIG. 26

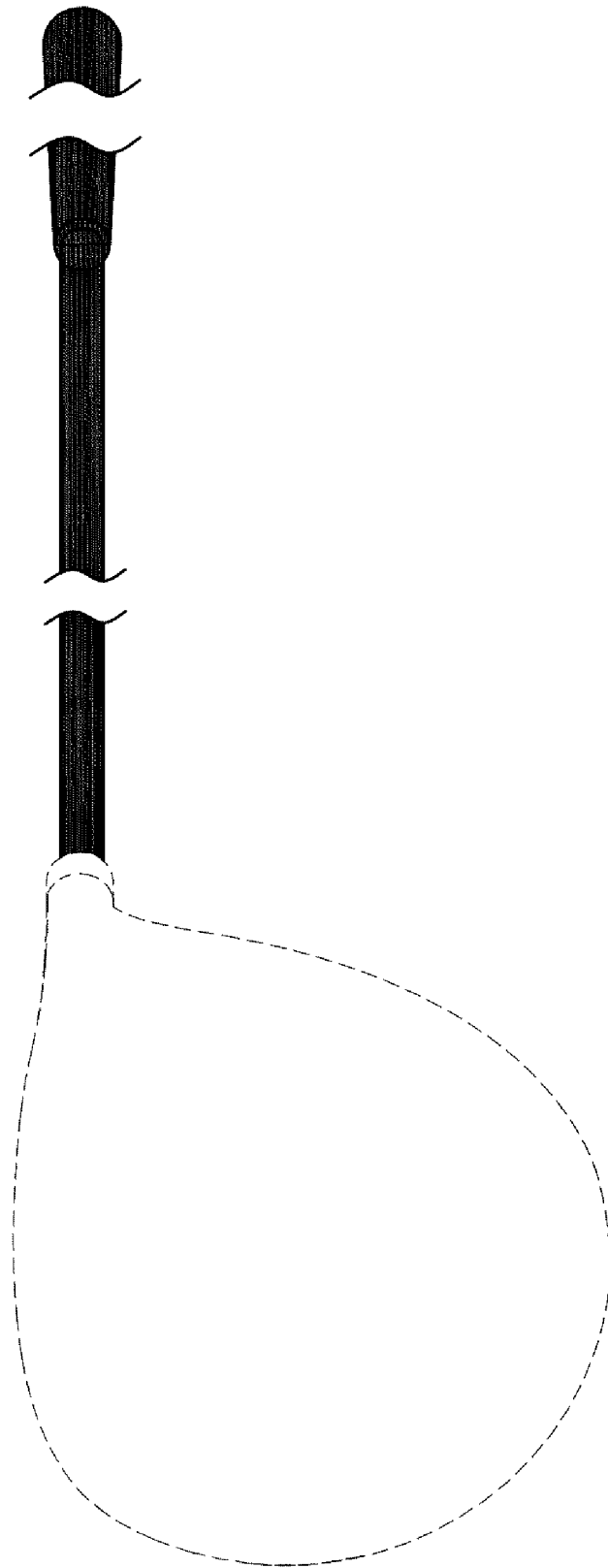


FIG. 27

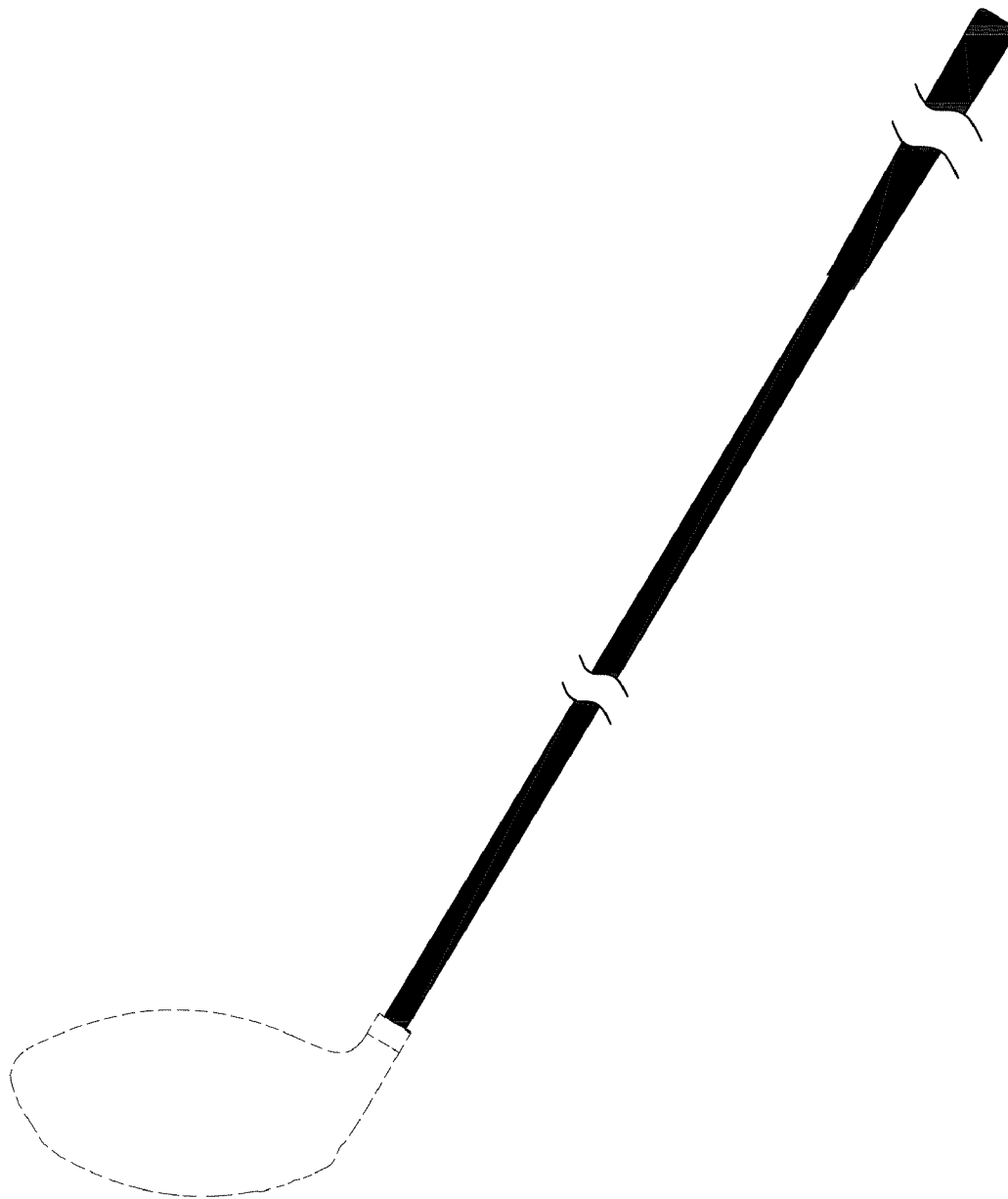


FIG. 28

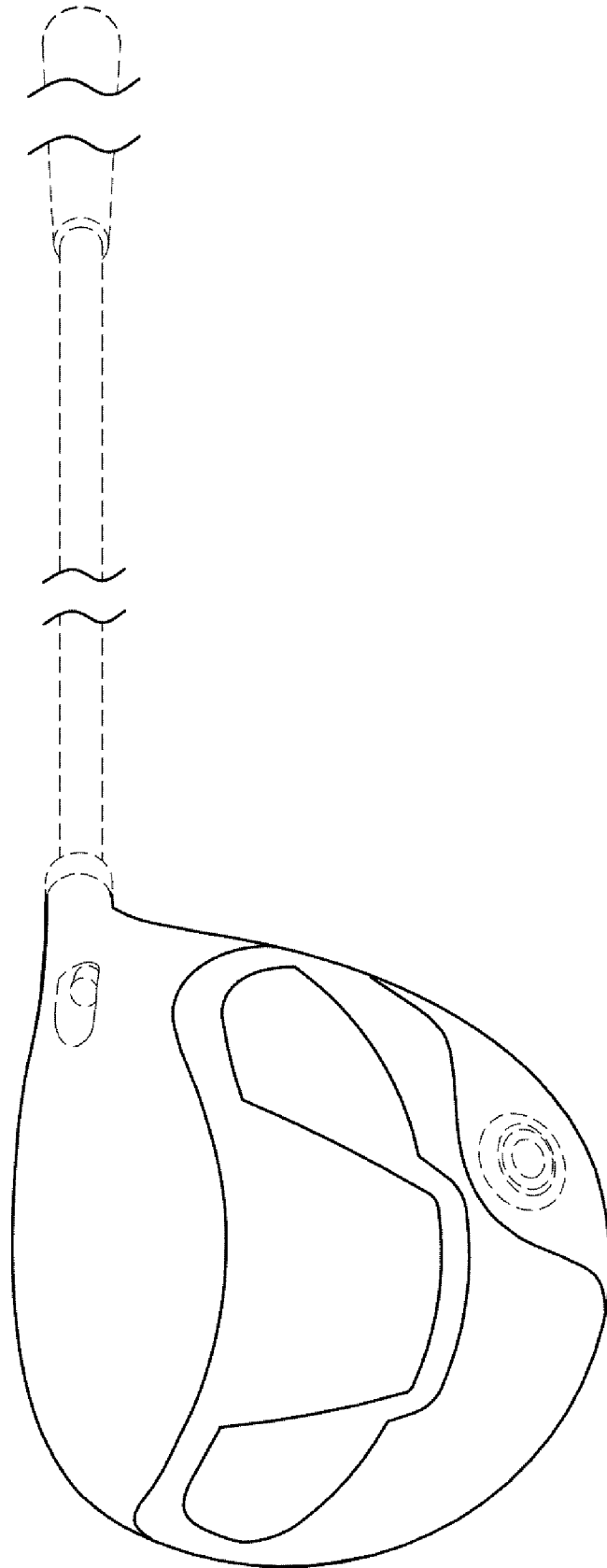


FIG. 29