



US007914393B2

(12) **United States Patent**
Hirsch et al.

(10) **Patent No.:** **US 7,914,393 B2**
(45) **Date of Patent:** **Mar. 29, 2011**

(54) **GOLF CLUB HEAD WITH SOUND TUNING**

(75) Inventors: **Robert D Hirsch**, Bonsall, CA (US);
Joshua G. Breier, Vista, CA (US)

(73) Assignee: **Cobra Golf, Inc.**, Carlsbad, CA (US)

(*) Notice: Subject to any disclaimer, the term of this patent is extended or adjusted under 35 U.S.C. 154(b) by 47 days.

(21) Appl. No.: **12/130,266**

(22) Filed: **May 30, 2008**

(65) **Prior Publication Data**

US 2009/0298613 A1 Dec. 3, 2009

(51) **Int. Cl.**
A63B 53/04 (2006.01)

(52) **U.S. Cl.** **473/332; 473/345**

(58) **Field of Classification Search** **473/324-350**
See application file for complete search history.

(56) **References Cited**

U.S. PATENT DOCUMENTS

3,847,399 A	11/1974	Raymont
4,545,580 A	10/1985	Tomita et al.
4,602,787 A	7/1986	Sugioka et al.
4,681,322 A	7/1987	Straza et al.
4,928,965 A	5/1990	Yamaguchi et al.
4,928,972 A	5/1990	Nakanishi et al.
4,930,781 A	6/1990	Allen
5,083,778 A	1/1992	Douglass
5,242,168 A	9/1993	Aizawa
5,288,070 A	2/1994	Chen
5,299,807 A	4/1994	Hutin
5,316,298 A *	5/1994	Hutin et al. 473/332
5,429,365 A	7/1995	McKeighen

5,467,983 A	11/1995	Chen
5,586,947 A	12/1996	Hutin
5,669,827 A	9/1997	Nagamoto
5,718,641 A	2/1998	Lin
5,944,620 A *	8/1999	Elmer 473/345
6,152,833 A	11/2000	Werner et al.
6,299,547 B1	10/2001	Kosmatka
6,319,150 B1	11/2001	Werner et al.
6,368,231 B1	4/2002	Chen
6,443,854 B1	9/2002	Calboreanu
6,524,197 B2	2/2003	Boone
6,699,140 B1	3/2004	Sun
6,776,725 B1	8/2004	Miura et al.
6,852,038 B2	2/2005	Yabu
6,979,270 B1	12/2005	Allen
6,991,560 B2	1/2006	Tseng
7,137,906 B2	11/2006	Tsunoda et al.
7,163,468 B2	1/2007	Gibbs et al.
7,247,103 B2	7/2007	Beach et al.
7,258,624 B2	8/2007	Kobayashi
7,264,558 B2	9/2007	Kubica et al.
7,273,420 B2	9/2007	Wright
7,297,072 B2	11/2007	Meyer et al.

(Continued)

FOREIGN PATENT DOCUMENTS

JP 2007-267777 10/2007

(Continued)

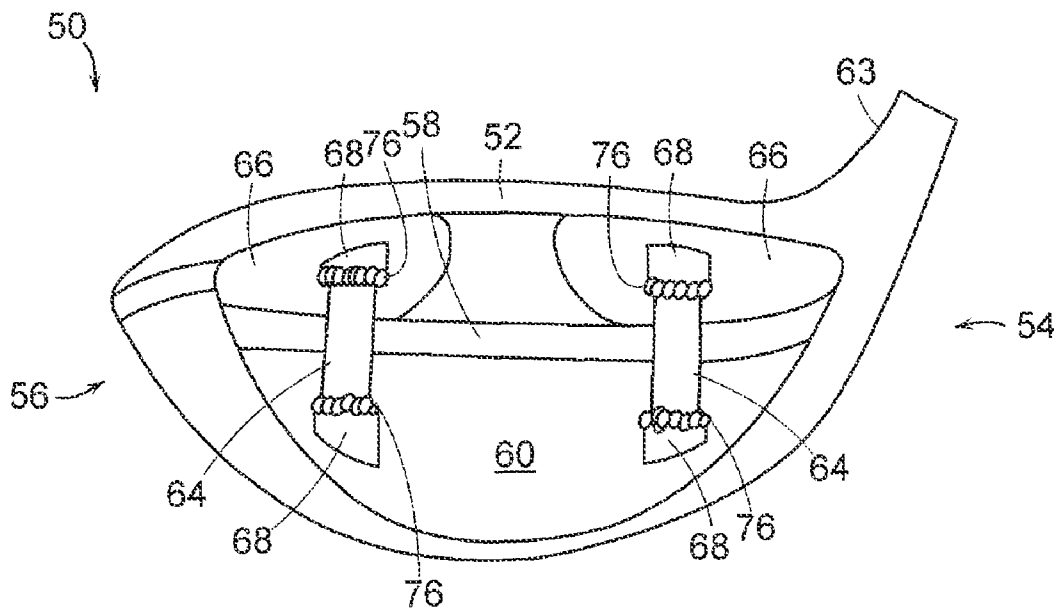
Primary Examiner — Alvin A Hunter

(74) *Attorney, Agent, or Firm* — Knobbe, Martens, Olson & Bear LLP

(57) **ABSTRACT**

A golf club head with sound tuning. The golf club head includes a hollow body that defines an interior cavity and at least one tuning member extends across the interior cavity. The tuning member dimensions, stiffness and dampening characteristics are selected to alter the vibration behavior of the golf club head.

12 Claims, 10 Drawing Sheets



US 7,914,393 B2

Page 2

U.S. PATENT DOCUMENTS

7,309,296 B2 12/2007 Souza et al.
7,367,898 B2 5/2008 Hawkins et al.
7,445,563 B1 11/2008 Werner
7,445,564 B2* 11/2008 Kusumoto 473/346
2002/0037776 A1 3/2002 Krumme et al.
2004/0176181 A1 9/2004 Meyer et al.
2005/0020378 A1 1/2005 Krumme et al.
2005/0221913 A1* 10/2005 Kusumoto 473/345

2006/0068932 A1 3/2006 Rice et al.
2006/0079349 A1* 4/2006 Rae et al. 473/345
2008/0076595 A1 3/2008 Lai et al.
2009/0088267 A1 4/2009 Shimazaki et al.
2010/0151964 A1 6/2010 Soracco

FOREIGN PATENT DOCUMENTS

WO WO 9920358 A1 * 4/1999

* cited by examiner

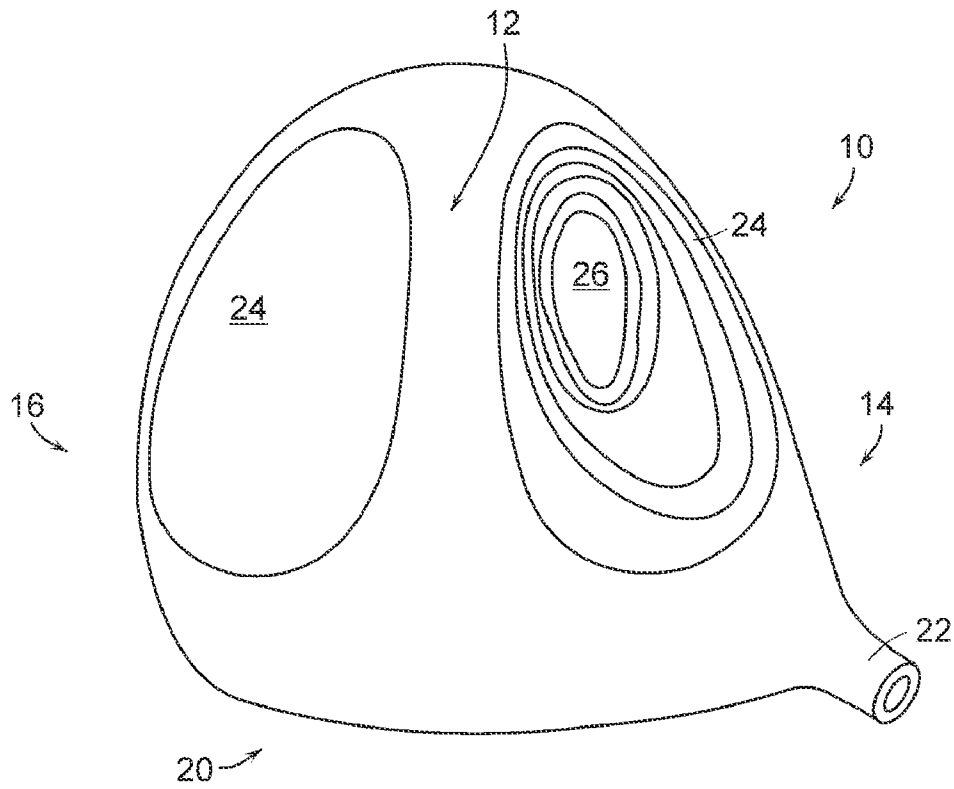


FIG. 1

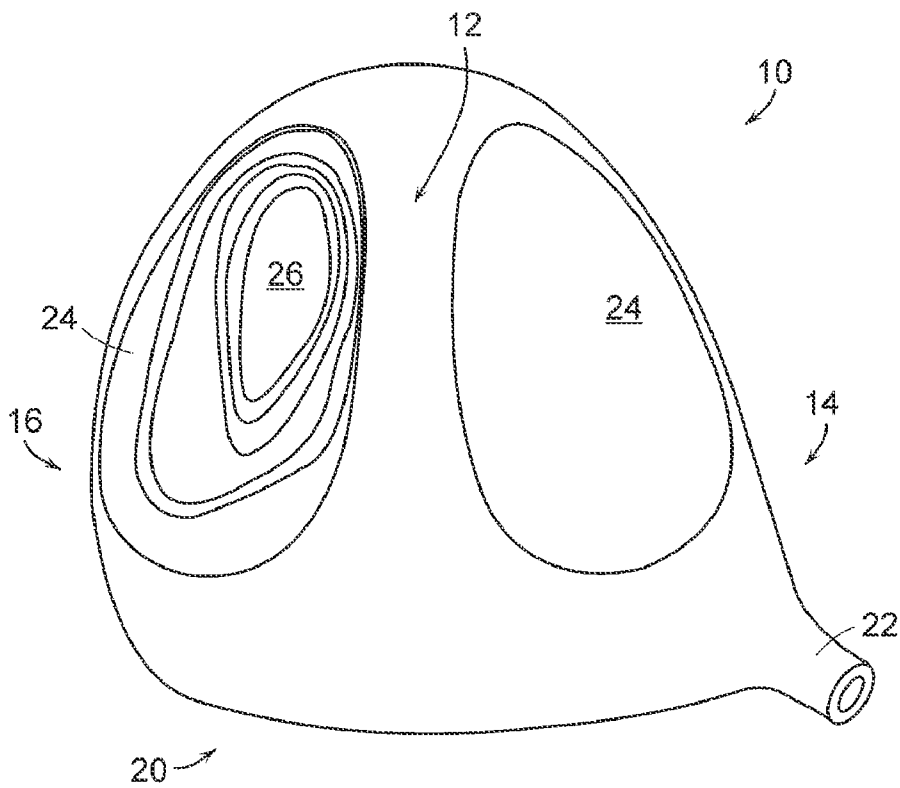


FIG. 2

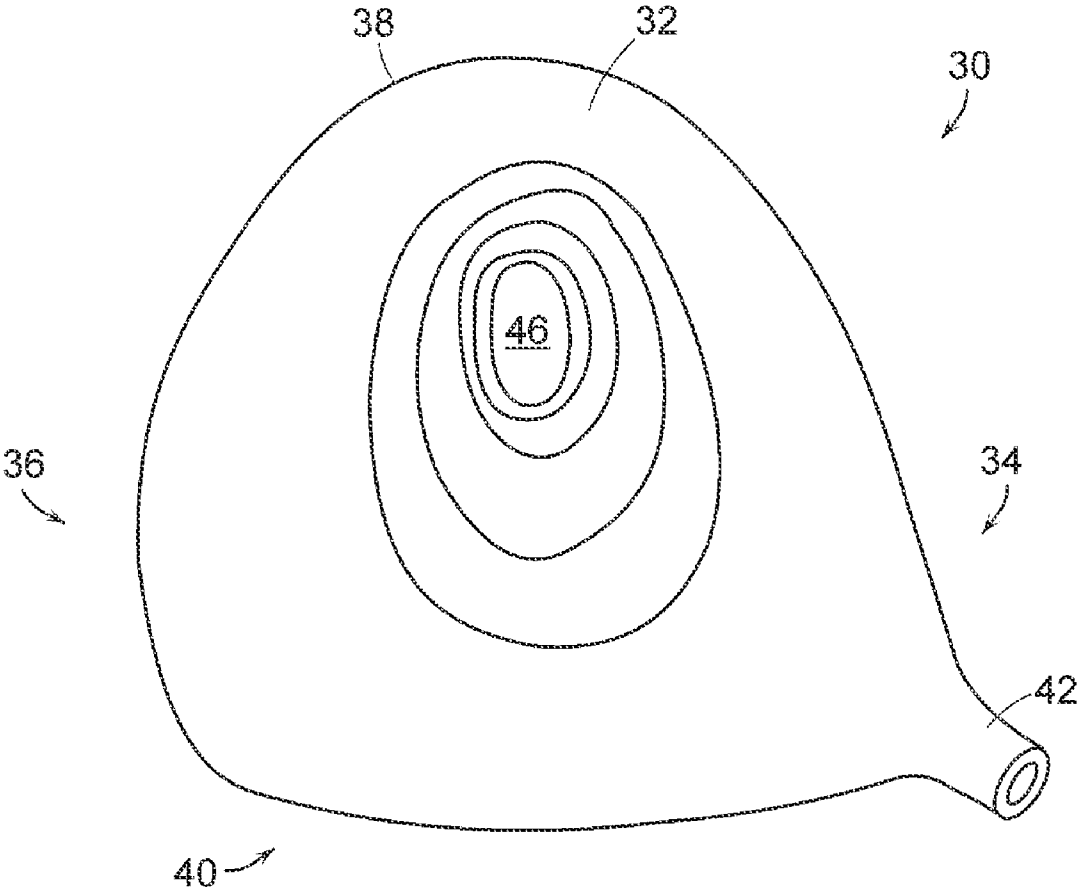


FIG. 3

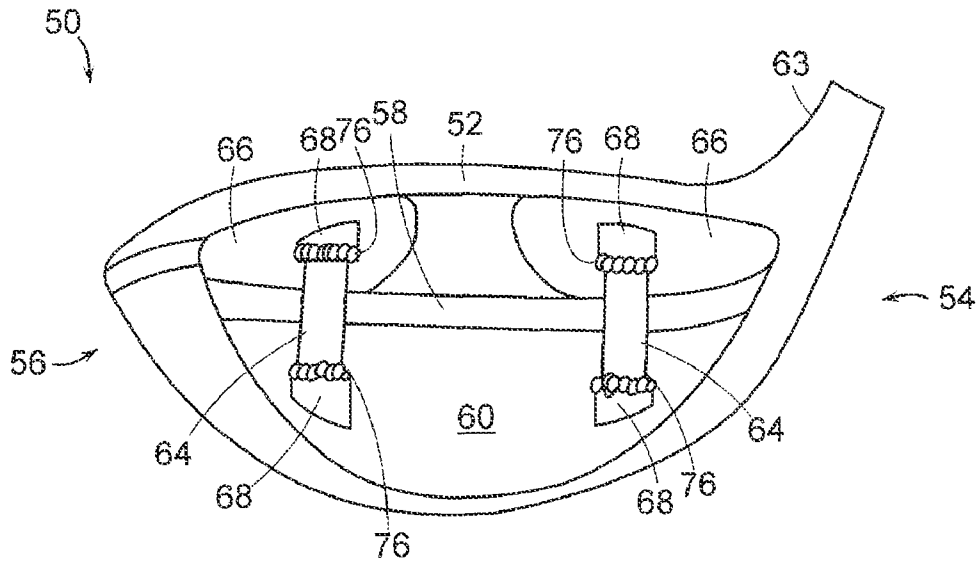


FIG. 4

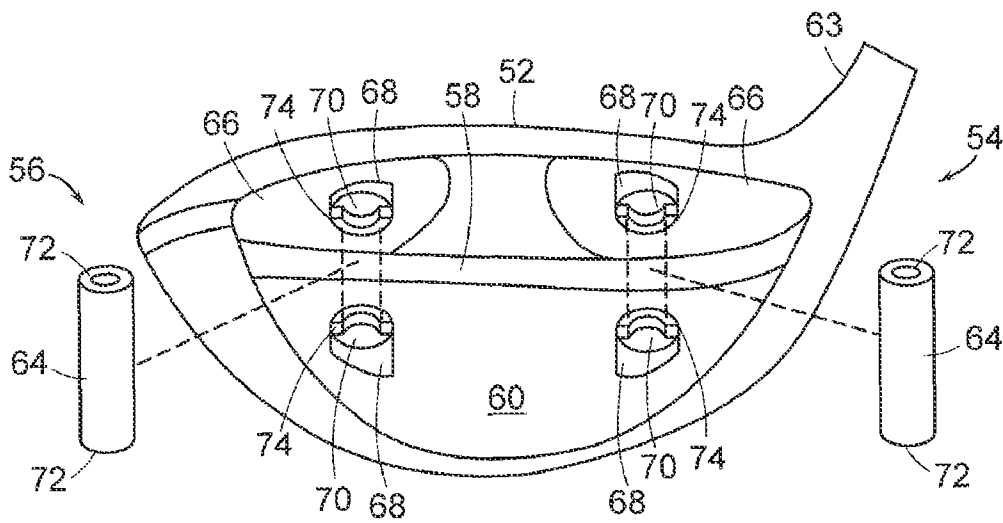


FIG. 5

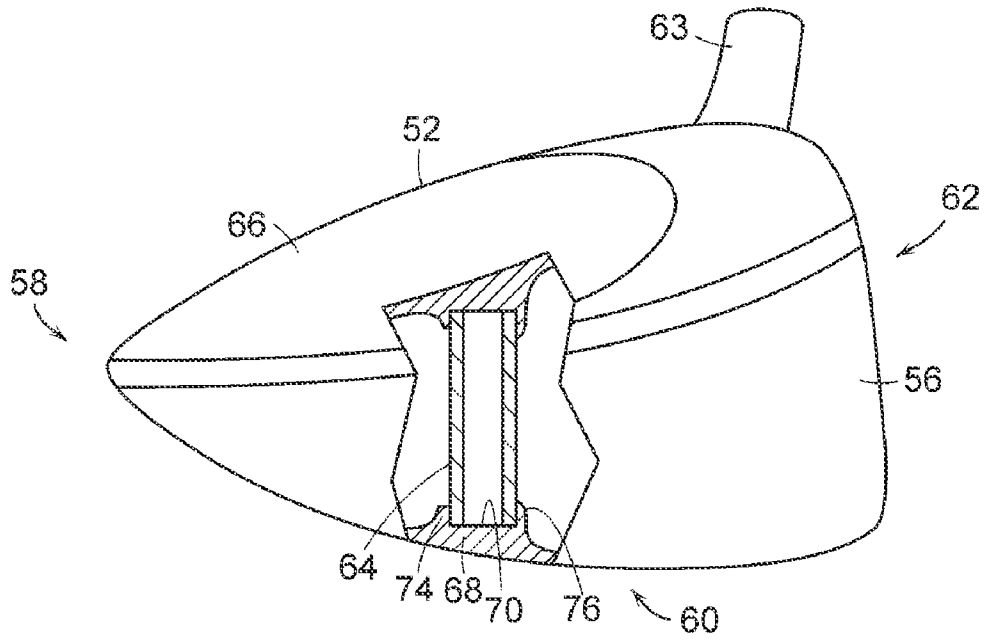


FIG. 6

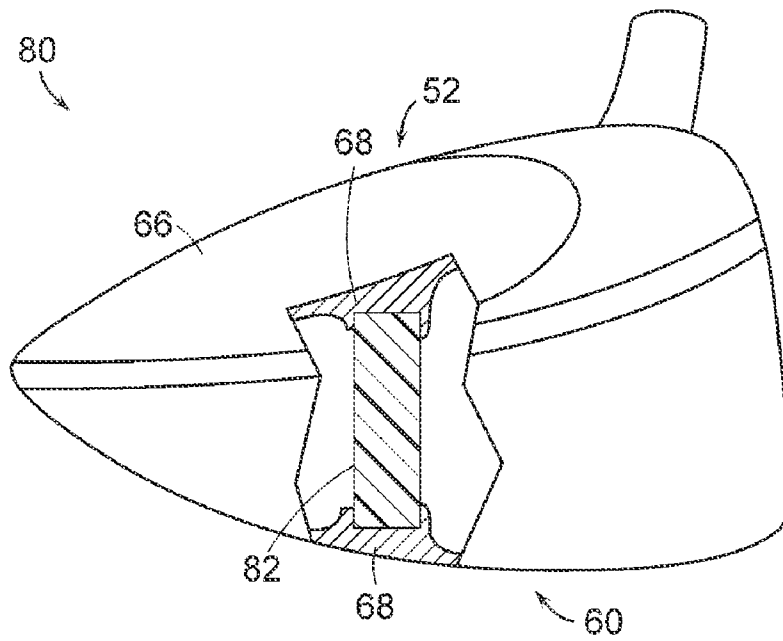


FIG. 7

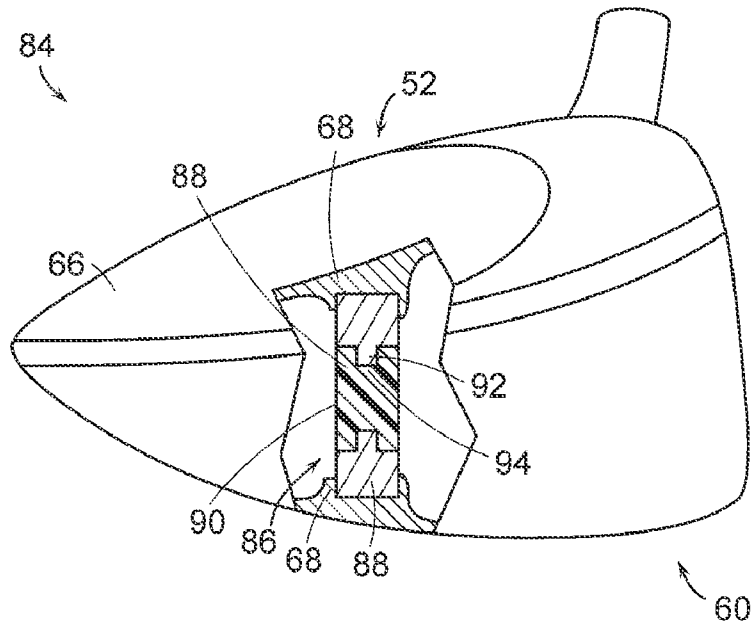


FIG. 8

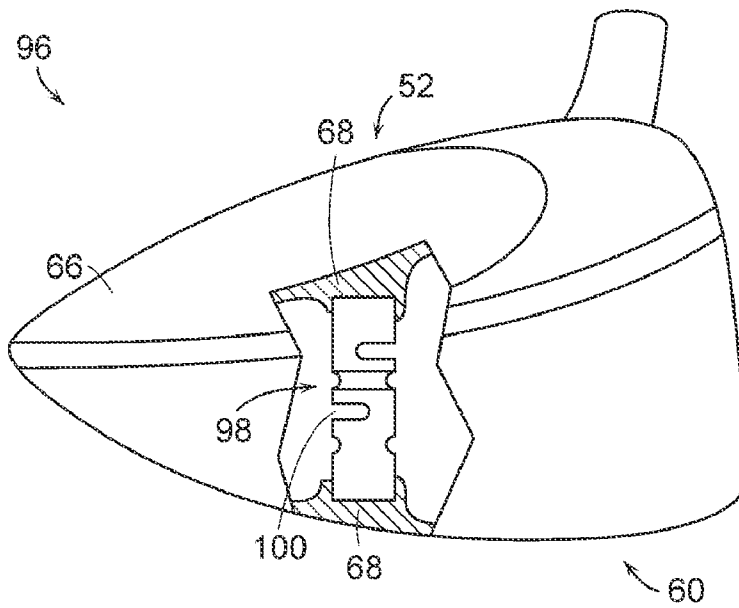


FIG. 9

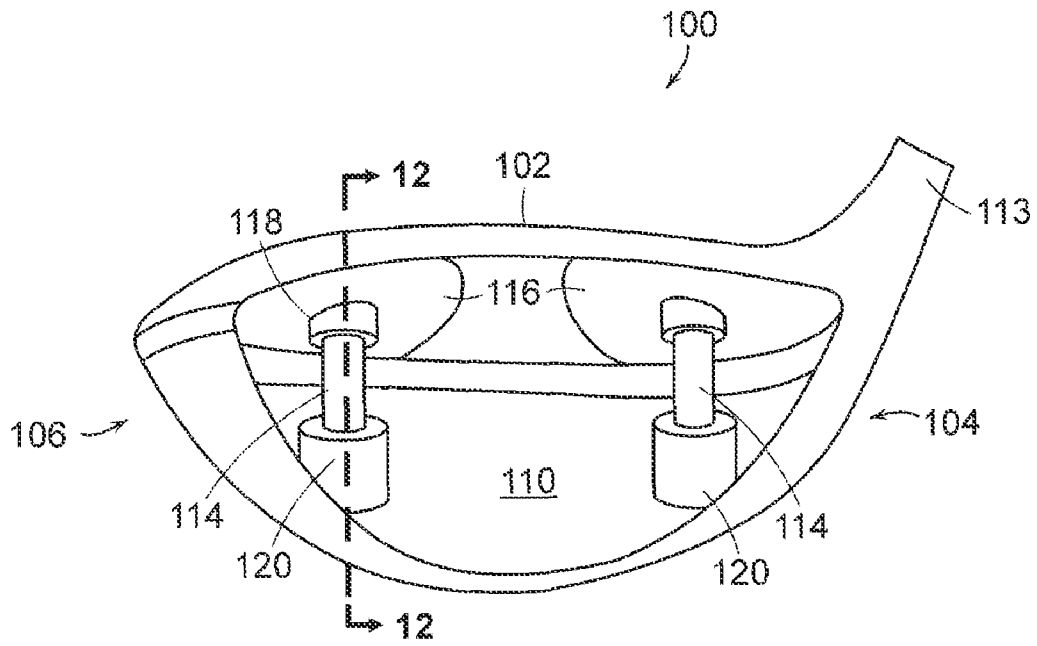


FIG. 10

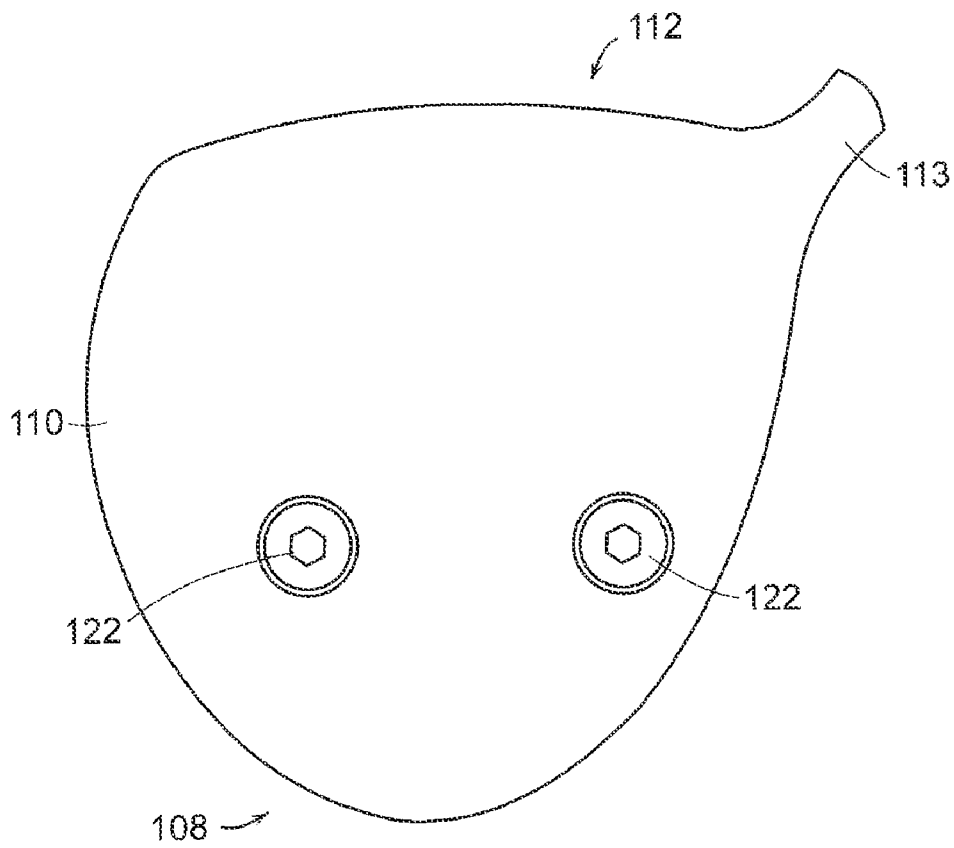


FIG. 11

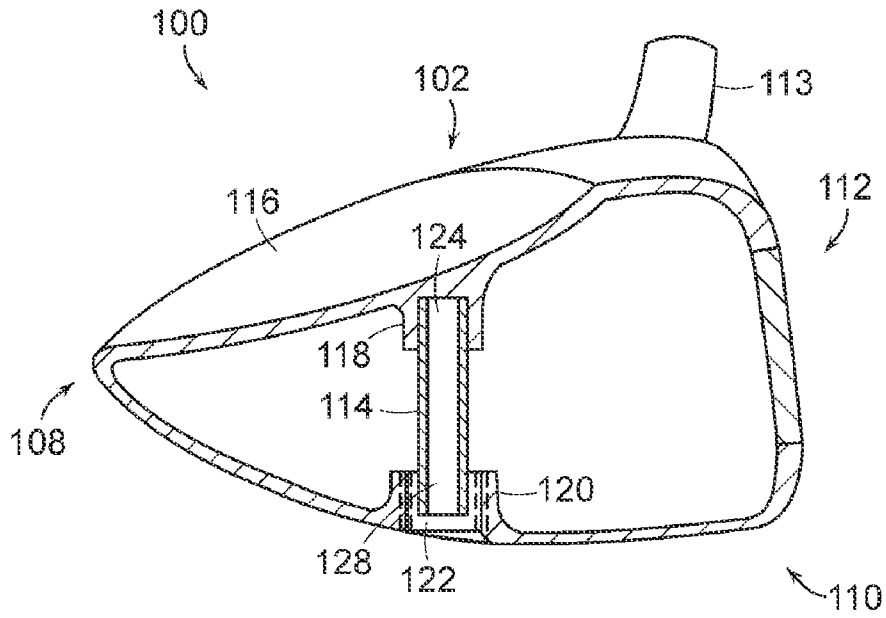


FIG. 12

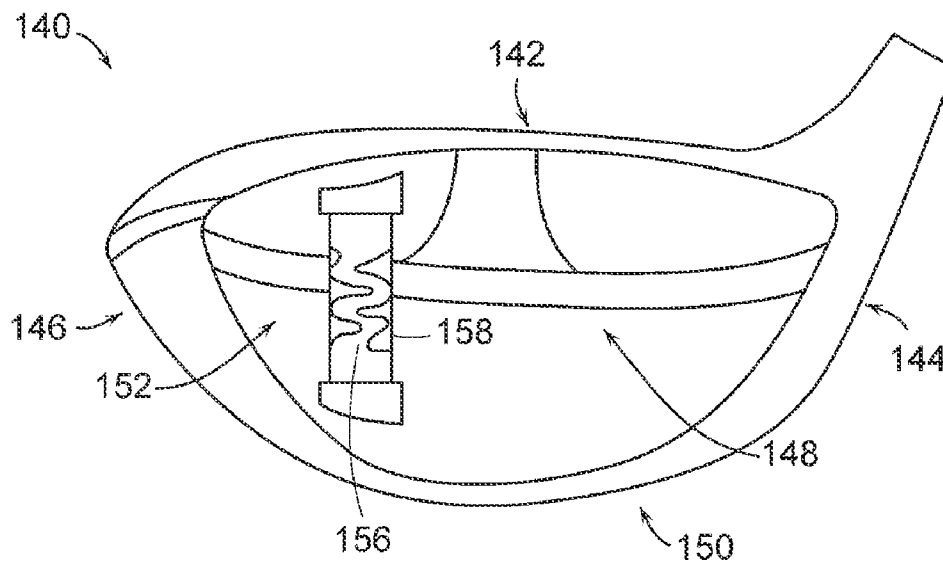


FIG. 13

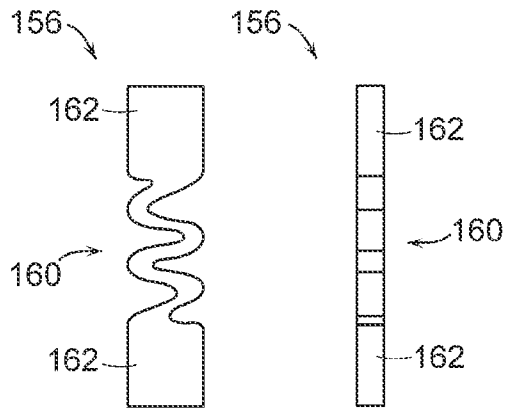


FIG. 14 FIG. 15

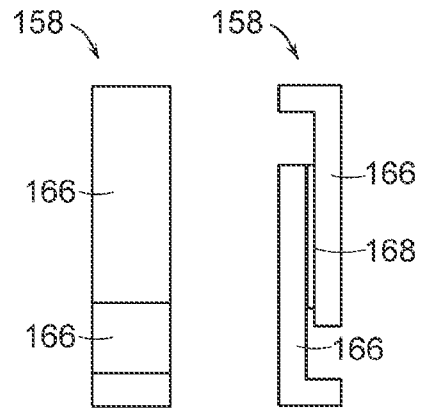


FIG. 16 FIG. 17

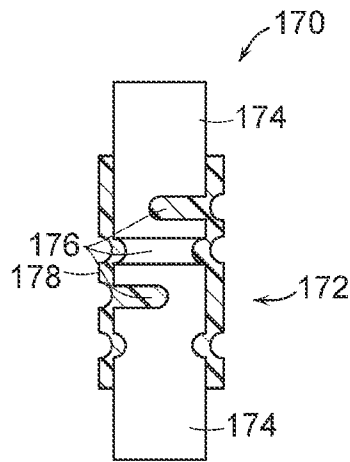


FIG. 18

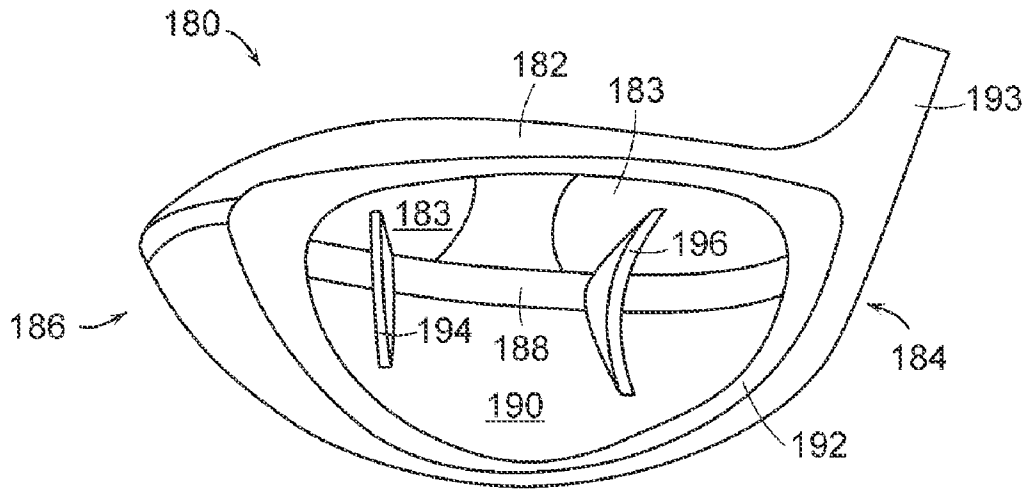


FIG. 19

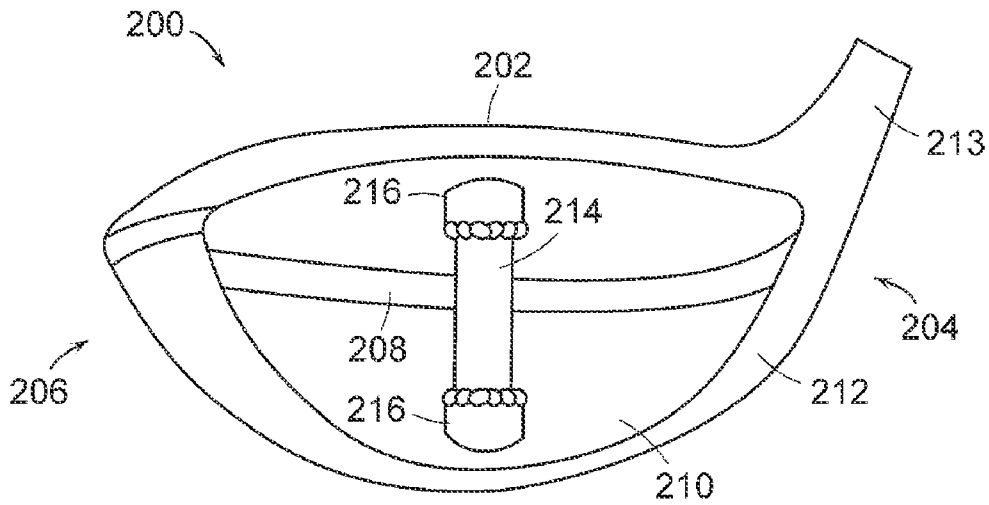


FIG. 20

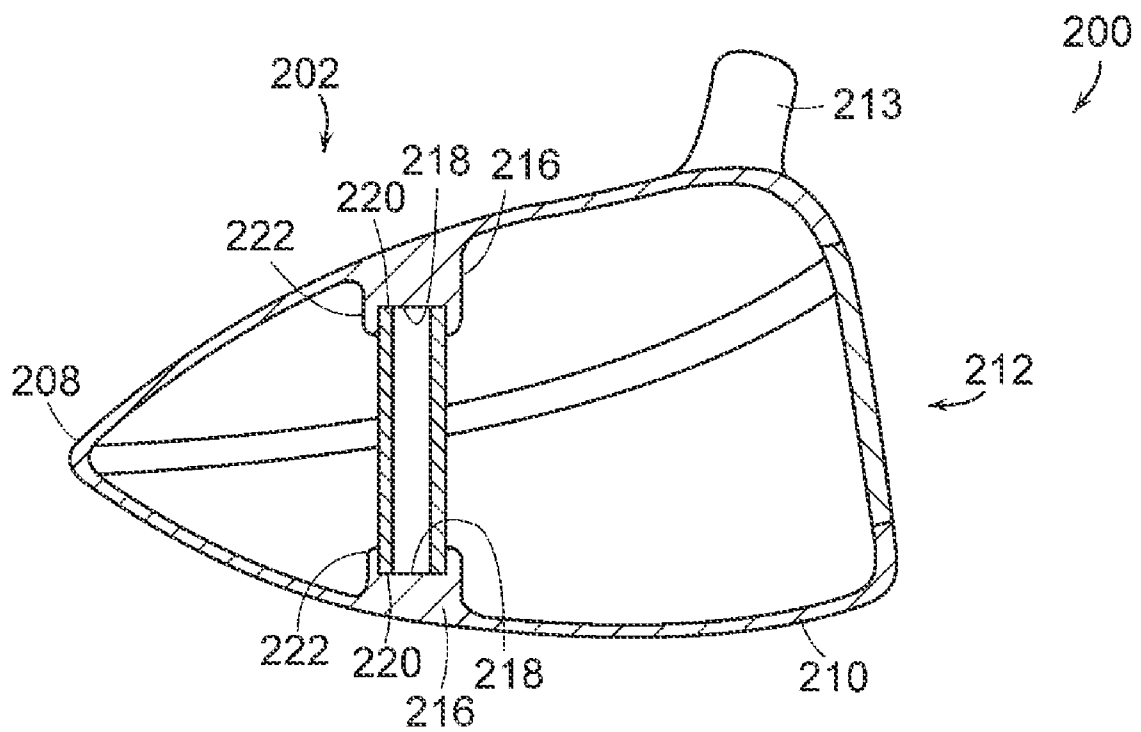


FIG. 21

GOLF CLUB HEAD WITH SOUND TUNING

FIELD OF THE INVENTION

This invention generally relates to golf club heads, and more specifically to hollow golf club heads including sound tuning features.

BACKGROUND OF THE INVENTION

As the size of hollow golf club heads has increased, weight distribution has become a major design consideration. In particular, in the quest to design in discretionary mass, it has become desirable to decrease the wall thicknesses of the portions that do not contribute directly to improved mass properties. Because of the thin wall and the large volumes of the golf club head, large portions of the heads act as membranes and vibrate relative to each other. In some instances, the vibration takes place at a relatively low frequency that results in unappealing sound during impact between the golf club head and a golf ball.

Sound tuning features have been incorporated into hollow bodied golf clubs. One example is described in U.S. Pat. No. 6,852,038 to Yabu for a Golf Club Head and Method of Making the Same. In that example, a hollow body golf club head includes rib-like walls that form the inner surface of the sole and crown. The sound emitted into the hollow cavity due to contact with a golf ball is directed rearward and parted laterally by the ribs. Sound bars are included in some embodiments that are located a small distance behind the club face and extends between the crown and sole. The sound bars are included to further part the sound vibrations.

Another example is described in U.S. Pat. No. 5,718,641 to Lin for a Golf Club Head that Makes a Sound when Striking the Ball. In that example, the golf club head includes a sound plate that is suspended in the hollow body of the club head that makes a sound and echoes the sound during impact between the club head and a golf ball. One edge of the sound plate is fixed to a wall of the hollow club head and the remaining edges are unattached so that the sound plate is able to vibrate relative to the remainder of the club head.

Others have added features to golf club heads to improve rigidity of the club head by reducing relative vibration between opposing walls to reduce the energy that is wasted in deforming the club head and to redirect that energy into the golf ball. For example, U.S. Pat. No. 6,524,197 to Boone for a Golf Club Head Having a Device for Resisting Expansion Between Opposing Walls During Ball Impact describes a feature designed for that purpose. The golf club head includes a tensioning device that extends between the crown and the sole. In particular, the tensioning device includes an elongate cylindrical member that extends through apertures in each of the crown and sole and enlarged ends that are unable to pass through the apertures. One of the enlarged heads is threaded so that a threaded end member may be used to tension the elongate cylindrical member thereby placing the hollow body in compression and increasing the rigidity of the hollow body.

It is desirable to provide a golf club that has sound tuning features for altering the sound produced by the golf club head during ball impact.

SUMMARY OF THE INVENTION

The invention is directed to a golf club head with sound tuning so that the vibration characteristics of the golf club head may be altered to produce a desired sound. Several embodiments of the present invention are described below.

In an embodiment, a golf club head includes a body and a tuning member. The body includes a crown portion and a sole portion and defines an interior cavity. The tuning member extends across the interior cavity and includes a first end that is attached to the crown portion at a first attachment location and a second end that is attached to the sole portion at a second attachment location. The body includes a first distance between the first attachment location and the second attachment location when the body is in a free state, and the tuning member has a length that is greater than the first distance when the tuning member is in a free state.

In another embodiment, a golf club head includes a body and a curved tuning member. The body includes a crown portion, a sole portion, a toe portion extending between the crown portion and the sole portion and a heel portion extending between the crown portion and the sole portion and defines an interior cavity. The curved tuning member extends across the interior cavity and a first end of the tuning member is attached to the crown portion at a first attachment location and a second end of the tuning member is attached to the sole portion at a second attachment location. The tuning member is oriented so that it is curved away from the nearest of the toe portion and the heel portion.

In a further embodiment, a golf club head includes a body, a cover and a tuning member. The body includes a crown portion and a sole portion and defines an interior cavity. An aperture extends through the sole portion. The cover is removably coupled to the sole portion in the aperture. The tuning member extends across the interior cavity and a first end of the tuning member is attached to the crown portion at a first attachment location and a second end of the tuning member is attached to the cover.

BRIEF DESCRIPTION OF THE DRAWINGS

In the accompanying drawings, which form a part of the specification and are to be read in conjunction therewith and in which like reference numerals are used to indicate like parts in the various views:

FIG. 1 is a top view of a conventional golf club head schematically illustrating the displacement of an exemplary first vibration mode;

FIG. 2 is a top view of the golf club head of FIG. 1 schematically illustrating the displacement of an exemplary second vibration mode;

FIG. 3 is a top view of another conventional golf club head schematically illustrating the displacement of an exemplary first vibration mode;

FIG. 4 is a front view of an embodiment of a golf club head in accordance with the present invention;

FIG. 5 is a partially exploded view of the golf club head of FIG. 4;

FIG. 6 is a partial cross-sectional view of the golf club head of FIG. 4;

FIG. 7 is a partial cross-sectional view of another embodiment of the golf club head in accordance with the present invention;

FIG. 8 is a partial cross-sectional view of another embodiment of the golf club head in accordance with the present invention;

FIG. 9 is a partial cross-sectional view of another embodiment of the golf club head in accordance with the present invention;

FIG. 10 is a front view of another embodiment of a golf club head in accordance with the present invention;

FIG. 11 is a bottom view of the golf club head of FIG. 10;

FIG. 12 is a cross-sectional view of the golf club head of FIG. 10, taken along line 12-12;

FIG. 13 is a front view of another embodiment of a golf club head in accordance with the present invention;

FIG. 14 is a side view of a spring element that may be included in a golf club head in accordance with the present invention;

FIG. 15 is another side view of the spring element of FIG. 14;

FIG. 16 is a side view of a dampening element that may be included in a golf club head in accordance with the present invention;

FIG. 17 is another side view of the dampening element of FIG. 16;

FIG. 18 is a partial cross-sectional view of an embodiment of a tuning member that may be included in a golf club head in accordance with the present invention;

FIG. 19 is a front view of another embodiment of a golf club head in accordance with the present invention;

FIG. 20 is a front view of another embodiment of a golf club head in accordance with the present invention; and

FIG. 21 is a cross-sectional view of the golf club head of FIG. 20.

DETAILED DESCRIPTION OF THE PREFERRED EMBODIMENTS

The present invention is directed to a golf club head including sound tuning features. The sound tuning features are included to tailor the sound produced by the golf club head to any desired frequency, amplitude and/or duration. Several embodiments of the present invention are described below.

Every golf club produces a distinct sound and feel when it is used to strike a golf ball. The sound and feel are produced by the vibration behavior of the golf club head which is a result of the design of the golf club head. Golf club head designs are analyzed and samples are tested to characterize the vibration characteristics of a particular design in an attempt to determine whether the sound and feel produced by the golf club head will be acceptable to the average golfer. In particular, the frequency values and displacement mode shapes are determined for the club head. It is generally understood that the lower frequency modes have a tendency to detrimentally affect the sound and feel of a particular golf club head.

Referring to FIGS. 1 and 2, the first two vibration mode shapes of a first exemplary hollow golf club head 10 are shown. Golf club head 10 generally includes a crown portion 12, a heel portion 14, a toe portion 16, a rear portion 18, a front portion 20, a hosel 22 and a sole portion (not shown) that combine to form a generally hollow body having an interior cavity. Front portion 20 includes a striking face for impacting a golf ball. Crown portion 12 extends rearward from front portion 20 and forms a top surface of club head 10. Heel portion 14 and toe portion 16 form sidewalls of club head 10 and extend generally downward from the edges of crown portion 12 and rearward from side edges of front portion 20. Rear portion 18 extends between heel portion 14 and toe portion 16 to complete the side wall of club head 10. The sole portion extends between the lower edges of front portion 20, heel portion 14, toe portion 16 and rear portion 18 and generally forms the bottom surface of club head 10.

Crown portion 20 of golf club head 10 includes a pair of concave dimples 24 that are spaced from each other in a heel-to-toe direction. In a first vibration mode, i.e., the vibration mode having the lowest frequency value, a location of maximum displacement 26, or "hot spot", is located at dimple

24 that is closest to heel portion 14, as shown in FIG. 1. In a second vibration mode, i.e., the vibration mode having the second lowest frequency value, the location of maximum displacement 26 is located on dimple 24 that is closest to toe portion 16.

Referring to FIG. 3, the first vibration mode shape of a second exemplary hollow club head 30 is shown. Similar to the previously described golf club head, the second exemplary hollow golf club head 30 includes a crown portion 32, a heel portion 34, a toe portion 36, a rear portion 38, a front portion 40 and a hosel 42. Crown portion 32 of golf club head 30 is a continuous convex surface that includes no dimples. The first vibration mode of golf club head 30 provides a location of maximum displacement 46, or hot spot, that is located generally centrally on crown portion 32.

In each of the illustrated embodiments, the lowest frequency modes involve vibration of at least portions of the crown. The exemplary clubs may also exhibit vibration modes wherein at least a portion of the sole vibrates. However, at least in the exemplary golf club heads, the lowest frequency modes either do not include simultaneous vibration of the sole or the sole vibration is out of phase with that of the crown or has a lower displacement amplitude. It should be appreciated that in some golf club heads the lowest frequency mode may include a location of maximum displacement that is located on the sole of the club head and the present invention applies equally to those golf club heads.

Referring to FIGS. 4-6, an embodiment of a golf club head in accordance with the present invention, golf club head 50, will be described. Golf club head 50 generally includes a crown portion 52, a heel portion 54, a toe portion 56, a rear portion 58, a sole portion 60, a front portion 62, a hosel 63 and a pair of tuning members 64.

Crown portion 52 and sole portion 60 form the upper and lower surfaces, respectively, of golf club head 50. Additionally, crown portion 52 and sole portion 60 generally provide the majority of the surface area of club head 50. In order to maintain the large volume of modern golf club heads while providing the maximum discretionary mass, crown portion 52 and sole portion 60 tend to have relatively thin walls, which results in the those portions often acting as a vibrating membrane during and after impact with a golf ball.

Crown portion 52 and sole portion 60 are spaced from each other by heel portion 54, toe portion 56, rear portion 58 and front portion 62 so that the combined portions define a hollow interior cavity. In the present embodiment, tuning members 64 are tubular components that extend across the hollow interior cavity and each tuning member includes a first end attached to the crown at a first attachment location and a second end attached to the sole at a second attachment location. A pair of tuning members 64 is provided to alter the first two vibration modes of golf club head 50 which exhibit locations of maximum displacement in each of dimples 66 so the attachment locations on the crown are disposed adjacent the locations of maximum displacement.

Bosses 68 are included on crown portion 52 and sole portion 60 at the respective attachment locations and provide attachment features for coupling tuning members 64 to crown portion 52 and sole portion 60. Bosses 68 are raised portions that extend inward from the inner surfaces of each of crown portion 52 and sole portion 60. Each boss 68 includes a mating surface 70 that is configured to abut an end surface 72 of tuning member 64. Mating surface 70 is contoured to match the contour of end surface 72 of tuning member 64. For example, mating surface 70 may be planar so that it abuts a planar end surface 72 of tuning member 64, as shown, or the

5

mating surface may be curved or angular to abut a curved or angular end surface of the tuning member.

Additionally, each boss **68** includes a locating member **74** that aligns the end of tuning member **64** on boss **68** so that tuning member **64** is properly located for attachment. In the present embodiment, locating member **74** is an arcuate wall that extends from mating surface **70** toward the center of the hollow interior cavity. The curvature of locating member **74** is selected so that it abuts a portion of the outer surface of tuning member **64**. Locating member **74** is utilized during the attachment of tuning members **64** so that tuning members **64** remain properly located during the attachment process. The attachment process may include welding, brazing, bonding and/or applying fasteners. In the present embodiment, tuning members **64** are attached to bosses **68** by attachments **76**.

Bosses **68** may be integrated into golf club head **50** using any process. Preferably, bosses **68** are cast integral with crown portion **52** and sole portion **60** and constructed with the same material as crown portion **52** and sole portion **60**. For example, crown portion **52**, sole portion **60** and bosses **68** are preferably cast from titanium or a titanium alloy, however, they may be formed from any metallic material or combinations of metallic and non-metallic materials. Alternatively, the crown portion, the sole portion and/or the bosses may be constructed as separate components using various methods and coupled together. For example, the parts may be constructed by casting, stamping and/or forging and subsequently coupled by any attachment method such as, for example, welding and/or adhesive bonding.

The stiffness and damping characteristics of the tuning members are selected so that the vibration modes are altered to improve the sound of the golf club head at impact. Tuning members **64** may be constructed from any material and may have any cross-sectional shape. For example, in the present embodiment, tuning members **64** are tubular, but it should be appreciated that the tuning members may be solid. Additionally, the tuning members may be constructed from metallic materials, such as titanium, aluminum and/or steel, or non-metallic materials, such as carbon fiber and/or polymer. Additionally, the tuning members may have composite structures.

The tuning members are also sized to provide desired vibration behavior. Preferably, tuning members **64** are sized so that they are placed in compression between mating surfaces **70** of bosses **68**. For example, tuning members **64** may be constructed having a length in a free state that is greater than the distance between mating surfaces **70** of bosses **68**, which serve as attachment locations of the tuning members **64**, when the golf club head is in a free state. The free state for the tuning members and the golf club head corresponds to the state when no external forces are applied to the respective component.

Referring to FIG. 7, another embodiment of a golf club head in accordance with the present invention will be described. Golf club head **80** includes tuning members **82** that extend between crown portion **52** and sole portion **60**. The components that are substantially identical to those previously described are denoted by identical reference numbers and will not be described in further detail. Golf club head **80** includes bosses **68** located on crown portion **52** and sole portion **60** that are configured to receive tuning members **82**. Tuning members **82** are cylindrical rods that extend between bosses **68**. In the present embodiment, tuning members **82** are constructed of a polymer material that is bonded in golf club head **80** between bosses **68**.

In another embodiment, shown in FIG. 8, golf club head **84** includes composite tuning members **86**. Tuning members **86** extend between crown portion **52** and sole portion **60**. Tuning

6

members **86** include a three piece composite construction that includes spacer **90** interposed between caps **88**. In the present embodiment, caps **88** are constructed from metallic material and spacer **90** is constructed from a non-metallic material that is bonded to caps **88**. Tuning members **86** are inserted between bosses **68** and caps **88** are attached to bosses. Because caps **88** are constructed of metallic material, tuning members **86** may be attached to metallic bosses **68** by welding or brazing. Caps **88** and spacer **90** may also include complementary coupling features. For example, caps **88** may include posts **92** that are received in bores **94** included in spacer **90**. It should be appreciated that spacer **90** may be constructed from a material having dampening properties, such as a viscoelastic polymer, if desired.

The tuning member may also include stiffness altering features. Referring to FIG. 9, golf club head **96** includes tuning members **98** that extend between crown portion **52** and sole portion **60**. Tuning members **98** include a plurality of stiffness altering features in the form of lateral slots **99** that reduce the stiffness of tuning members **98** to a desired stiffness. It should be appreciated that any features that change the stiffness of the tuning member may be included, such as, for example, lateral slots (as shown), bores or notches extending into the tuning member, and/or changes in cross-sectional shape and/or area.

Referring to FIGS. 10-11, another embodiment of a golf club includes removable tuning members. Similar to the previously described embodiments, a crown portion **102** including dimples **116**, a heel portion **104**, a toe portion **106**, a rear portion **108**, a sole portion **110**, a front portion **112** and a hosel **113** combine to form the hollow body of golf club head **100**. Tuning members **114** extend across the interior hollow cavity between crown portion **102** and sole portion **110** and are selected to create desired vibration characteristics of golf club head **100**.

Tuning members **114** extend between mounting features of crown portion **102** and mounting features of sole portion **110**. The mounting features of crown portion **102** include bosses **118** extending inward from an inner surface of crown portion **102**. The mounting features of sole portion **110** include bosses **120** and covers **122**. Covers **122** are configured to be removably coupled to apertures that extend through sole portion **110** and bosses **120**. For example, bosses **120** include a threaded internal surface that engages threaded outer surfaces of covers **122**. Each cover **122** includes a tool engagement feature **132** so that cover may be installed and removed by a user. It should be appreciated that cover **122** may be attached to boss **120** using any permanent, semi-permanent or removable attachment method. For example, cover **122** may be bonded into boss **120**, or cover **122** may be threaded into boss **120** and a thread locking feature or material included. It should be appreciated that tuning members **114** may have any configuration, such as the various embodiments described herein, and a user may select a configuration for each position to tailor the sound to any desired characteristics.

A first end **124** of each tuning member **114** is inserted into a bore **126** included in boss **118**. Cover **122** is then installed in boss **120** so that a second end **128** is inserted into a bore **130** included in cover **122**. When cover **122** is installed in boss **120**, tuning member **114** is held in compression between boss **118** and cover **122**.

In another embodiment, the tuning members include a spring and dampening components. Referring to FIGS. 13-17, an embodiment including separate spring and dampening components will be described. Golf club head **140** includes a crown portion **142** that includes dimples **154**, a heel portion **144**, a toe portion **146**, a rear portion **148**, a sole

portion **150** that combine to form the hollow body of club head **140**. Golf club head **140** also includes a tuning member **152** that extends across the hollow interior of the club head between crown portion **142** and sole portion **150**.

Tuning member **152** is constructed from a spring component **156** and a dampening component **158**. Spring component **156** is generally an elongate plate member that includes a spring portion **160** that is interposed between a pair of mounting portions **162**. Spring portion **160** includes a plurality of stiffness altering features **164** that include a plurality of notches extending laterally through a portion of spring component **156** so that spring portion **160** is generally S-shaped and has a reduced stiffness in comparison to mounting portions **162**.

Dampening component **158** includes a dampening member **168** interposed between a pair of frame members **166**. Frame members **166** are elongate plates that provide mounting surfaces so that dampening member **168** may be mounted to and between frame members **166**. In the present embodiment, dampening member **168** is a viscoelastic polymer.

Referring to FIG. **18**, another embodiment of a tuning member **170** will be described. Tuning member **170** includes a spring member **172** that is interposed between a pair of mounting portions **174**. Spring member **172** includes a plurality of stiffness altering features in the form of lateral slots **176** that reduce the stiffness of tuning member **170** to a desired stiffness. Tuning member **170** also includes a dampening member **178** that encases at least a portion of spring member **172** and extends into lateral slots **176**. Dampening member **178** may be any material having vibration dampening characteristics such as a viscoelastic polymer.

Another embodiment of a golf club head including tuning members is illustrated in FIG. **19**. Golf club head **180** is a hollow body constructed from a crown portion **182** including dimples **183**, a heel portion **184**, a toe portion **186**, a rear portion **188**, a sole portion **190**, a front portion **192** and a hosel **193**. Tuning members **194**, **196** extend across the interior hollow cavity between crown portion **182** and sole portion **190** and are selected to create desired vibration characteristics of golf club head **180**.

Golf club head **180** includes a planar tuning member **194** and a curved tuning member **196**. Planar tuning member **194** extends between crown portion **182** and sole portion **190** on a toe side of club head **180**. Curved tuning member **196** extends between crown portion **182** and sole portion **190** on a heel side of club head **180**. The curvature and thickness of tuning members **194**, **196** are selected so that club head has a desired vibration behavior. Preferably, the curvature of the curved tuning member is oriented so that it is curved away from the nearest side wall. For example, as shown, curved tuning member **196** is disposed on the heel side of club head **180** so it is oriented so that it is curved away from heel portion **184**. It should be appreciated that the club head may be constructed using investment casting and the orientation of the curved tuning member may be selected to provide clearance for manipulating a core during the formation of the wax pattern, or model. In particular, in the present embodiment, by orienting the curved tuning member so it is curved away from the nearest side, additional clearance is provided for removing core pieces. As a result, removal of the core is simplified and fewer core pieces may be required. It should be appreciated that tuning members **194**, **196** may be cast integral with club head **180** or formed separately and attached to club head **180**.

Referring to FIGS. **20** and **21**, another embodiment of a golf club head including a single tuning member will be described. Similar to previous embodiments, golf club head **200** is a hollow body constructed from a crown portion **202**, a

heel portion **204**, a toe portion **206**, a rear portion **208**, a sole portion **210**, a front portion **212** and a hosel **213**. A single tuning member **214** extends between bosses **216** included on crown portion **202** and sole portion **210** and alters the vibration behavior of club head **200**. In the present embodiment, the placement of tuning member **214** corresponds to a desired configuration for a club head having vibration characteristics such as exemplary club head **30** of FIG. **3**. In particular, tuning member **214** is located so that it contacts crown portion **202** adjacent a location of maximum displacement of a low frequency vibration mode.

Bosses **216** provide attachment features for coupling tuning member **214** to crown portion **202** and sole portion **210**. Bosses **216** are raised portions that extend inward from the inner surfaces of each of crown portion **202** and sole portion **210**. Similar to the previously described embodiments, each boss **216** includes a mating surface **218** that is configured to abut an end surface **220** of tuning member **214** and a locating member **222** that aligns the end of tuning member **214** on boss **216** so that tuning member **214** is properly located for attachment.

It should be appreciated that in any of the illustrated embodiments, bosses on the crown portion and/or the sole portion may be configured so that the tuning members may be removable, as shown in FIGS. **10-12**. Removable tuning members allow a manufacturer or user to alter the sound tuning of a particular head. For example, a plurality of tuning members having different configurations may be provided and any combination of the tuning members may be installed in a club

While it is apparent that the illustrative embodiments of the invention disclosed herein fulfill the objectives stated above, it is appreciated that numerous modifications and other embodiments may be devised by those skilled in the art. Elements from one embodiment can be incorporated into other embodiments. Therefore, it will be understood that the appended claims are intended to cover all such modifications and embodiments, which would come within the spirit and scope of the present invention.

We claim:

1. A golf club head, comprising:
 - a body including a crown portion and a sole portion and defining an interior cavity; and
 - a tuning member extending across the interior cavity, wherein a first end of the tuning member is attached to the crown portion at a first attachment location and a second end of the tuning member is attached to the sole portion at a second attachment location, wherein the body includes a first distance between the first attachment location and the second attachment location when the body is in a free state, and the tuning member has a length that is greater than the first distance when the tuning member is in a free state, wherein the tuning member is constructed from a metallic material and a non-metallic material;
 - wherein the crown portion includes a concave dimple and the tuning member extends across the interior cavity between the dimple and the sole.
2. The golf club head of claim 1, wherein the tuning member includes a dampening member and a spring member.
3. The golf club head of claim 1, wherein the non-metallic material is a viscoelastic polymer.
4. A golf club head, comprising:
 - a body including a crown portion and a sole portion and defining an interior cavity; and
 - a tuning member extending across the interior cavity, wherein a first end of the tuning member is attached to

9

the crown portion at a first attachment location and a second end of the tuning member is attached to the sole portion at a second attachment location, wherein the body includes a first distance between the first attachment location and the second attachment location when the body is in a free state, and the tuning member has a length that is greater than the first distance when the tuning member is in a free state, wherein the tuning member is constructed from a metallic material and a non-metallic material;

wherein at least one of the crown portion and the sole portion includes a boss, wherein the boss includes a mating surface that abuts an end surface of the tuning member and a locating member that abuts a side surface of the tuning member.

5. A golf club head, comprising:
 a body including a crown portion, a sole portion, a toe portion extending between the crown portion and the sole portion and a heel portion extending between the crown portion and the sole portion and defining an interior cavity;
 a curved tuning member extending across the interior cavity, wherein a first end of the tuning member is attached to the crown portion at a first attachment location and a second end of the tuning member is attached to the sole portion at a second attachment location; and
 a planar tuning member extending across the interior cavity and attached to the crown portion and the sole portion, wherein the curved tuning member is oriented so that it is curved away from the nearest of the toe portion and the heel portion;

wherein the crown portion includes a concave dimple and the first attachment location is disposed on the dimple.

6. The golf club head of claim 5, wherein the curved tuning member is disposed on a heel side of the body and the planar tuning member is disposed on a toe side of the body.

7. A golf club head, comprising:
 a body including a crown portion and a sole portion and defining an interior cavity, wherein an aperture extends through the sole portion;
 a cover removably coupled to the sole portion in the aperture; and
 a tuning member extending across the interior cavity, wherein a first end of the tuning member is attached to the crown portion at a first attachment location and a second end of the tuning member is attached to the cover,

wherein the tuning member is constructed from a metallic material and a non-metallic material;
 wherein the crown portion includes a boss located at the first attachment location and the first end of the tuning member is attached to the boss.

10

8. The golf club head of claim 7, wherein the tuning member includes a dampening member and a spring member.

9. The golf club head of claim 7, wherein the non-metallic material is a viscoelastic polymer.

10. A golf club head, comprising:
 a body including a crown portion and a sole portion and defining an interior cavity, wherein an aperture extends through the sole portion;
 a cover removably coupled to the sole portion in the aperture; and
 a tuning member extending across the interior cavity, wherein a first end of the tuning member is attached to the crown portion at a first attachment location and a second end of the tuning member is attached to the cover,

wherein the tuning member is constructed from a metallic material and a non-metallic material;
 wherein the sole portion includes a boss and the aperture extends through the boss.

11. A golf club head, comprising:
 a body including a crown portion and a sole portion and defining an interior cavity, wherein an aperture extends through the sole portion;
 a cover removably coupled to the sole portion in the aperture; and
 a tuning member extending across the interior cavity, wherein a first end of the tuning member is attached to the crown portion at a first attachment location and a second end of the tuning member is attached to the cover,

wherein the tuning member is constructed from a metallic material and a non-metallic material;
 wherein the cover includes a threaded outer surface that threadably engages a threaded surface of the aperture.

12. A golf club head, comprising:
 a body including a crown portion and a sole portion and defining an interior cavity, wherein an aperture extends through the sole portion;
 a cover removably coupled to the sole portion in the aperture; and
 a tuning member extending across the interior cavity, wherein a first end of the tuning member is attached to the crown portion at a first attachment location and a second end of the tuning member is attached to the cover, wherein the tuning member is constructed from a metallic material and a non-metallic material;
 wherein the crown portion includes a concave dimple and the tuning member extends across the interior cavity between the dimple and the sole.

* * * * *