



US00D637675S

(12) **United States Design Patent**
Evans

(10) **Patent No.:** **US D637,675 S**

(45) **Date of Patent:** **** *May 10, 2011**

(54) **GOLF CLUB HOSEL**

(75) Inventor: **D. Clayton Evans**, San Marcos, CA
(US)

(73) Assignee: **Callaway Golf Company**, Carlsbad, CA
(US)

(*) Notice: This patent is subject to a terminal disclaimer.

(**) Term: **14 Years**

(21) Appl. No.: **29/365,951**

(22) Filed: **Jul. 16, 2010**

(51) **LOC (9) Cl.** **21-02**

(52) **U.S. Cl.** **D21/759**

(58) **Field of Classification Search** D21/733-753,
D21/759; 473/324-331, 340-346, 350
See application file for complete search history.

(56) **References Cited**

U.S. PATENT DOCUMENTS

5,324,033	A	*	6/1994	Fenton, Jr.	473/305
D393,678	S	*	4/1998	Jones et al.	D21/759
D401,655	S	*	11/1998	Burrows	D21/753
D434,822	S	*	12/2000	Jacobson et al.	D21/759
D582,999	S	*	12/2008	Evans et al.	D21/759
D583,000	S	*	12/2008	Evans et al.	D21/759
D583,001	S	*	12/2008	Evans et al.	D21/759
D583,891	S	*	12/2008	DeMille et al.	D21/759

D587,770	S	*	3/2009	Evans et al.	D21/759
D588,219	S	*	3/2009	Evans et al.	D21/759
D589,577	S	*	3/2009	Evans et al.	D21/759
D590,466	S	*	4/2009	Hall et al.	D21/759
D590,467	S	*	4/2009	Cackett et al.	D21/759
D590,468	S	*	4/2009	Evans et al.	D21/759
D590,904	S	*	4/2009	Evans et al.	D21/759
D590,905	S	*	4/2009	Demille et al.	D21/759
D591,375	S	*	4/2009	Evans et al.	D21/759
D591,376	S	*	4/2009	Evans et al.	D21/759
D591,377	S	*	4/2009	Evans et al.	D21/759
D591,378	S	*	4/2009	Hocknell et al.	D21/759

* cited by examiner

Primary Examiner — Mitchell I Siegel

(74) *Attorney, Agent, or Firm* — Michael A. Catania;
Rebecca Hanovice

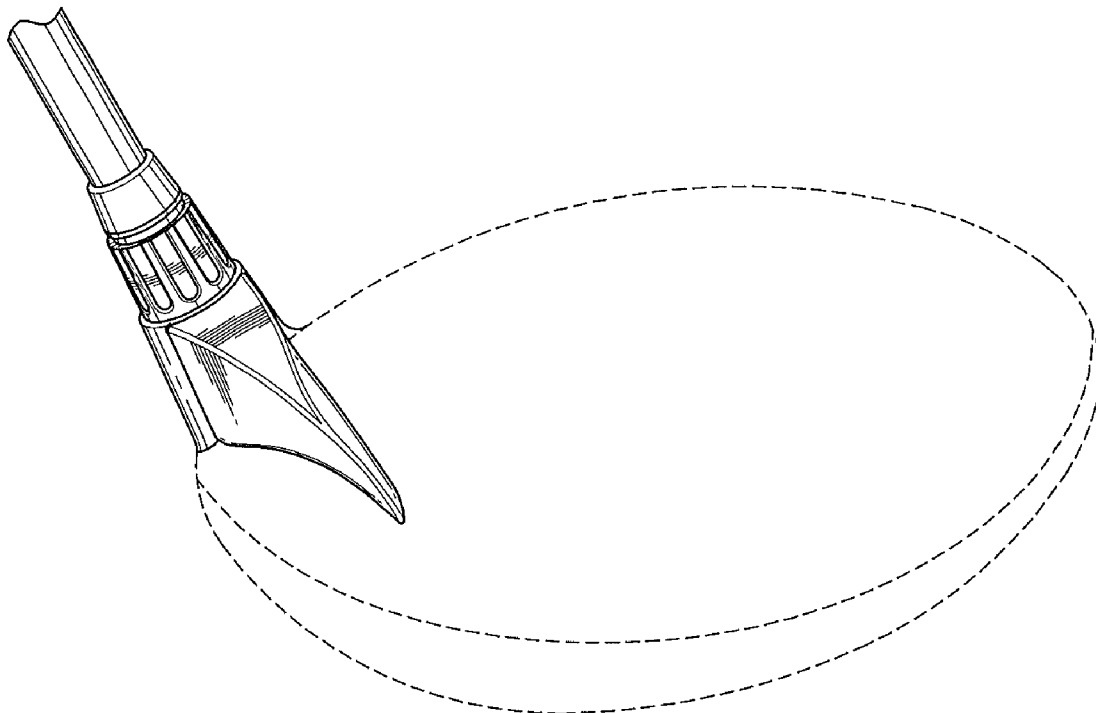
(57) **CLAIM**

The ornamental design for a golf club hosel, as shown and described.

DESCRIPTION

FIG. 1 is a top perspective view of a golf club hosel with a golf club head shown in broken lines;
FIG. 2 is a top plan view thereof;
FIG. 3 is a heel side view thereof;
FIG. 4 is a toe side view thereof;
FIG. 5 is a front elevational view thereof; and,
FIG. 6 is a back elevational view thereof.
The broken line showing is included for the purpose of illustrating and forms no part of the claimed design.

1 Claim, 3 Drawing Sheets



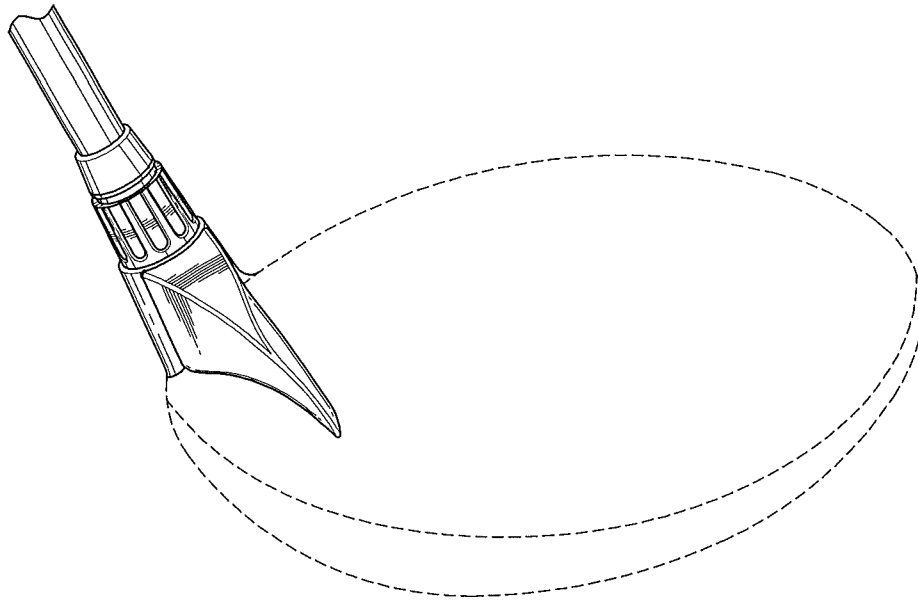


FIG. 1

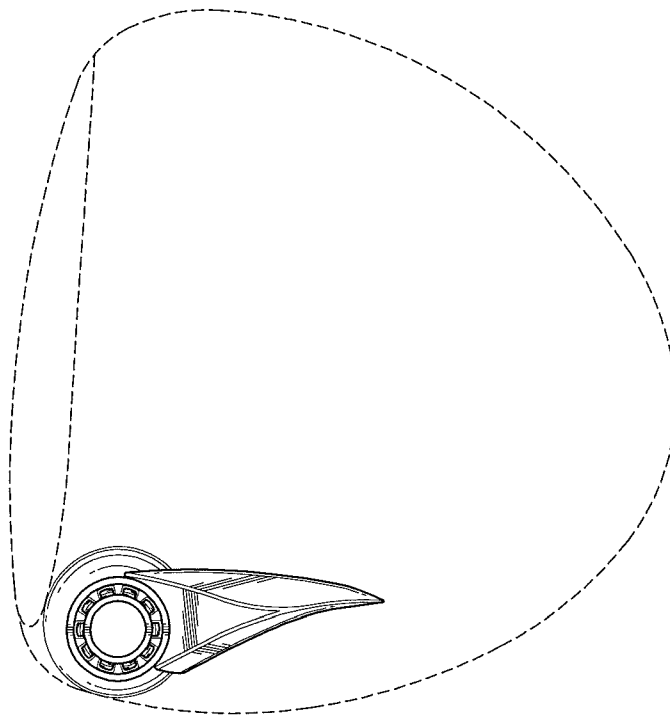


FIG. 2

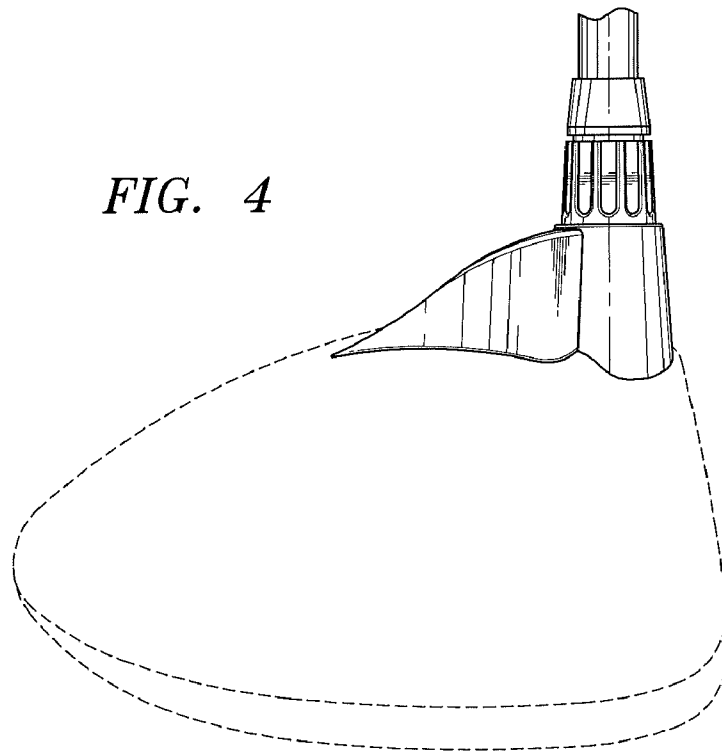
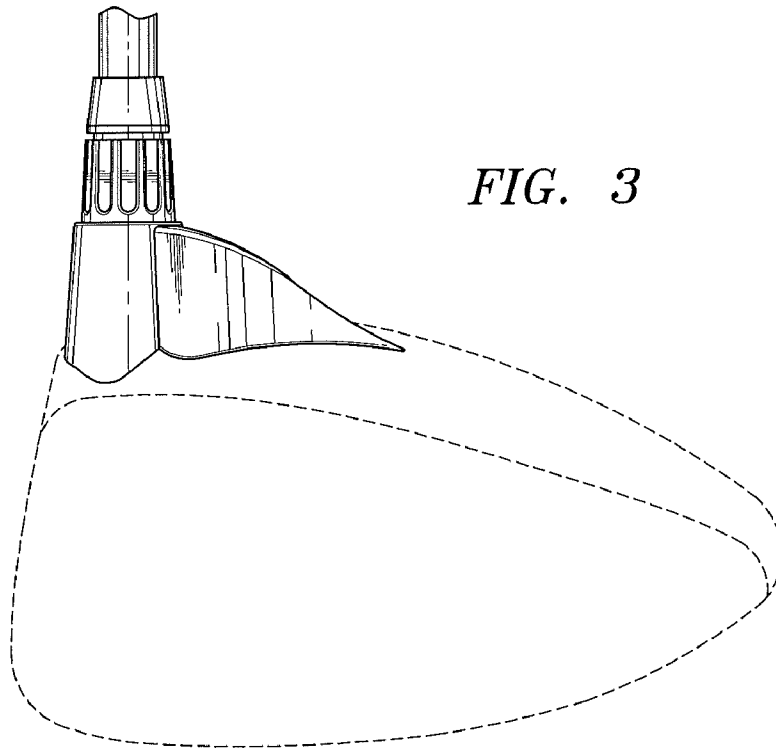


FIG. 5

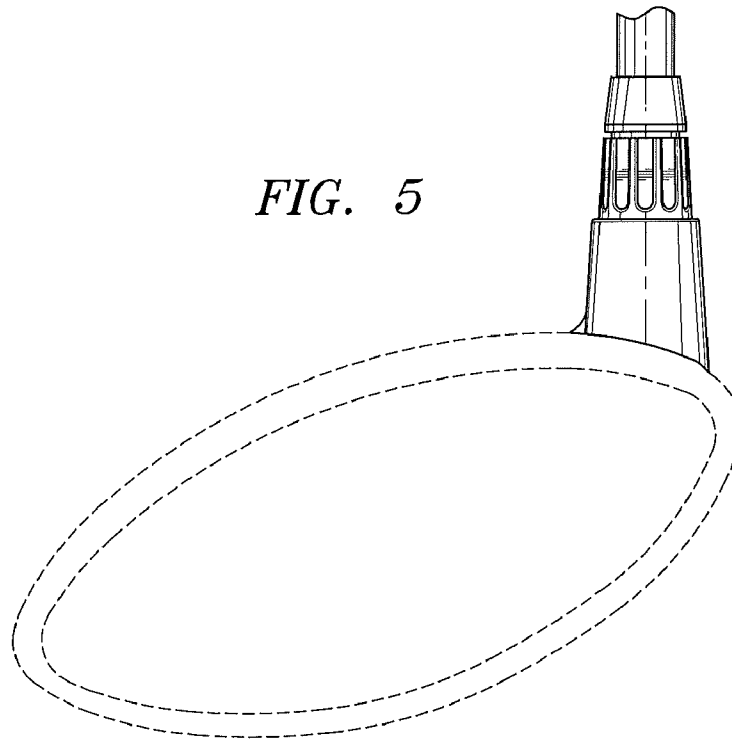


FIG. 6

