



US00D635211S

(12) **United States Design Patent**
Evans

(10) **Patent No.:** **US D635,211 S**

(45) **Date of Patent:** **** Mar. 29, 2011**

(54) **GOLF CLUB HOSEL**

(75) Inventor: **D. Clayton Evans**, San Marcos, CA
(US)

(73) Assignee: **Callaway Golf Company**, Carlsbad, CA
(US)

(**) Term: **14 Years**

(21) Appl. No.: **29/365,947**

(22) Filed: **Jul. 16, 2010**

(51) **LOC (9) Cl.** **21-02**

(52) **U.S. Cl.** **D21/759**

(58) **Field of Classification Search** D21/733-753,
D21/759; 473/324-331, 340-346, 350
See application file for complete search history.

(56) **References Cited**

U.S. PATENT DOCUMENTS

D393,678	S	*	4/1998	Jones et al.	D21/759
D399,279	S	*	10/1998	Jackson	D21/753
D399,281	S	*	10/1998	Allen	D21/759
D401,655	S	*	11/1998	Burrows	D21/753
D422,327	S	*	4/2000	Takaoka et al.	D21/733

D434,822	S	*	12/2000	Jacobson et al.	D21/759
D438,922	S	*	3/2001	Asabuki	D21/733
D461,864	S	*	8/2002	Blankenship	D21/759
D529,112	S	*	9/2006	Tang et al.	D21/752

* cited by examiner

Primary Examiner — Mitchell I Siegel

(74) *Attorney, Agent, or Firm* — Michael A. Catania;
Rebecca Hanovice

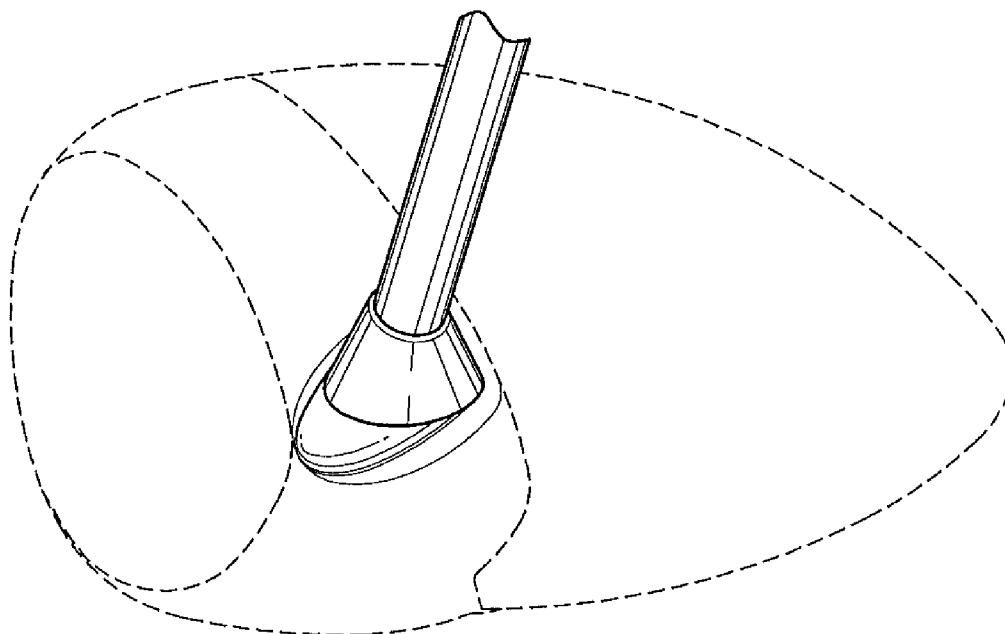
(57) **CLAIM**

The ornamental design for a golf club hosel, as shown and described.

DESCRIPTION

FIG. 1 is a top perspective view of a golf club hosel with a golf club head shown in broken lines; FIG. 2 is a top plan view thereof; FIG. 3 is a heel side view thereof; FIG. 4 is a toe side view thereof; FIG. 5 is a front elevational view thereof; and, FIG. 6 is a back elevational view thereof. The broken line showing is included for the purpose of illustrating and forms no part of the claimed design.

1 Claim, 3 Drawing Sheets



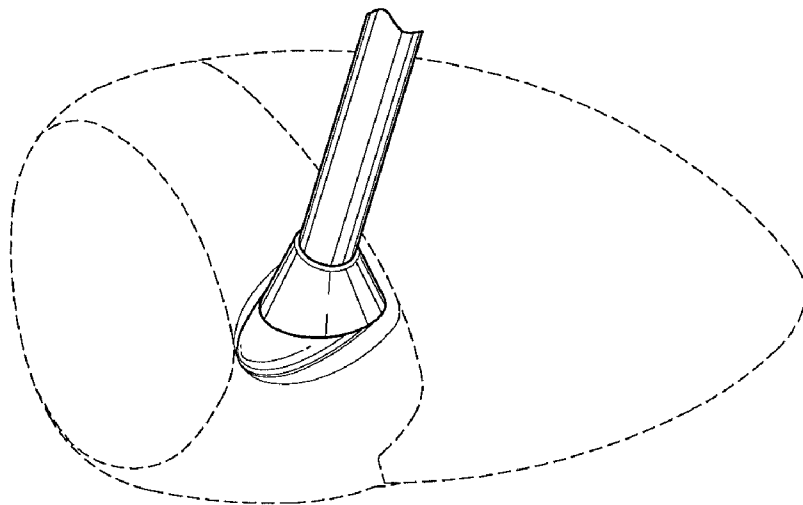


FIG. 1

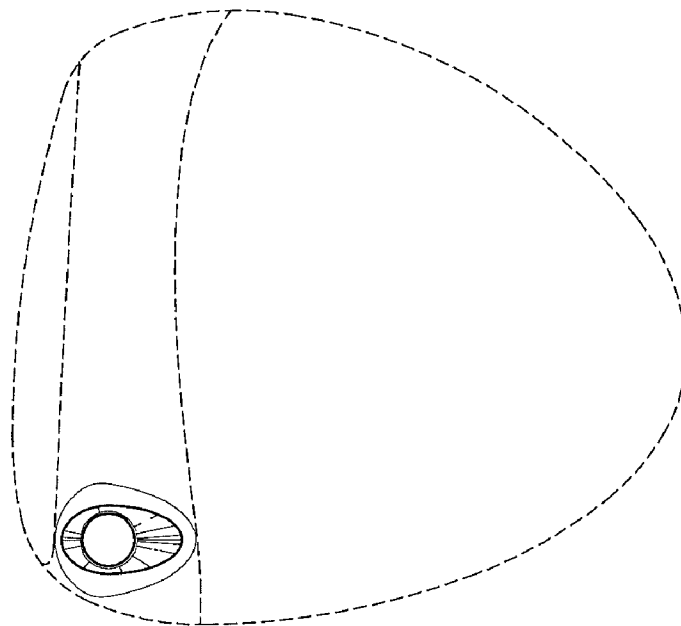


FIG. 2

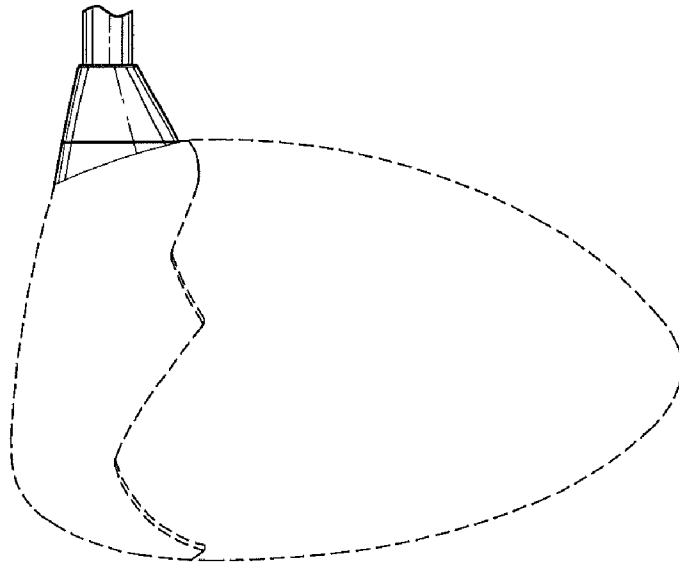


FIG. 3

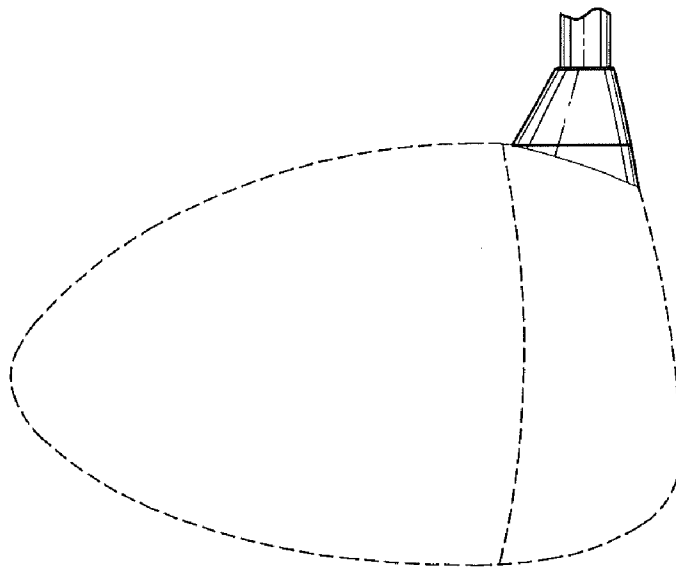


FIG. 4

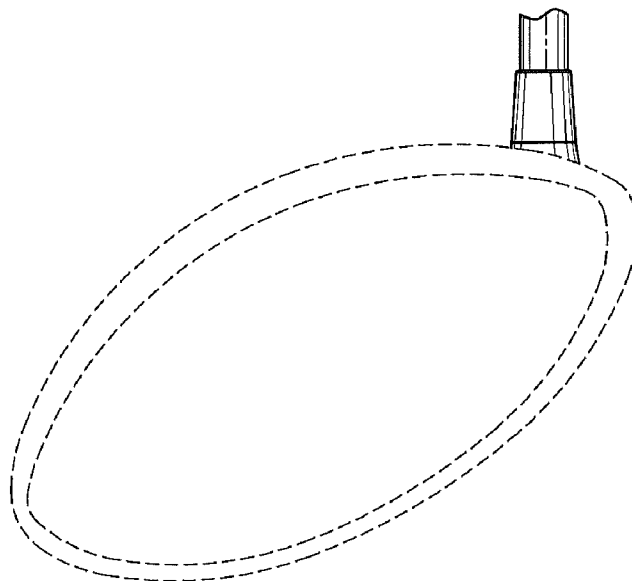


FIG. 5

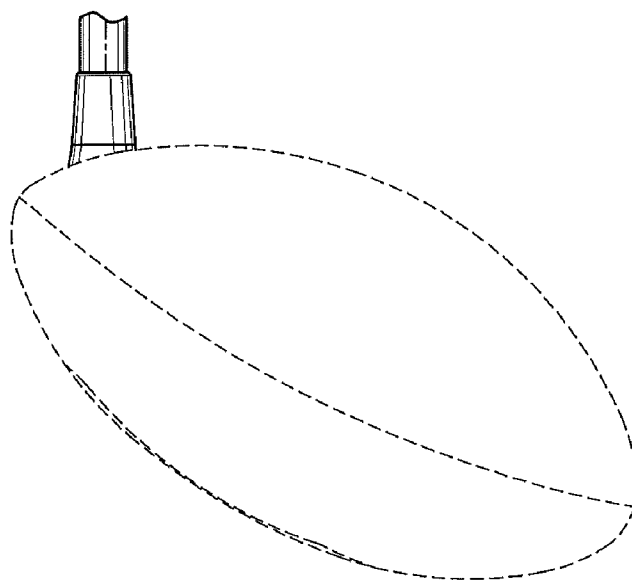


FIG. 6