



US00D606750S

(12) **United States Design Patent**  
**Ciaudo**

(10) **Patent No.:** **US D606,750 S**  
(45) **Date of Patent:** **\*\* Dec. 29, 2009**

(54) **GOLF CLUB BAG**

(75) Inventor: **Joséphine Ciaudo**, Paris (FR)

(73) Assignee: **Hermes Sellier (Societe Par Actions Simplifíee)**, Paris (FR)

(\*\*) Term: **14 Years**

(21) Appl. No.: **29/331,649**

(22) Filed: **Jan. 29, 2009**

(30) **Foreign Application Priority Data**

Jul. 30, 2008 (WO) ..... DM/070 595

(51) **LOC (9) Cl.** ..... **03-01**

(52) **U.S. Cl.** ..... **D3/255**

(58) **Field of Classification Search** ..... D3/254,  
D3/255, 260, 261, 262, 269, 289; 206/315.2–315.8;  
190/109, 111, 112

See application file for complete search history.

(56) **References Cited**

**U.S. PATENT DOCUMENTS**

D102,278 S \* 12/1936 Hughes, Jr. .... D3/255  
4,249,586 A \* 2/1981 Setani ..... 206/315.4  
D278,479 S \* 4/1985 Bevilacqua et al. .... D3/255  
D342,608 S \* 12/1993 Gerner ..... D3/255  
D343,953 S \* 2/1994 Marques ..... D3/203.1  
D376,906 S \* 12/1996 Mori et al. .... D3/255  
D387,201 S \* 12/1997 Mori et al. .... D3/255

D415,613 S \* 10/1999 Moridaira ..... D3/255  
6,148,999 A \* 11/2000 Olson ..... 206/315.4  
D451,670 S \* 12/2001 Knorr et al. .... D3/260  
D485,986 S \* 2/2004 Lai ..... D3/255

\* cited by examiner

*Primary Examiner*—Philip S Hyder

(74) *Attorney, Agent, or Firm*—Foley & Lardner LLP

(57) **CLAIM**

The ornamental design for a golf club bag, as shown and described.

**DESCRIPTION**

FIG. 1 is a front view of a golf club bag according to my new design;

FIG. 2 is a back view of the golf club bag shown in FIG. 1;

FIG. 3 is a right side view of the golf club bag shown in FIG. 1;

FIG. 4 is a left side view of the golf club bag shown in FIG. 1;

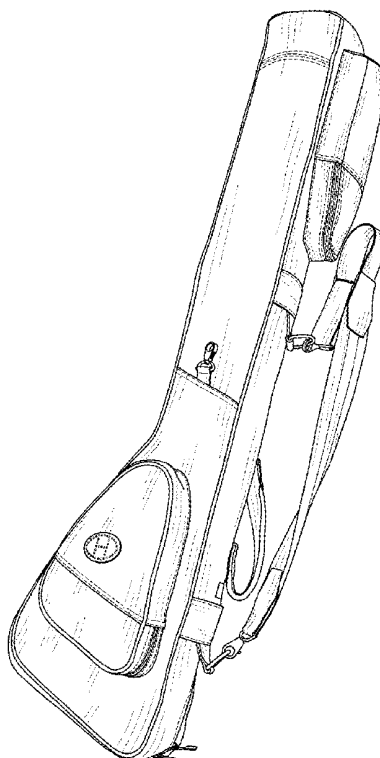
FIG. 5 is a top view of the golf club bag shown in FIG. 1;

FIG. 6 is a bottom view of the golf club bag shown in FIG. 1; and,

FIG. 7 is a frontal perspective view of the golf club bag shown in FIG. 1 shown partially collapsed.

The ornamental design which is claimed is shown in solid lines in the drawings.

**1 Claim, 7 Drawing Sheets**



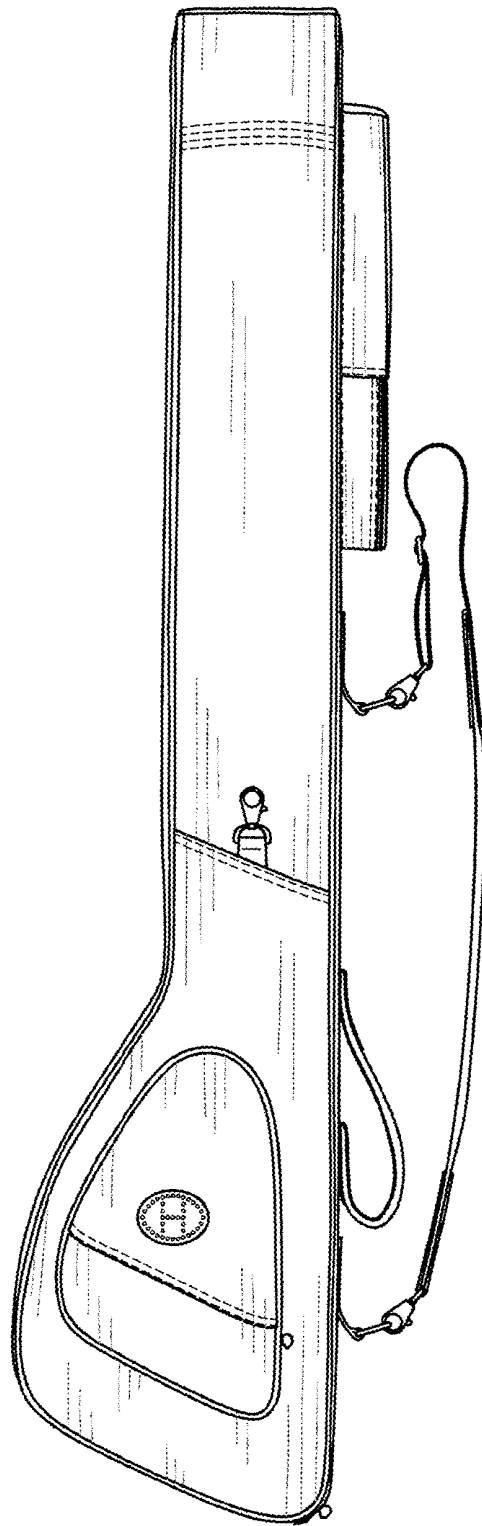


FIG. 1

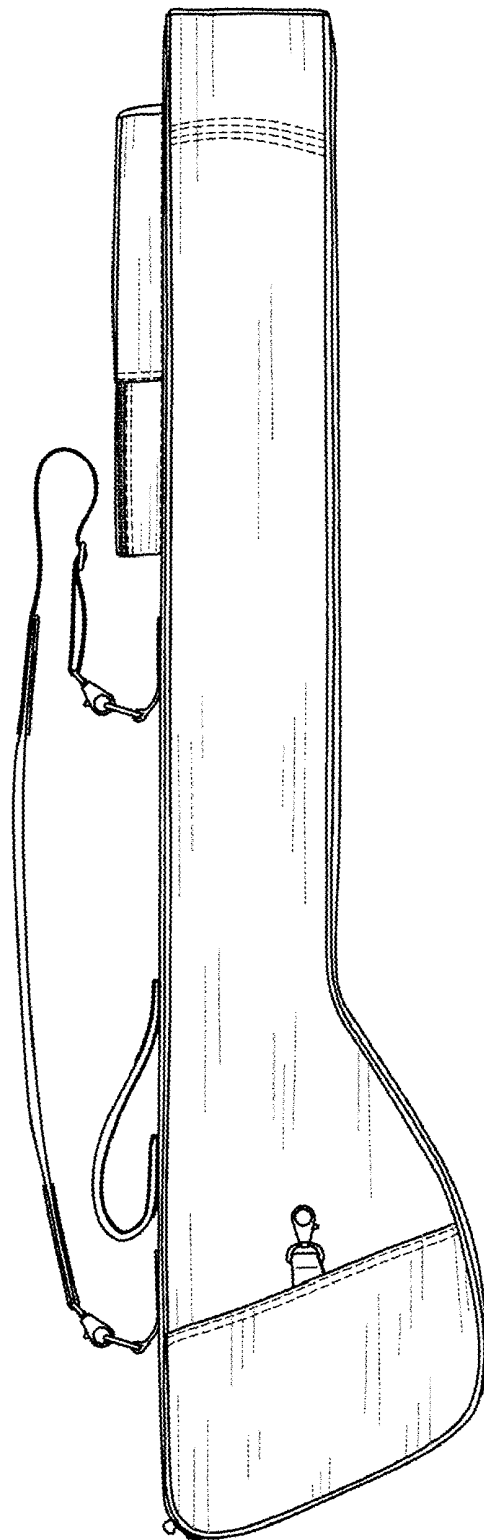


FIG. 2

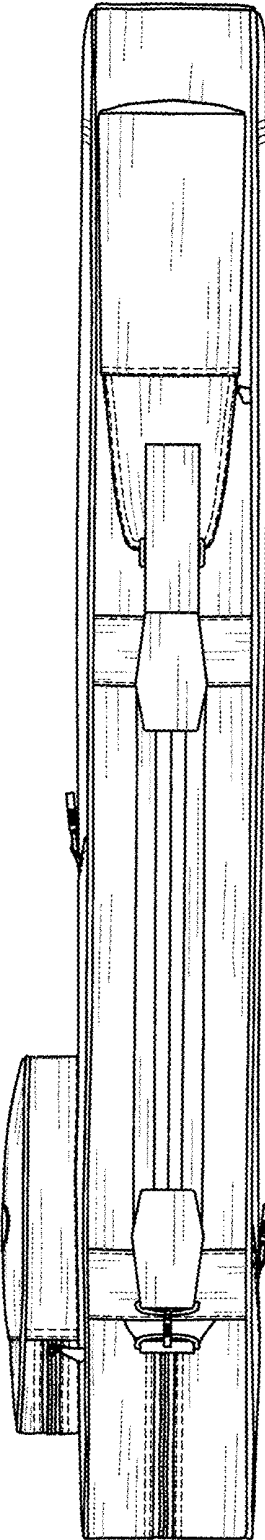


FIG. 3

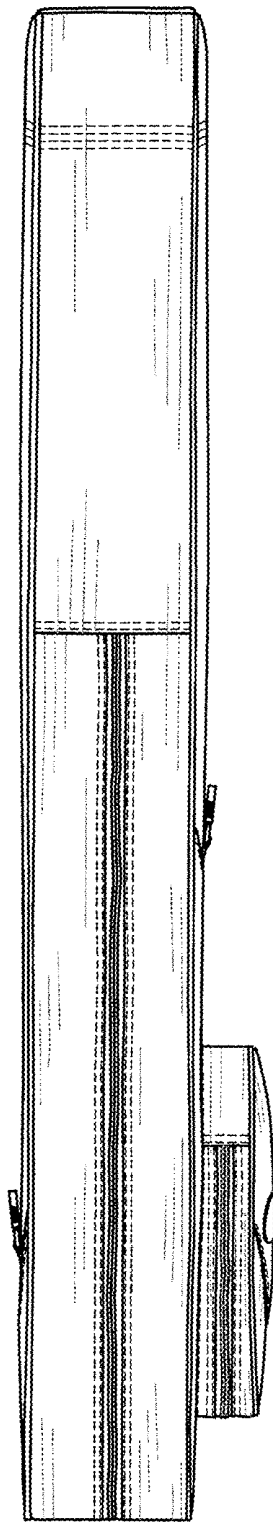


FIG. 4

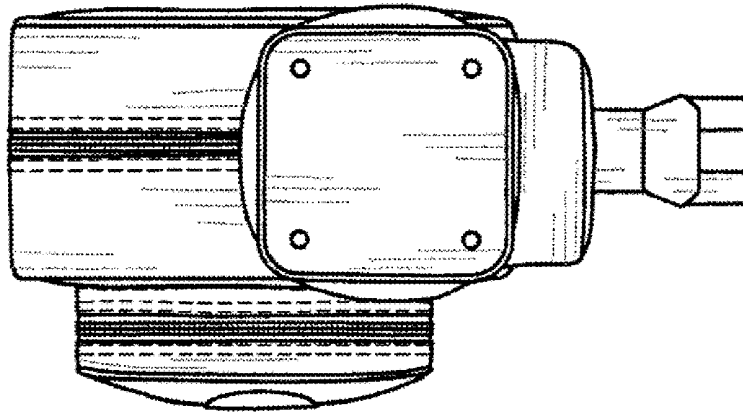


FIG. 5

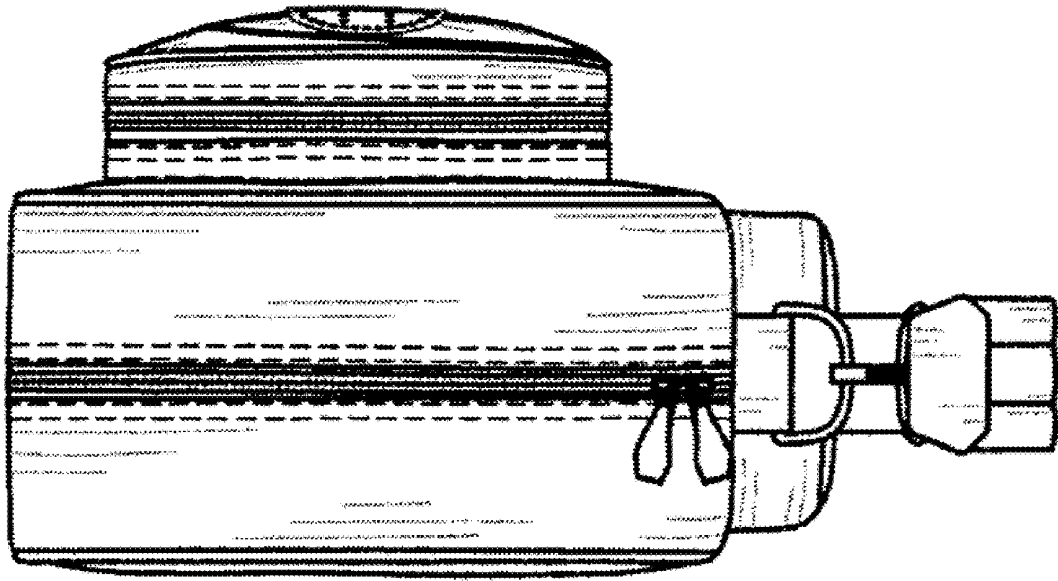


FIG. 6

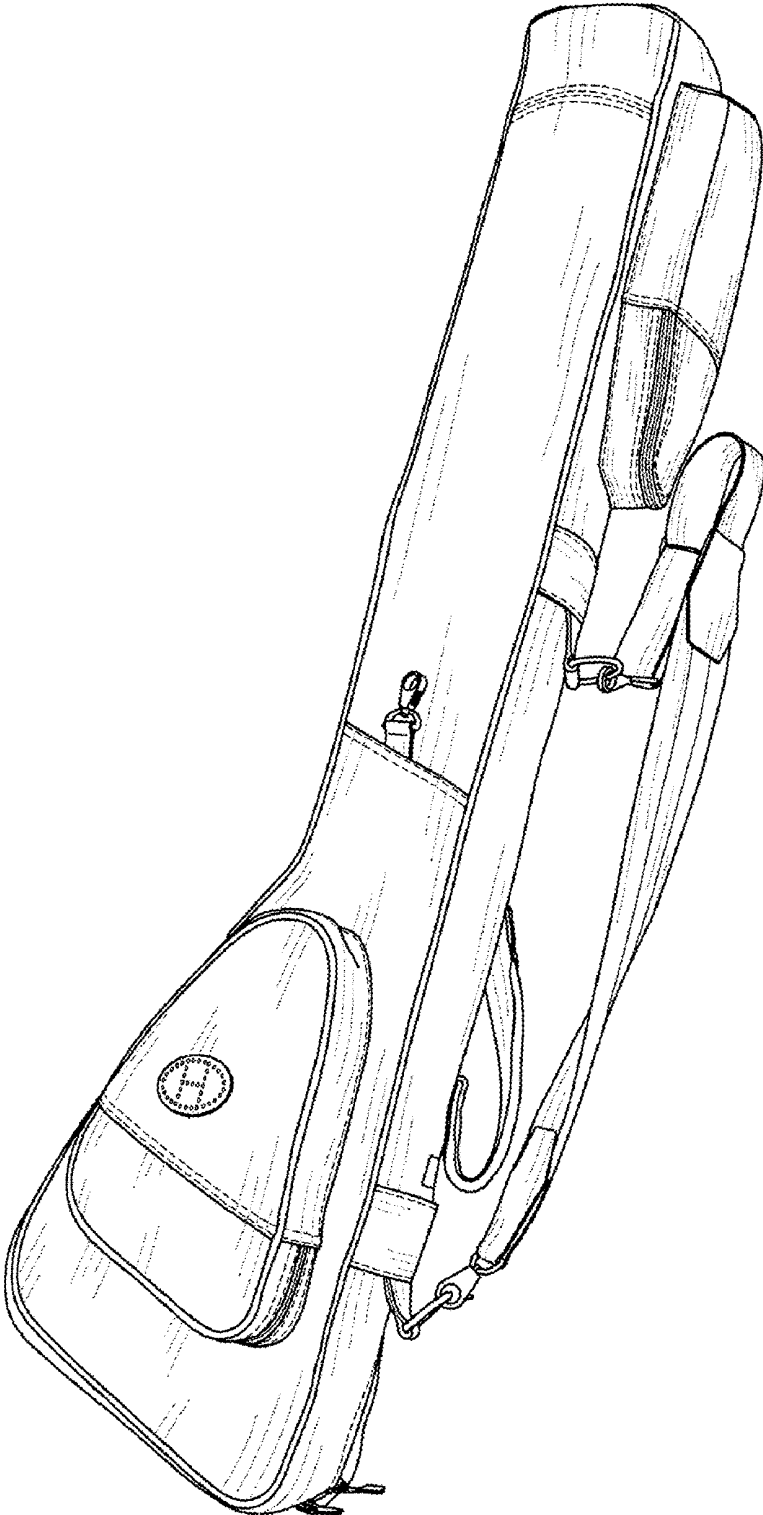


FIG. 7