



US 20090286619A1

(19) **United States**

(12) **Patent Application Publication**
Beach et al.

(10) **Pub. No.: US 2009/0286619 A1**

(43) **Pub. Date: Nov. 19, 2009**

(54) **GOLF CLUB**

Related U.S. Application Data

(75) Inventors: **Todd P. Beach**, San Diego, CA (US); **Mark V. Greaney**, Vista, CA (US); **Ian C. Wright**, Carlsbad, CA (US); **Kraig A. Willett**, Fallbrook, CA (US); **Nathan T. Sargent**, San Marcos, CA (US); **Matthew D. Johnson**, Carlsbad, CA (US); **Gery M. Zimmerman**, Fallbrook, CA (US)

(60) Provisional application No. 61/054,085, filed on May 16, 2008.

Publication Classification

(51) **Int. Cl.**
A63B 53/02 (2006.01)
A63B 53/06 (2006.01)
(52) **U.S. Cl.** **473/324; 473/307; 473/314; 473/310; 473/409**

(57) **ABSTRACT**

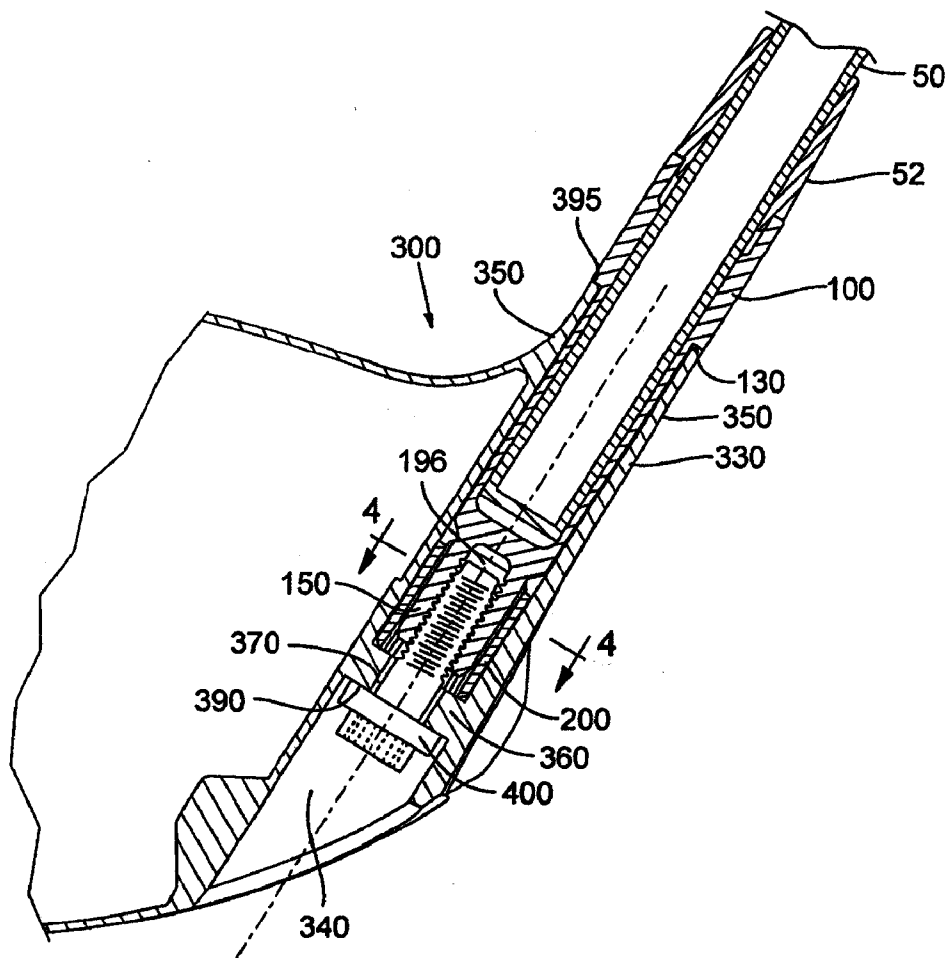
A golf club comprises a shaft, a club head, and a connection assembly that allows the shaft to be easily disconnected from the club head. In particular embodiments, the connection assembly includes a removable hosel sleeve that allows a shaft to be supported a desired predetermined orientation relative to the club head. In this manner, the shaft loft and/or lie angle of the club can be adjusted without resorting to traditional bending of the shaft. In another embodiment, the club head has an adjustable sole that can be adjusted upwardly and downwardly relative to the strike face of the club head, which is effective to adjust the face angle of the club head.

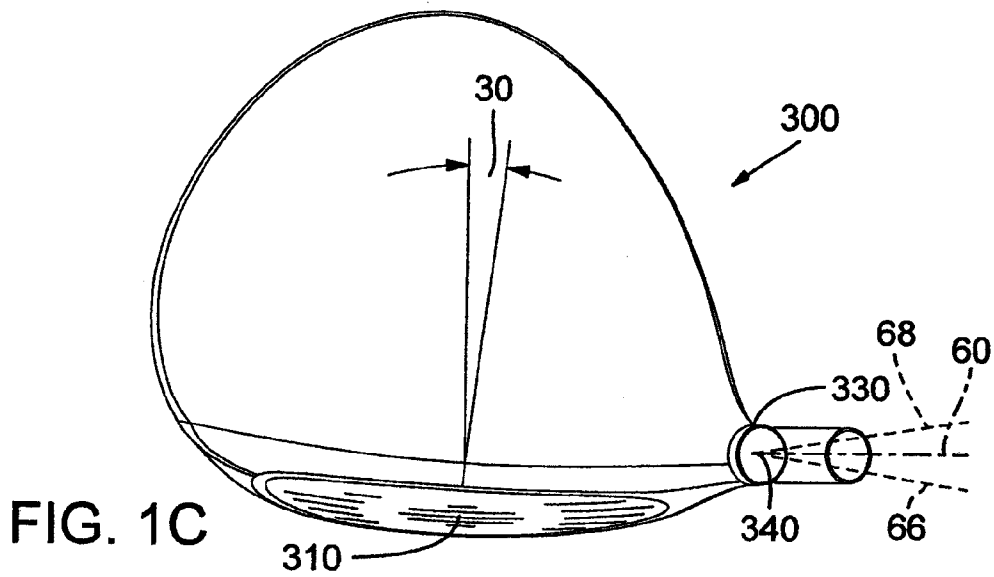
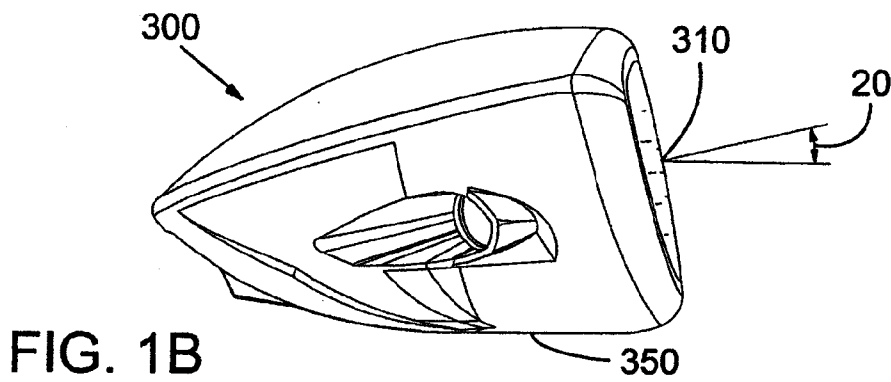
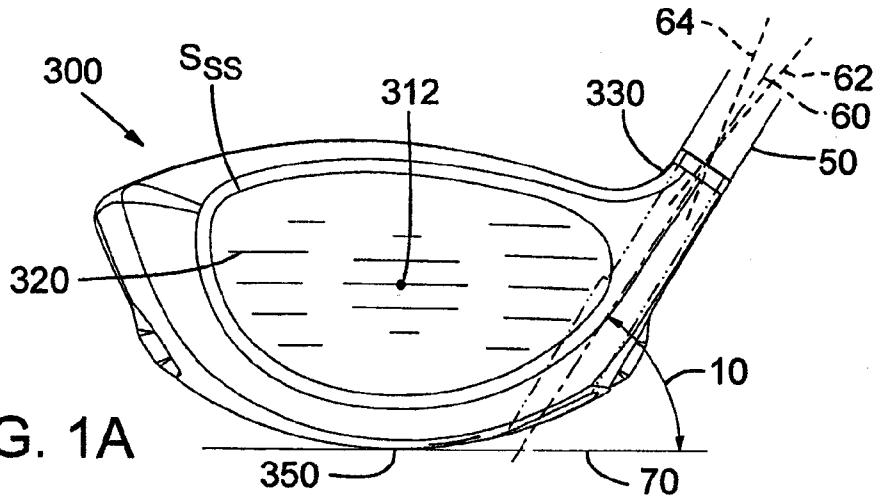
Correspondence Address:
KLARQUIST SPARKMAN, LLP
121 S.W. SALMON STREET
PORTLAND, OR 97204 (US)

(73) Assignee: **Taylor Made Golf Company, Inc.**

(21) Appl. No.: **12/346,752**

(22) Filed: **Dec. 30, 2008**





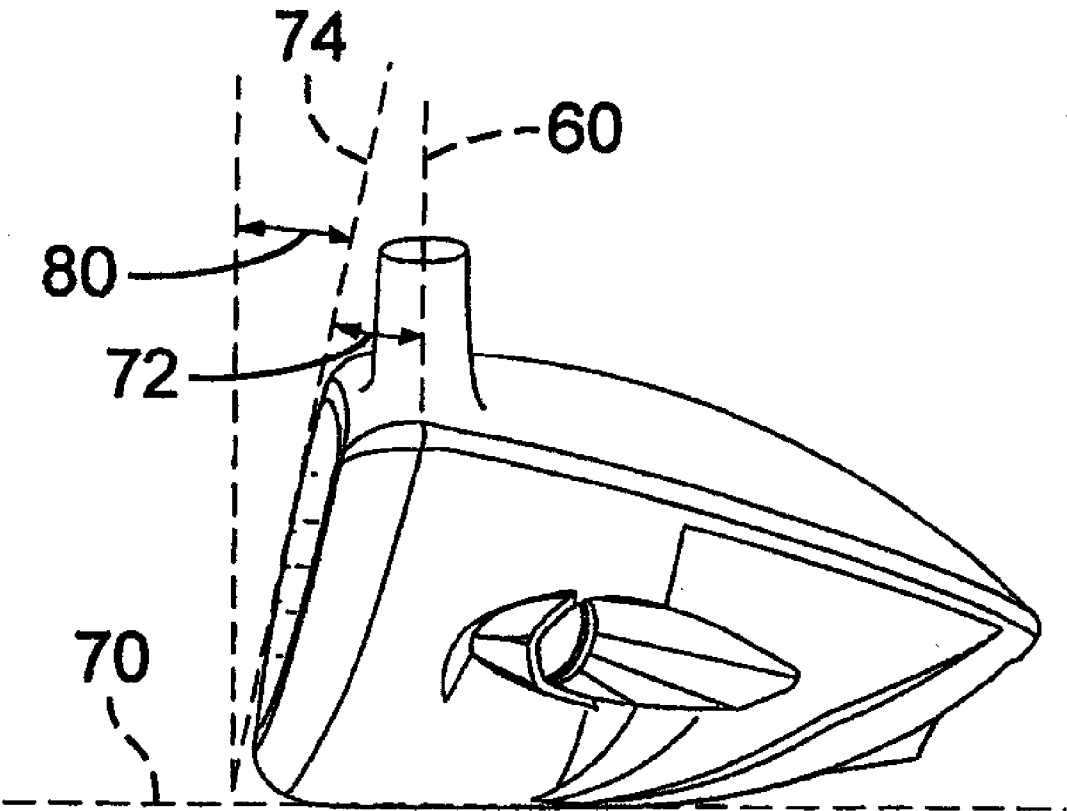
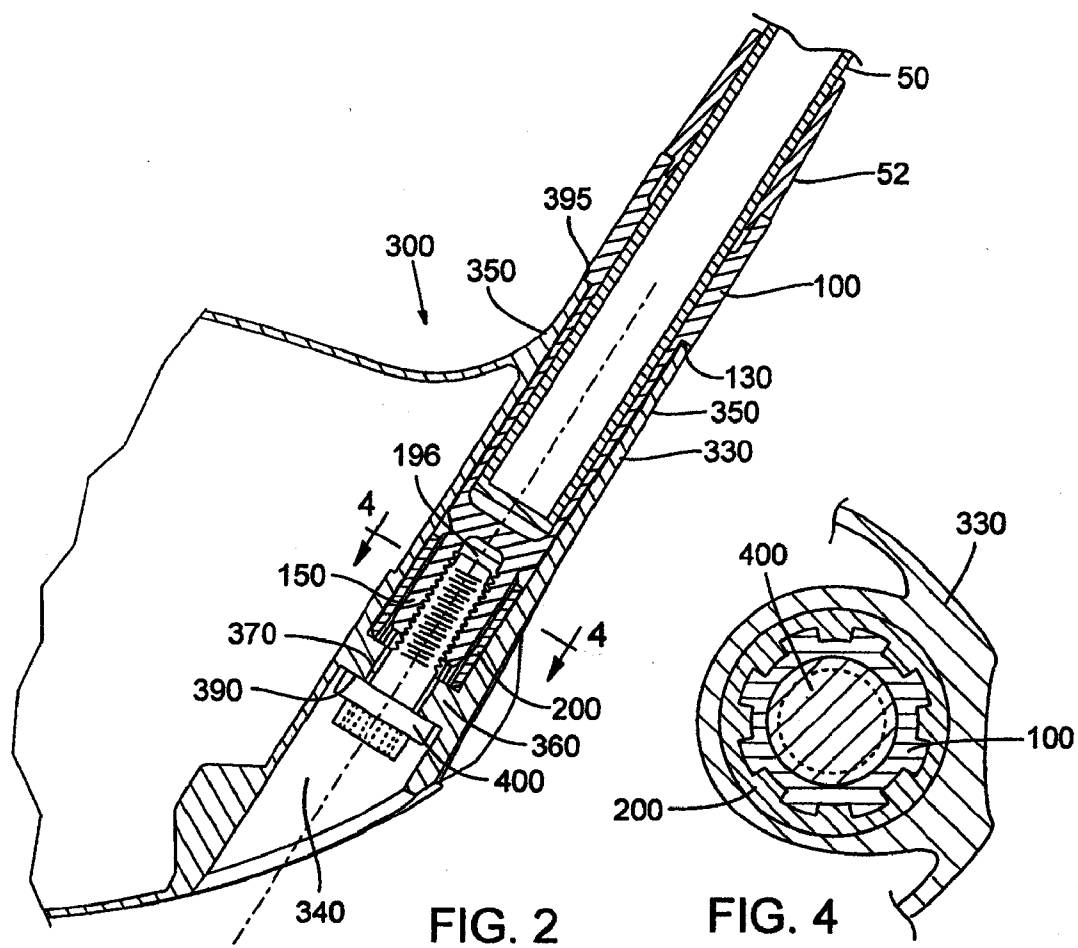


FIG. 1D



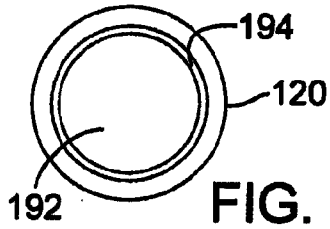


FIG. 8

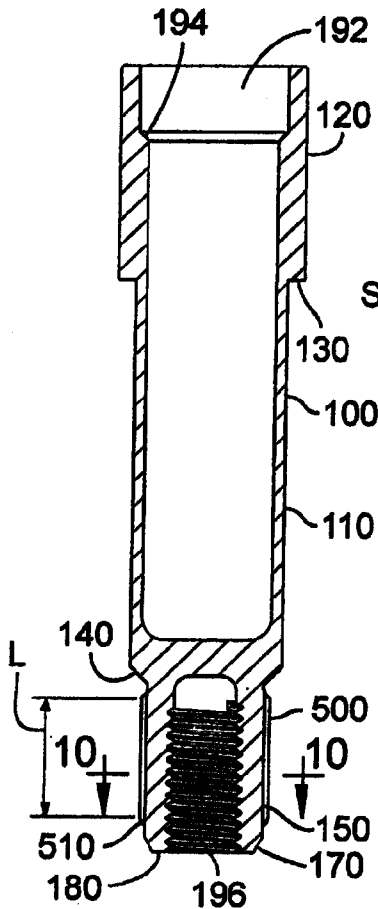


FIG. 7

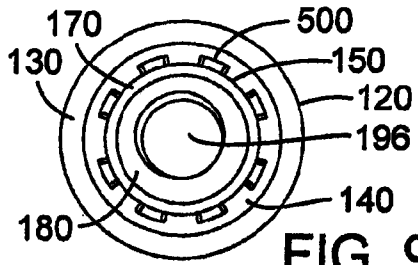


FIG. 9

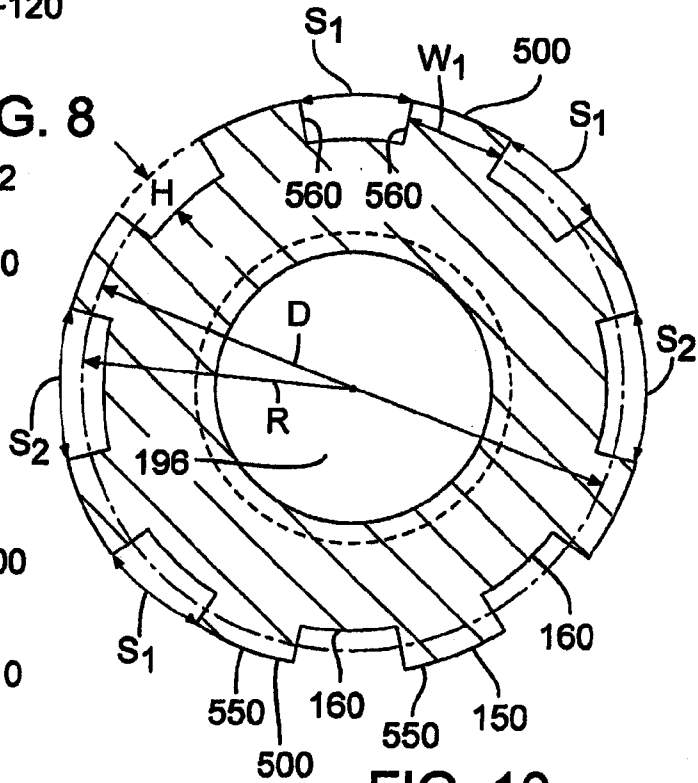


FIG. 10

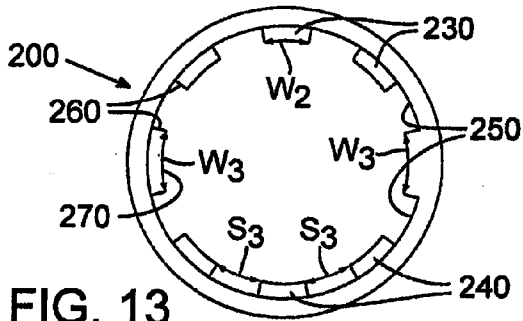


FIG. 13

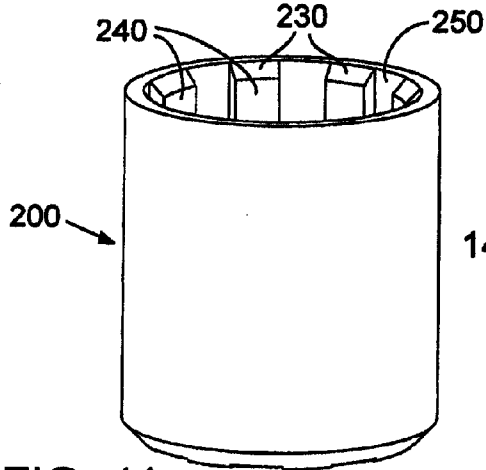


FIG. 11

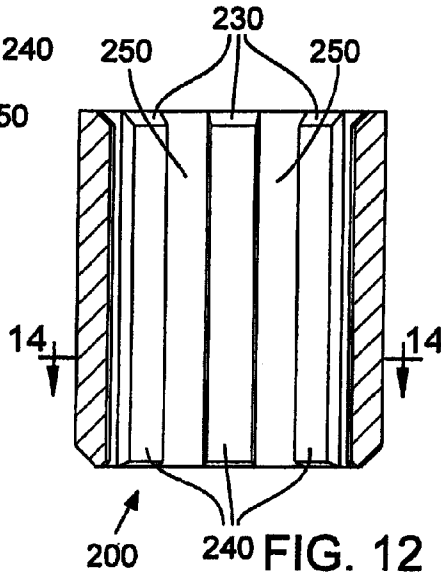


FIG. 12

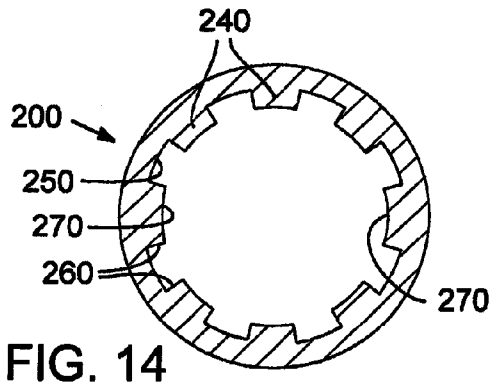


FIG. 14

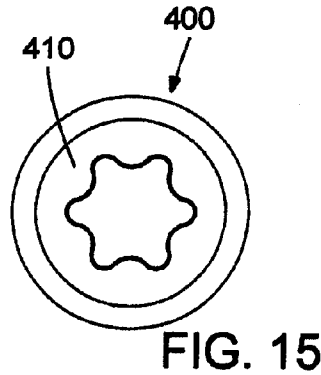


FIG. 15

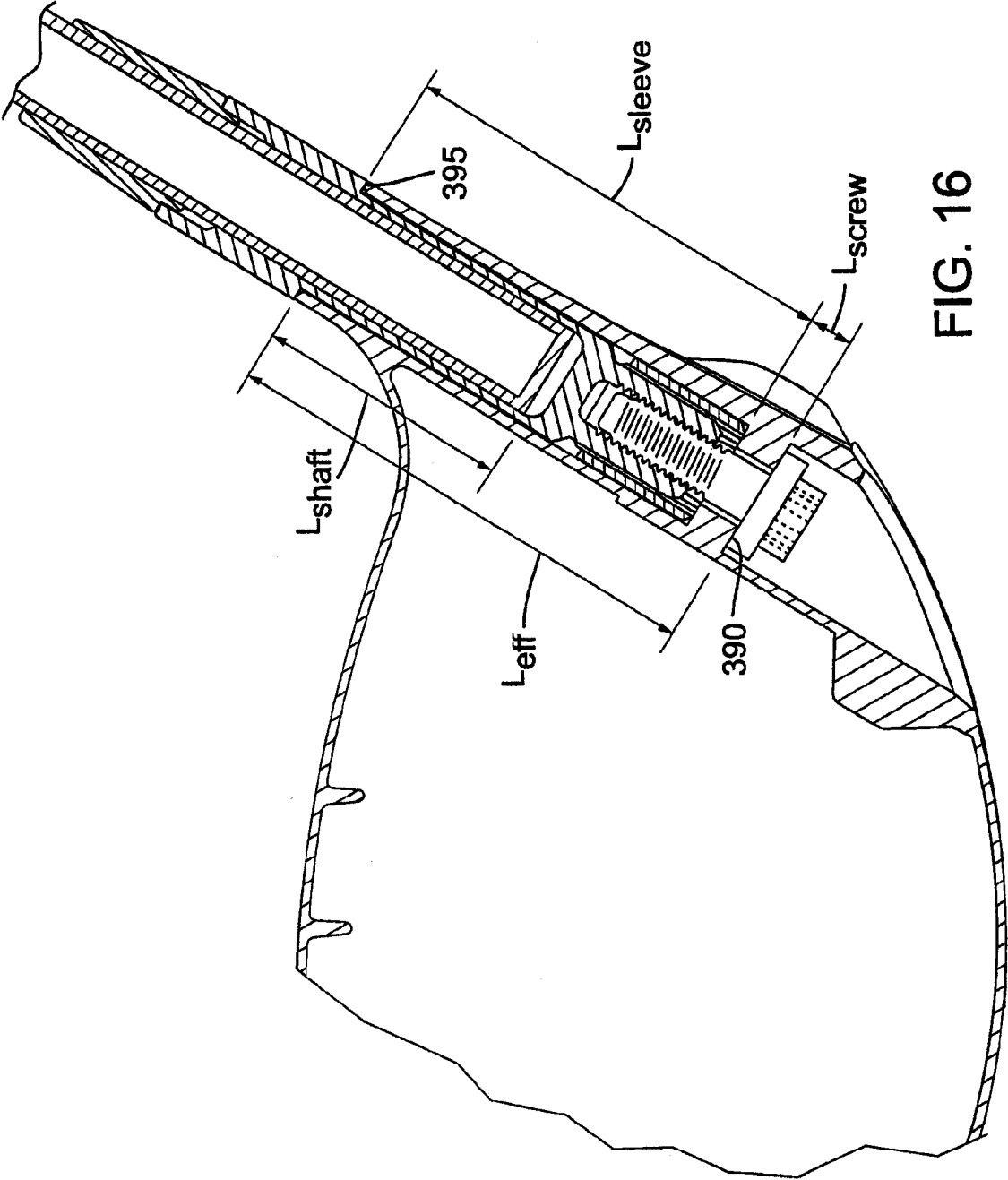
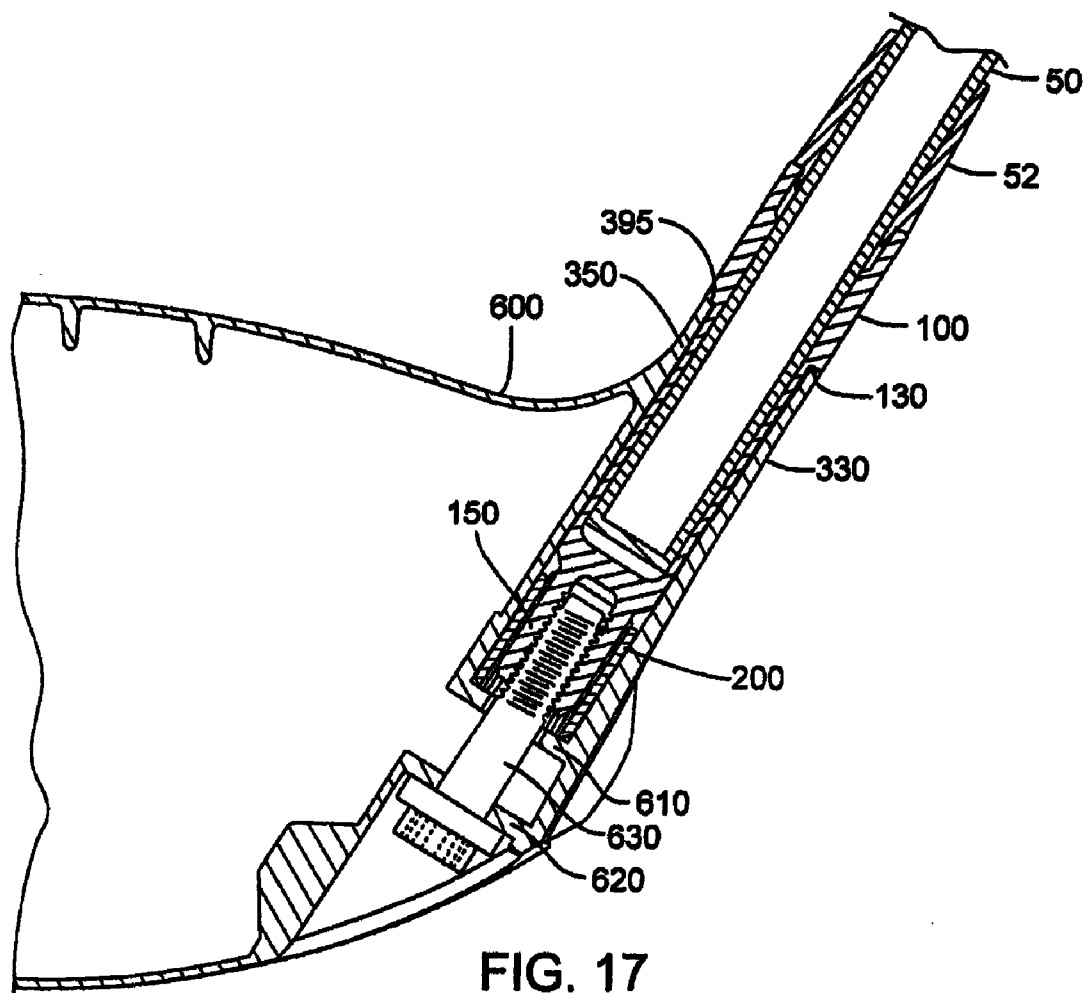
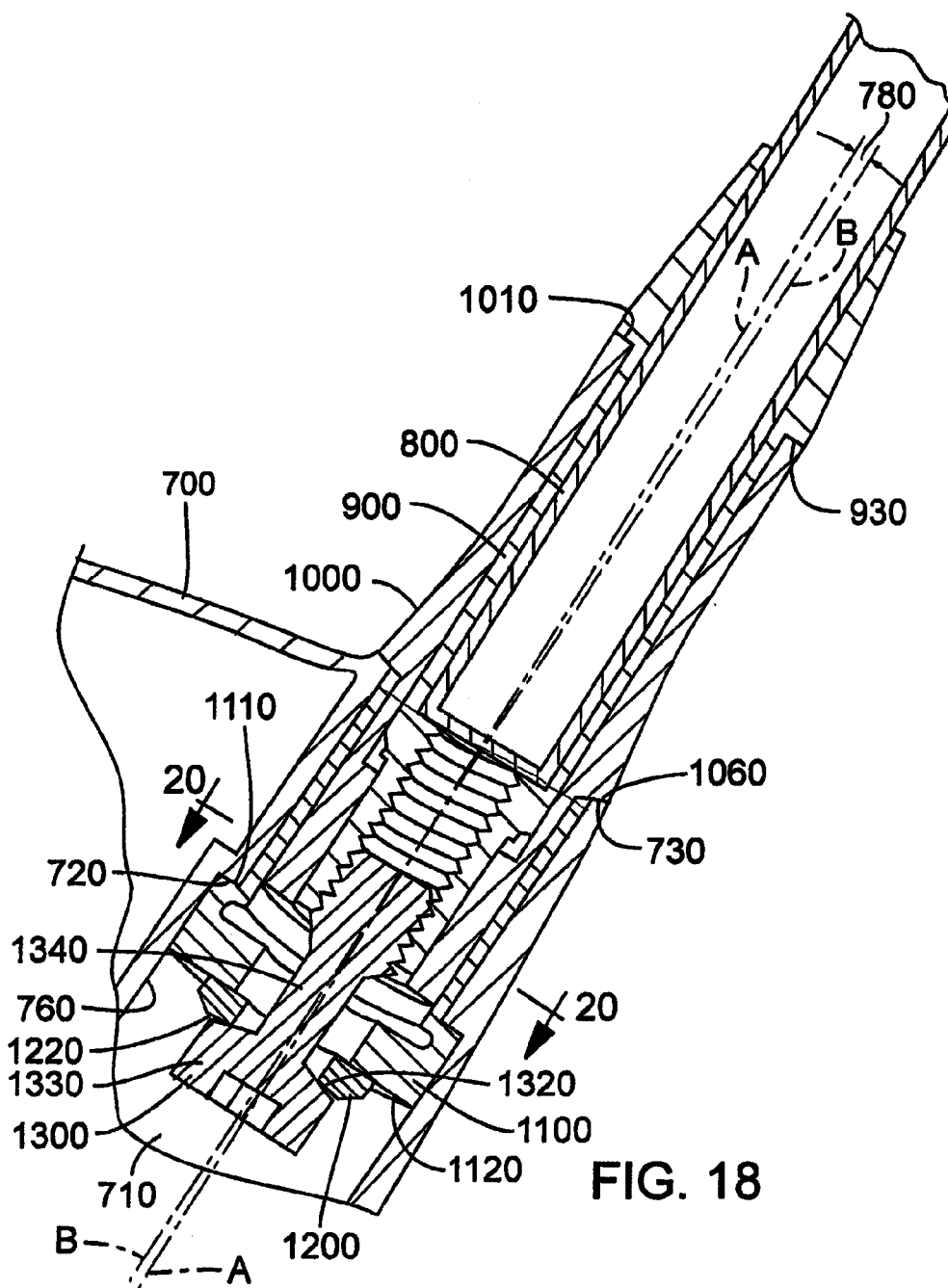


FIG. 16





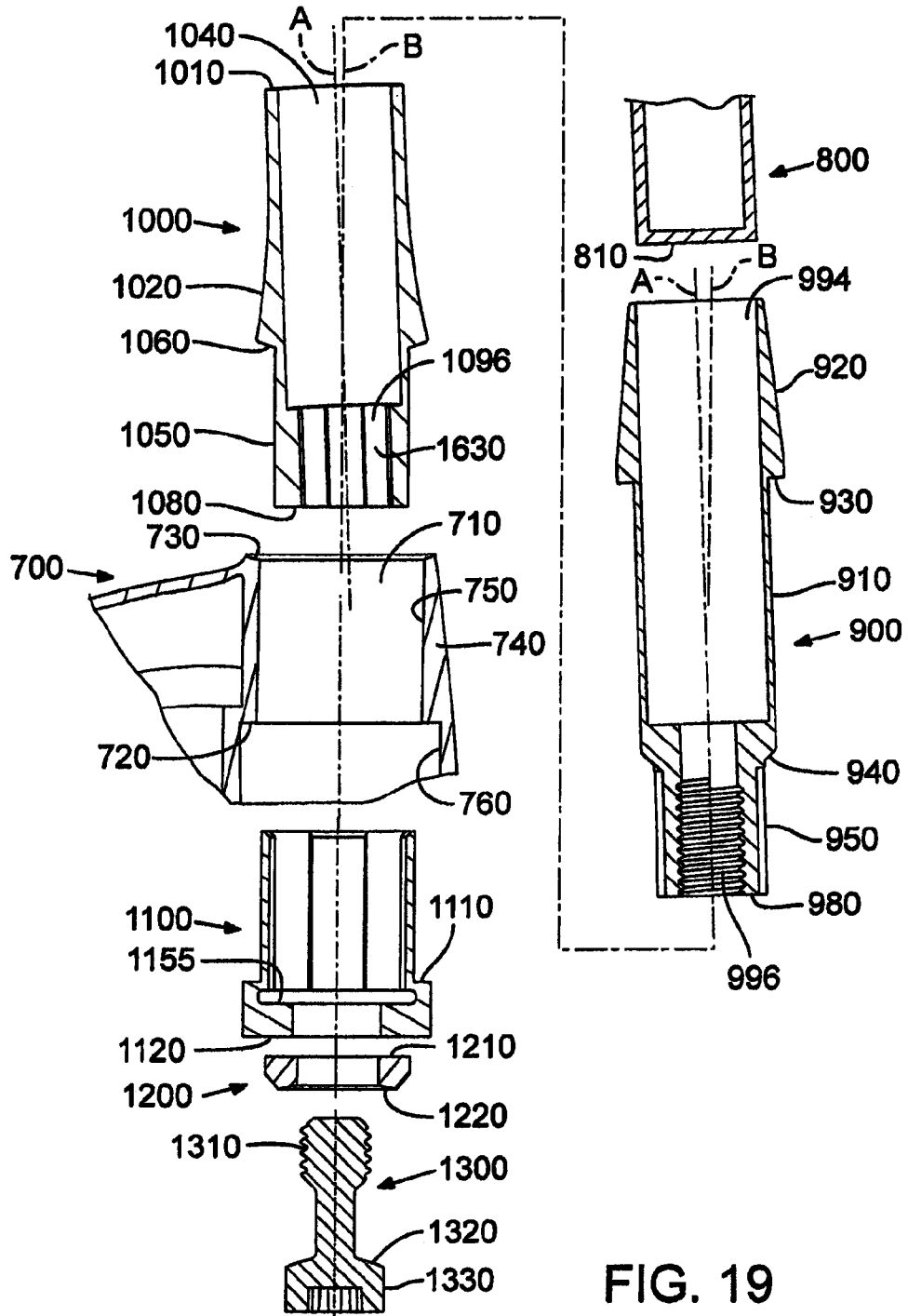


FIG. 19

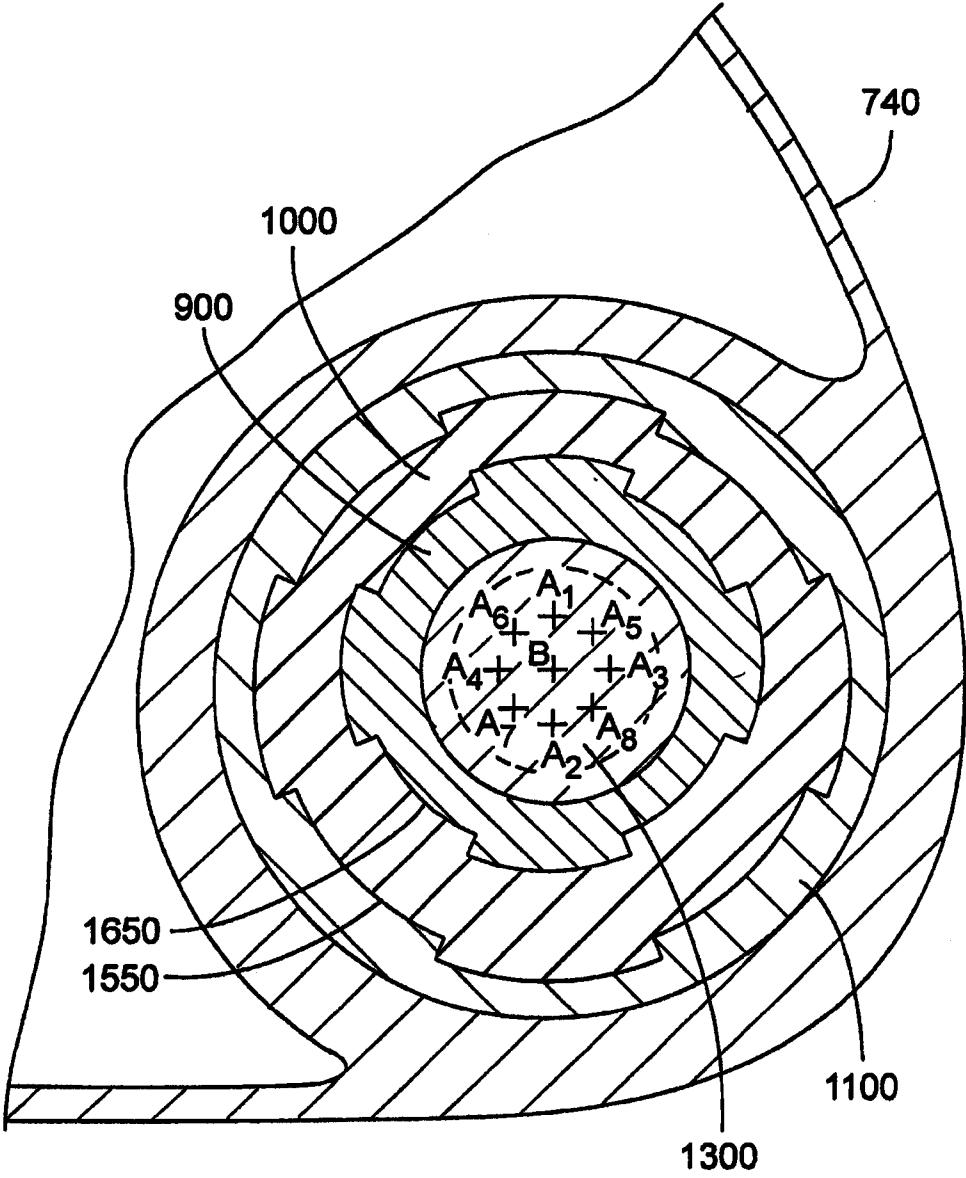


FIG. 20

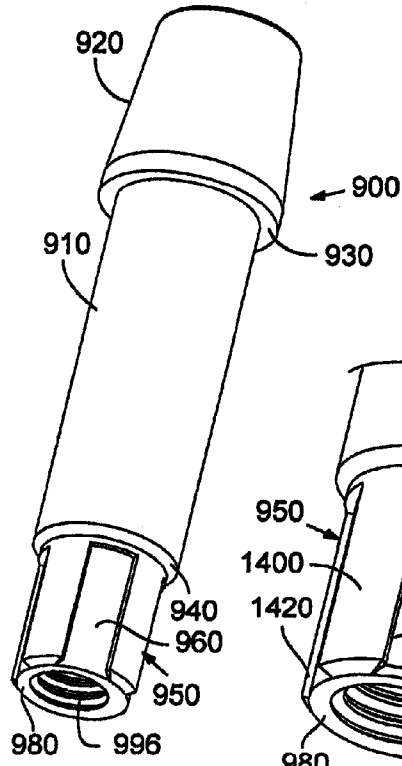


FIG. 21

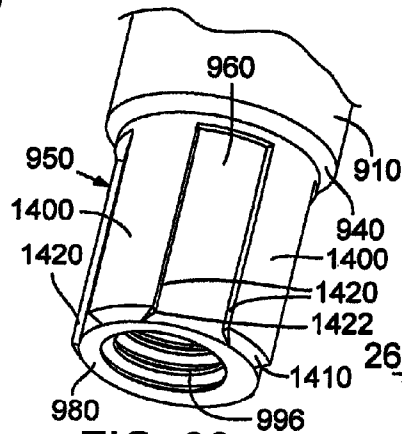


FIG. 22

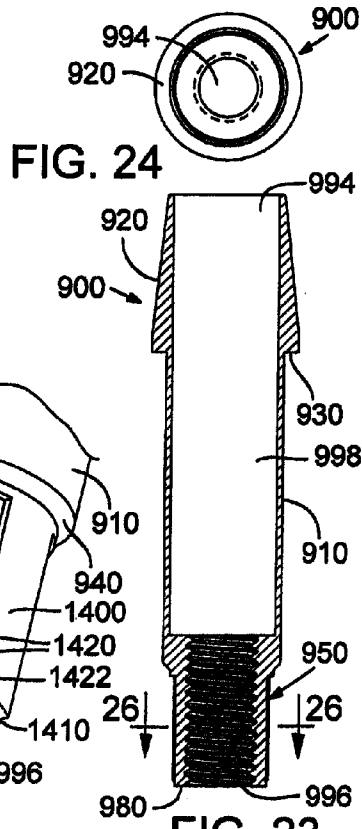


FIG. 23

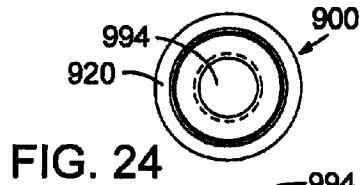


FIG. 24

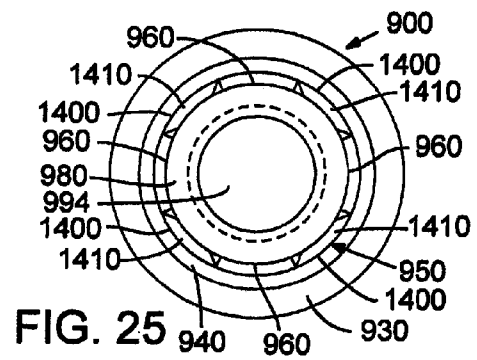


FIG. 25

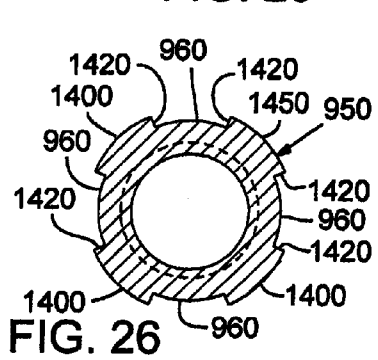
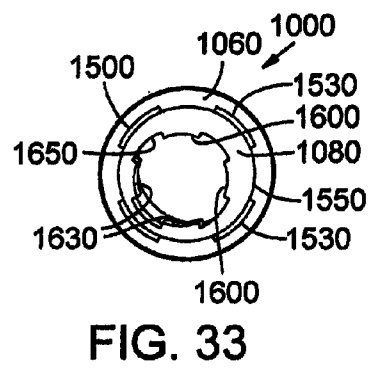
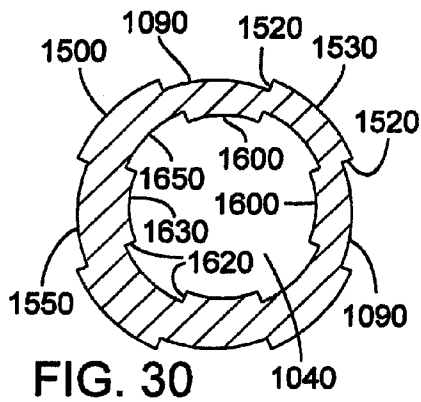
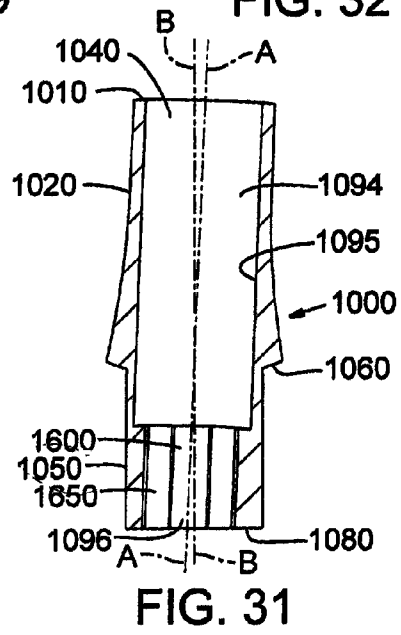
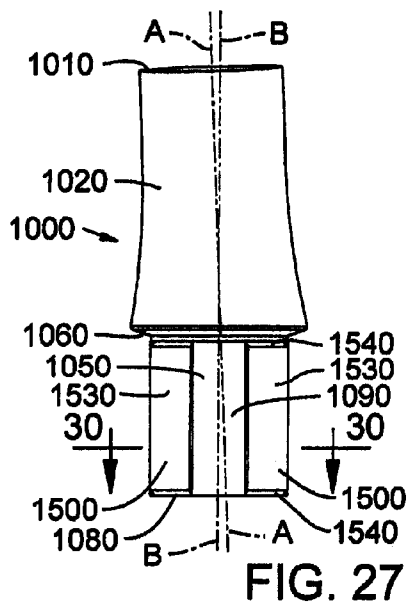
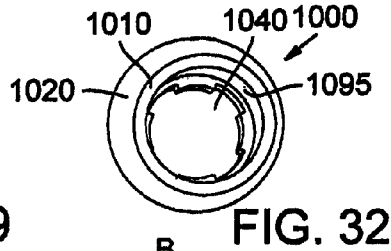
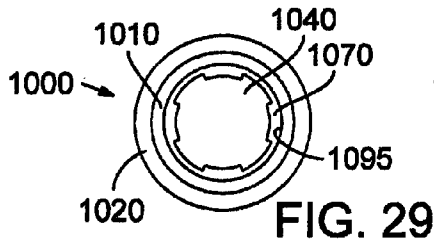


FIG. 26



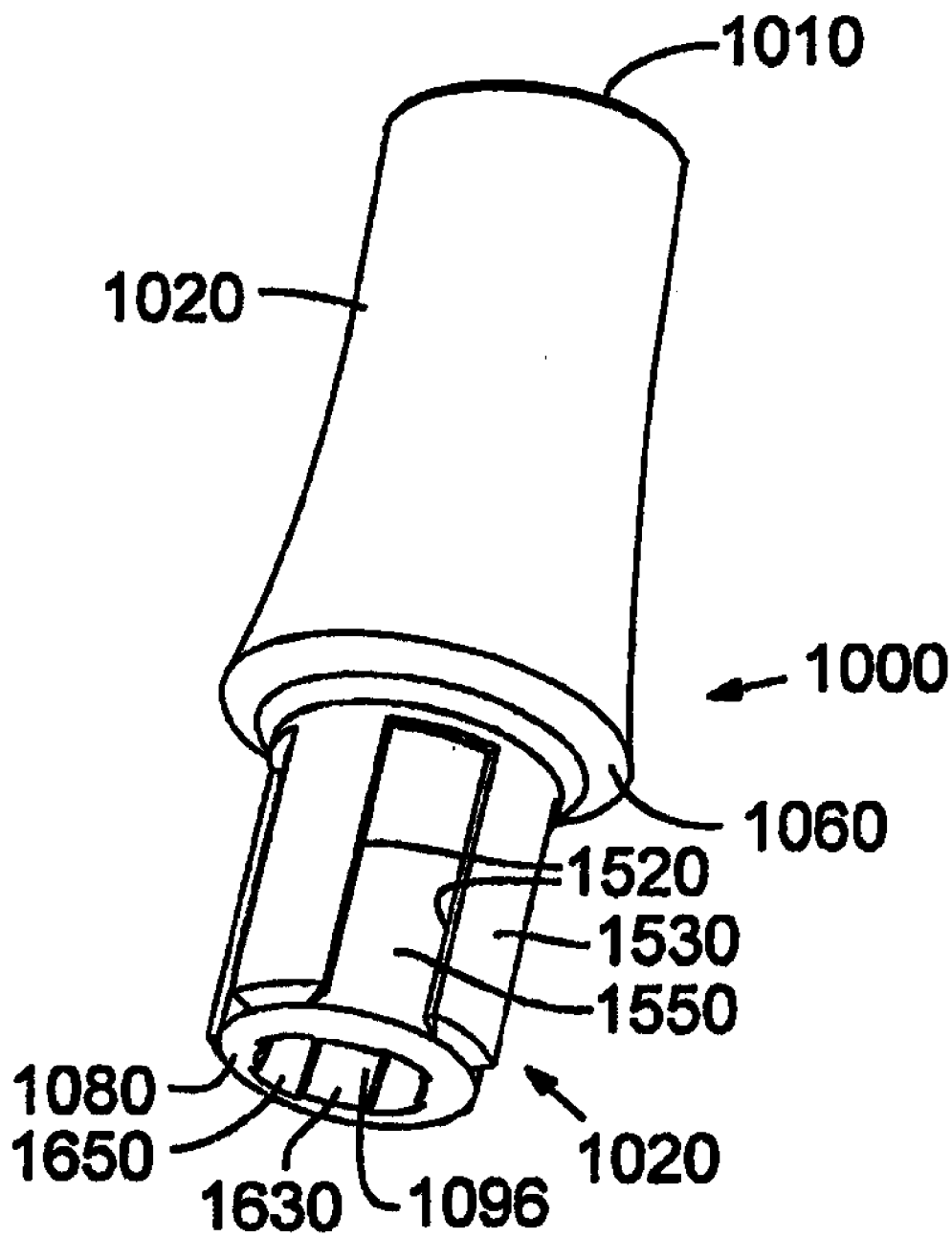


FIG. 28

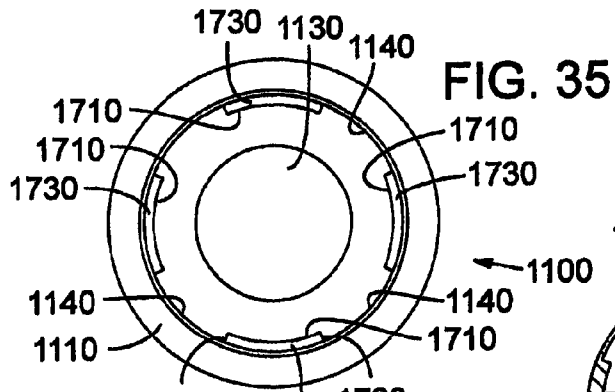


FIG. 35

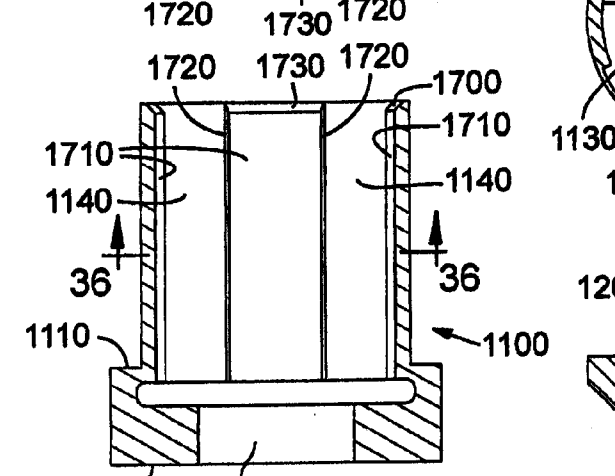


FIG. 34

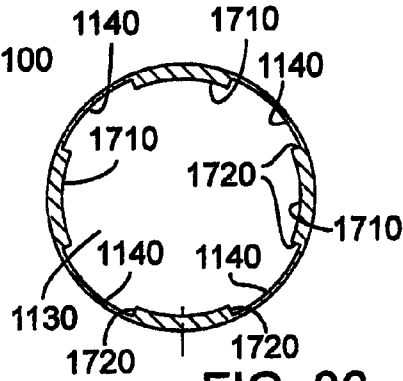


FIG. 36

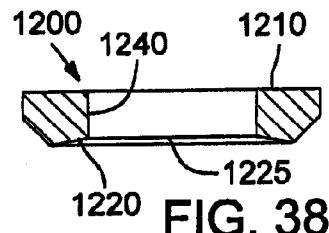


FIG. 38

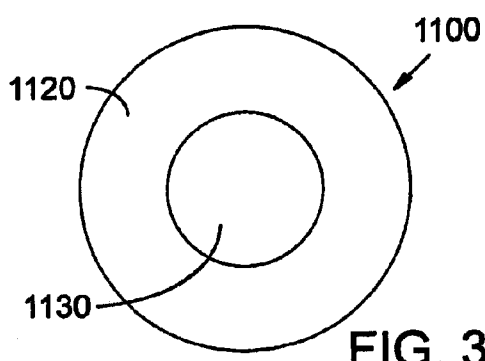


FIG. 37

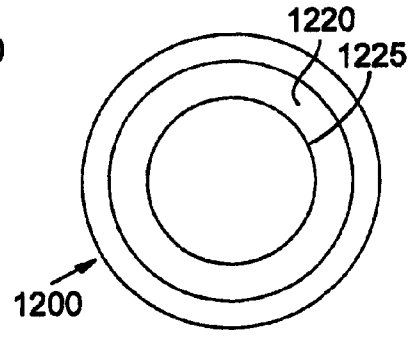


FIG. 39

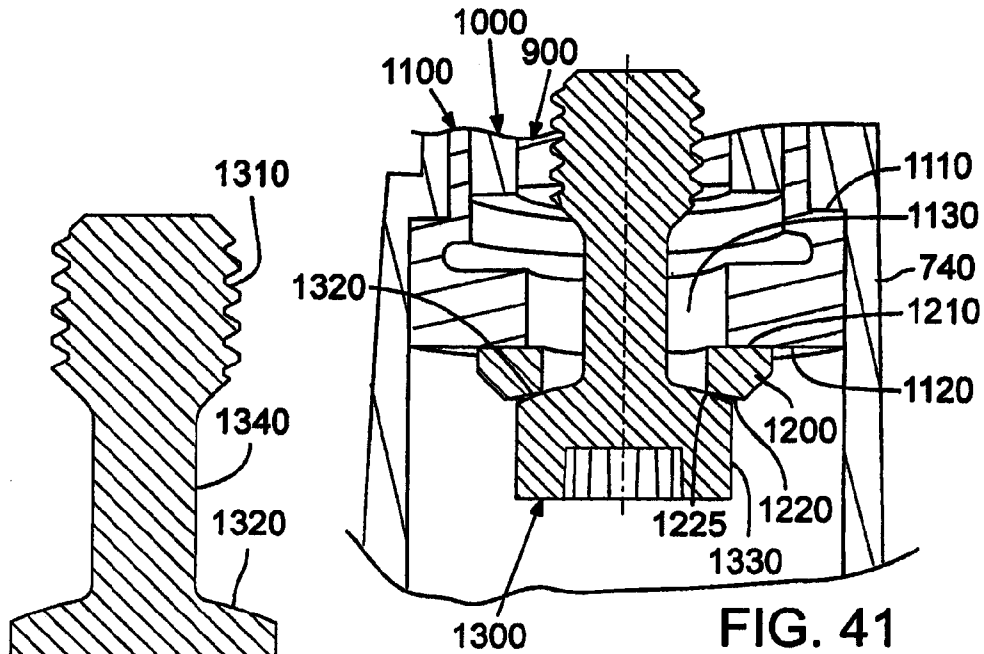


FIG. 40

FIG. 41

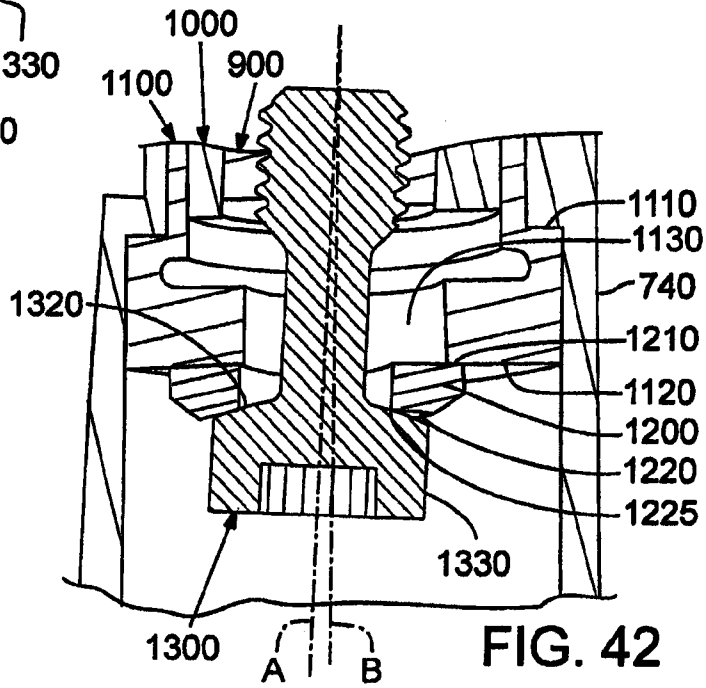
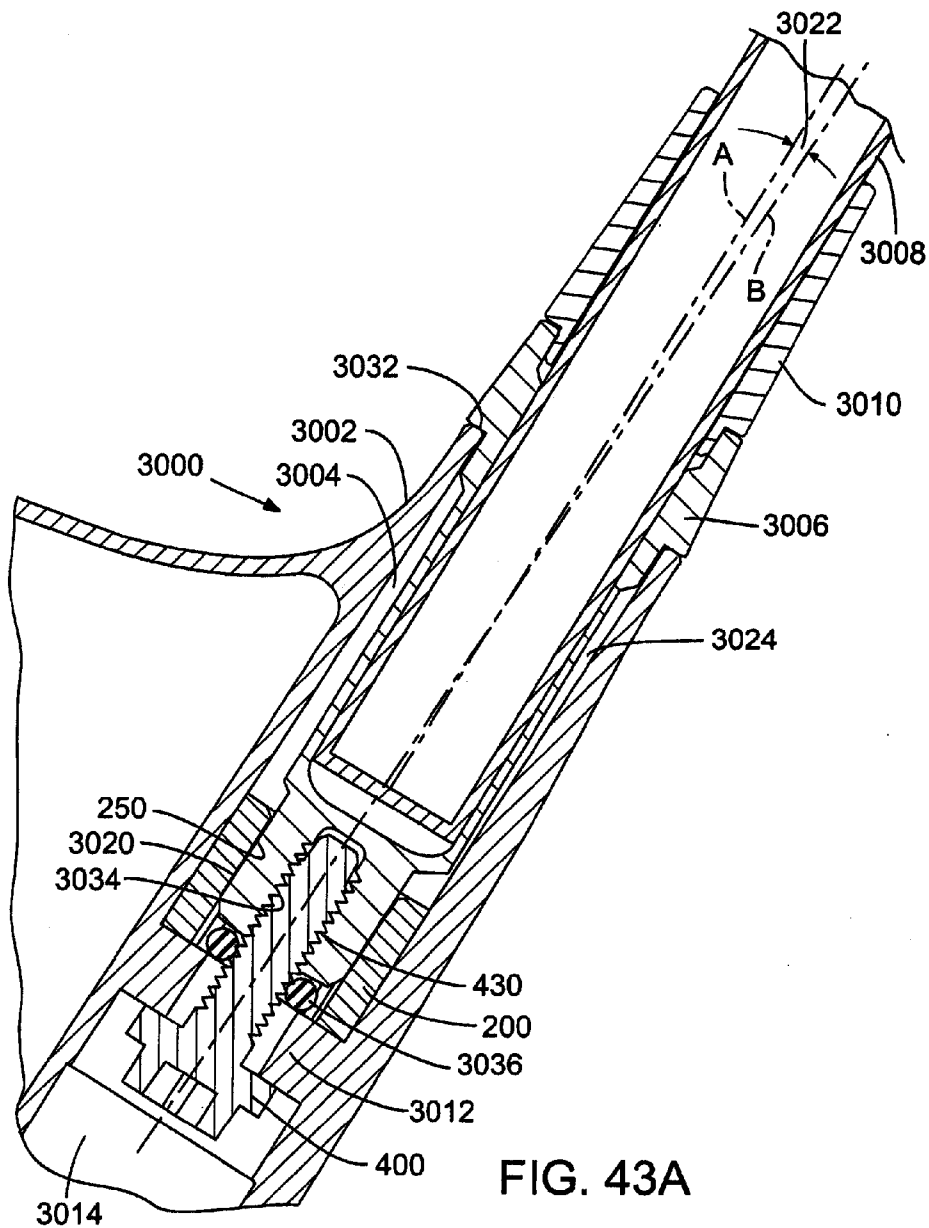


FIG. 42



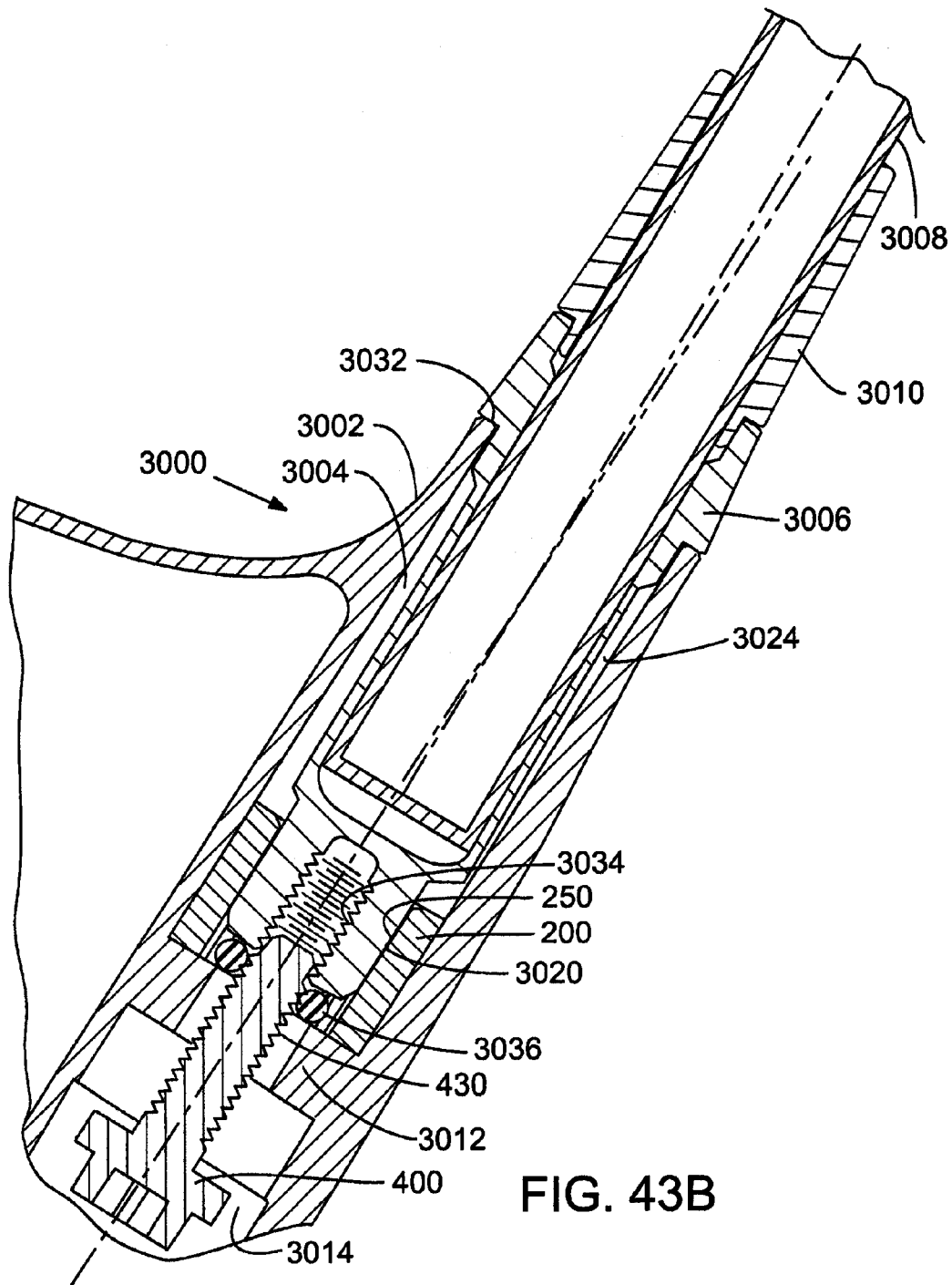


FIG. 43B

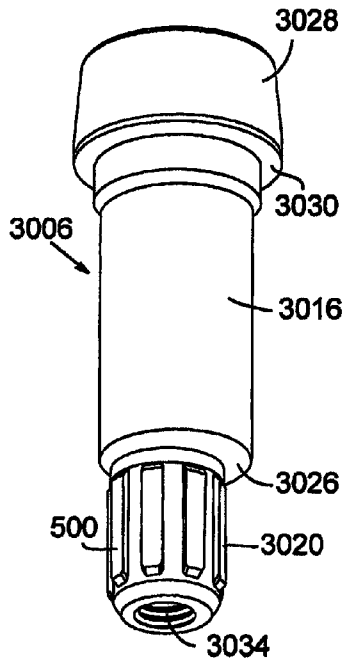


FIG. 44

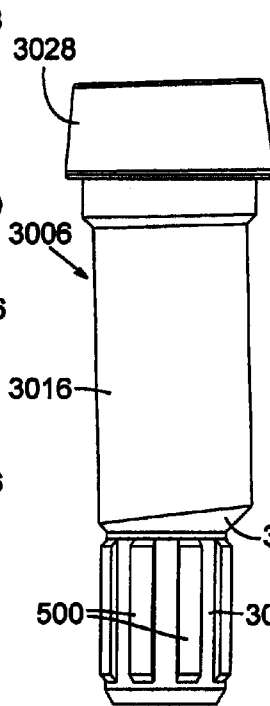


FIG. 45

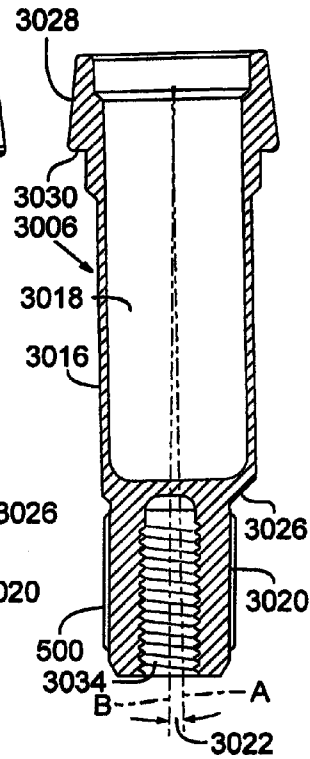


FIG. 47

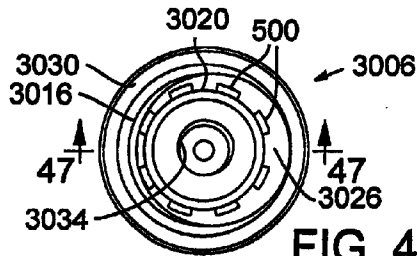


FIG. 46

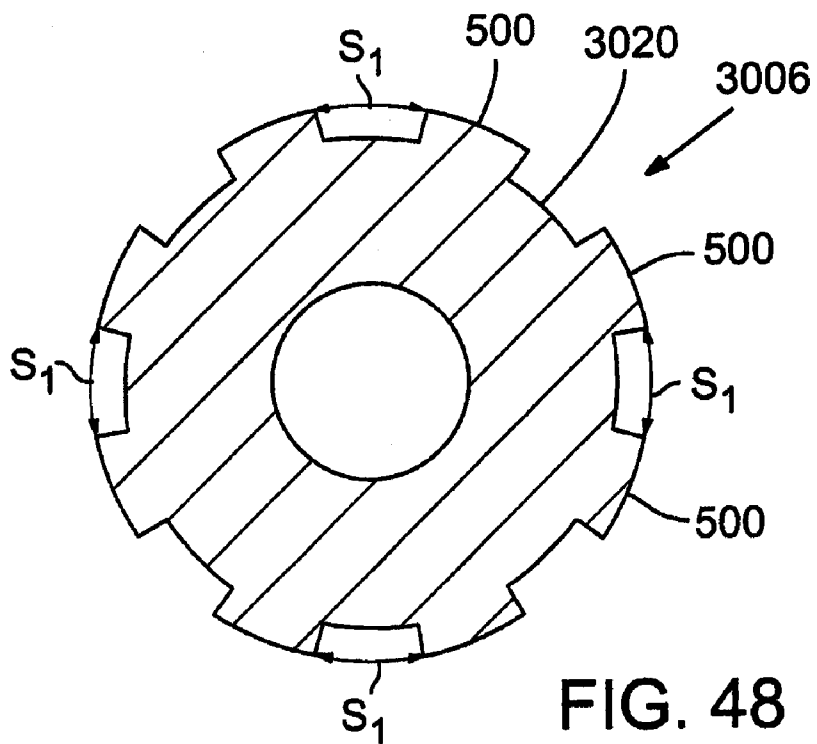


FIG. 48

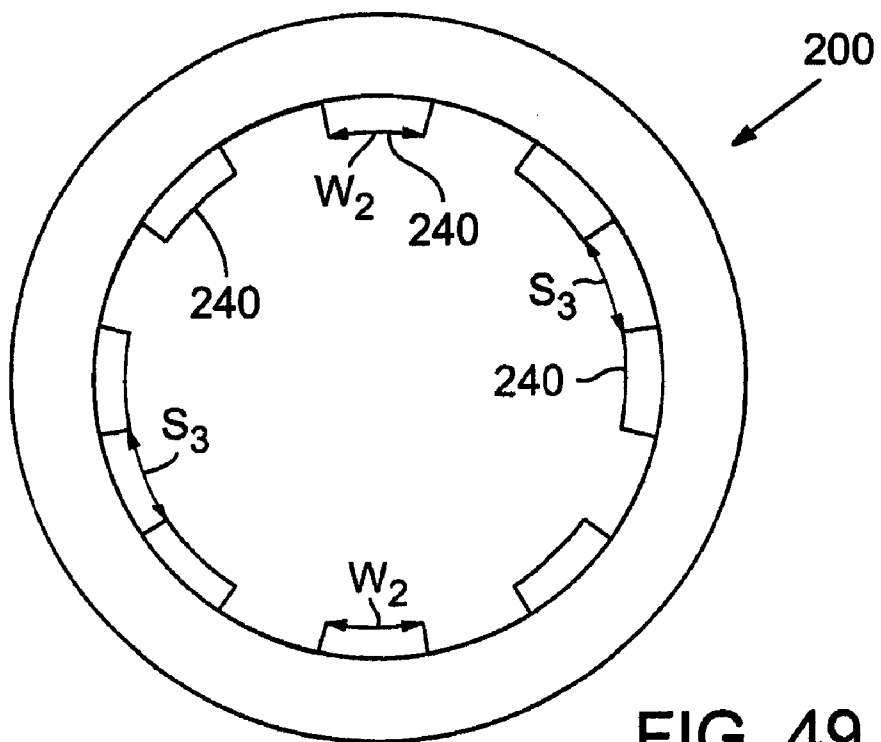
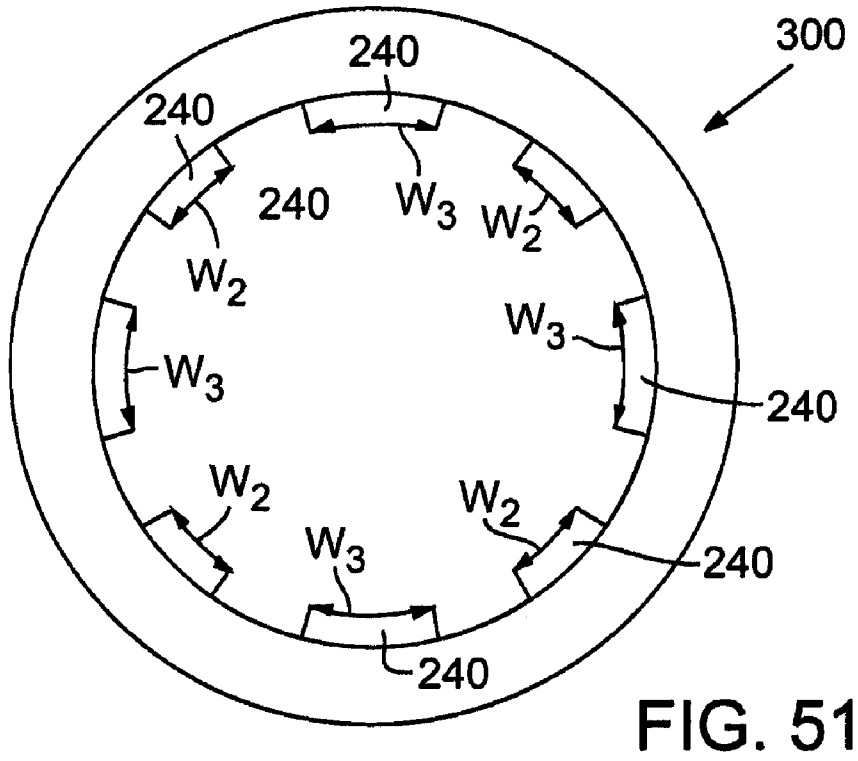
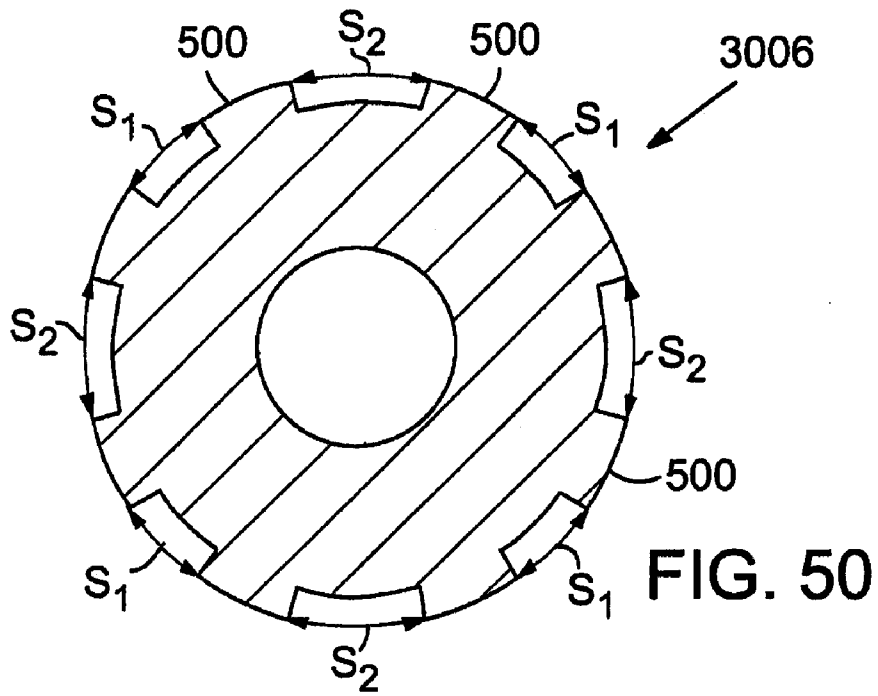
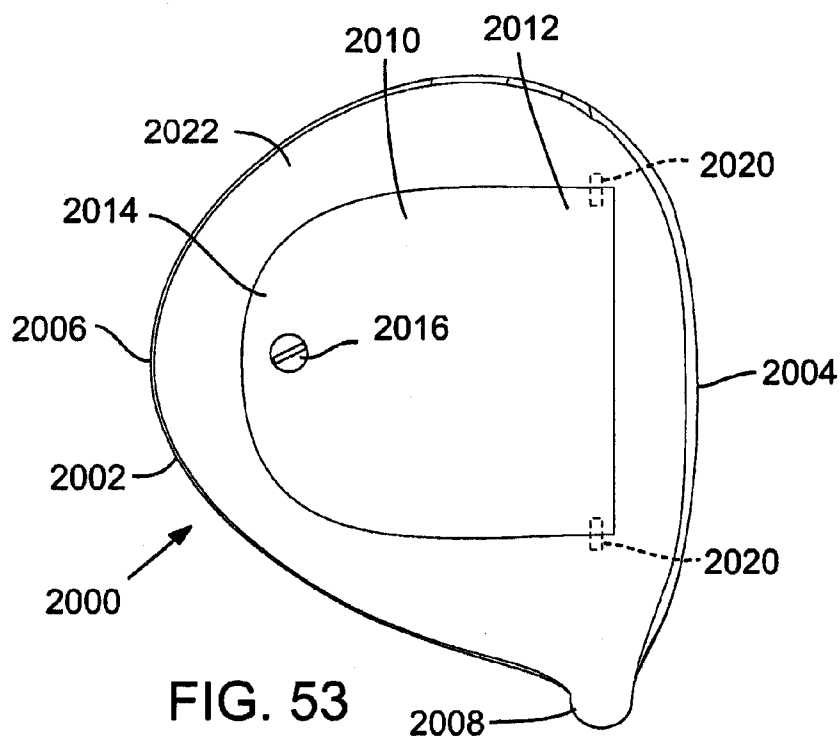
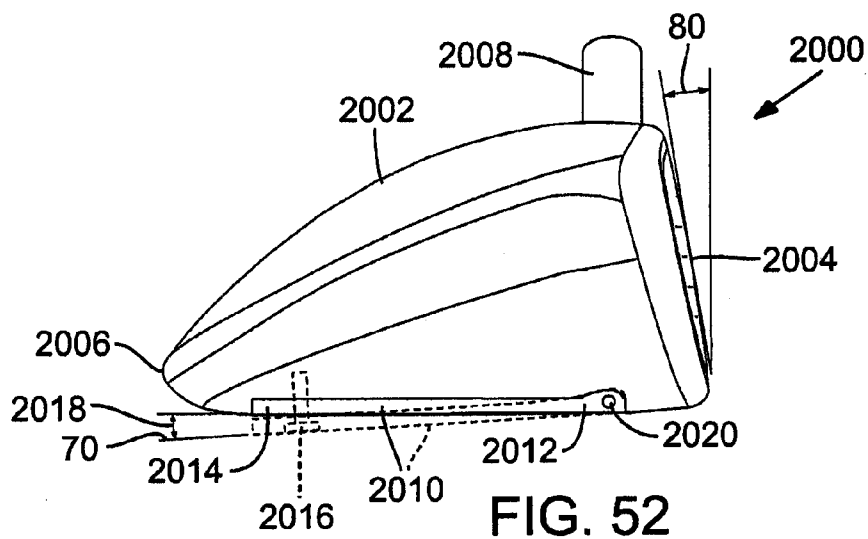


FIG. 49





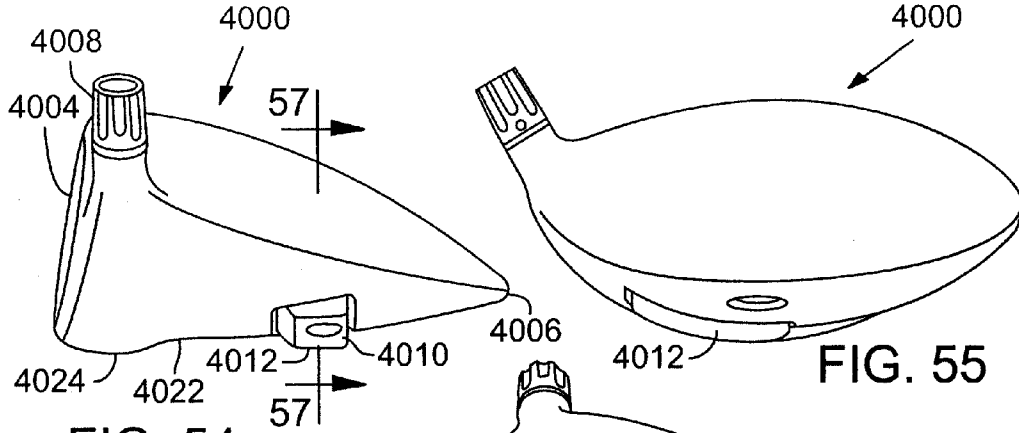


FIG. 54

FIG. 55

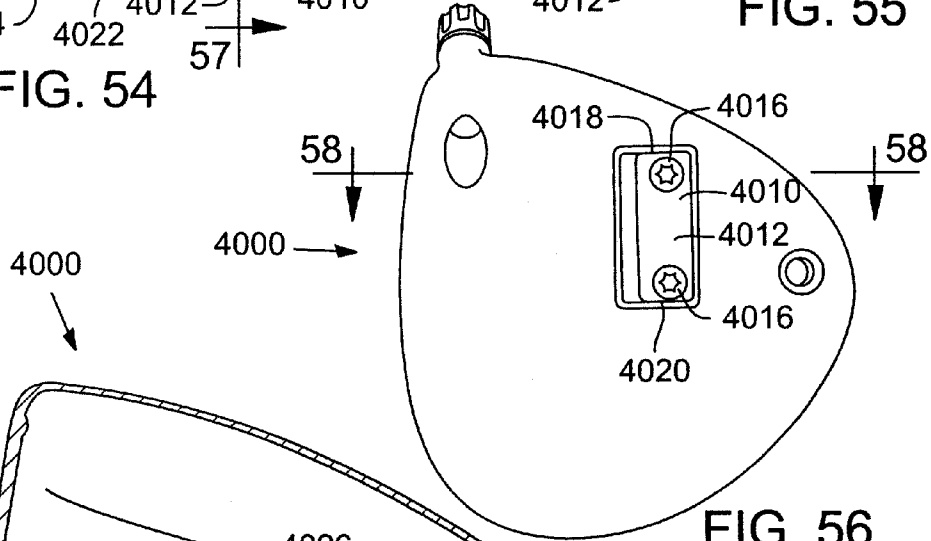


FIG. 56

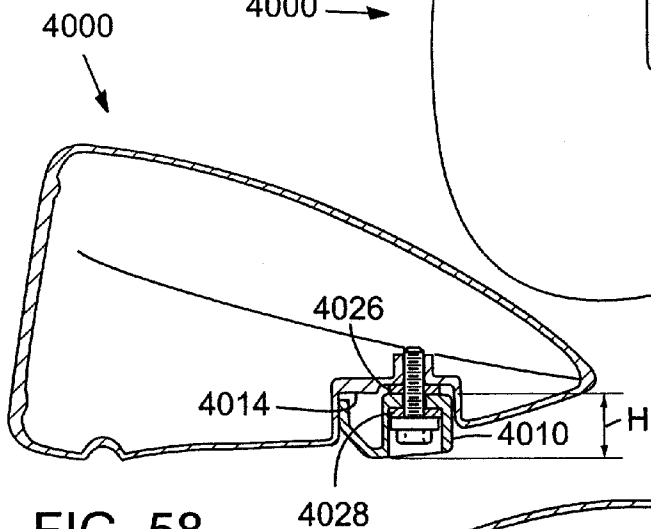


FIG. 58

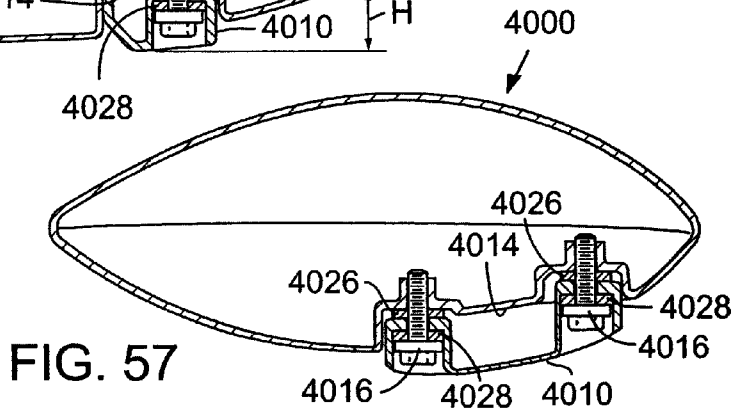
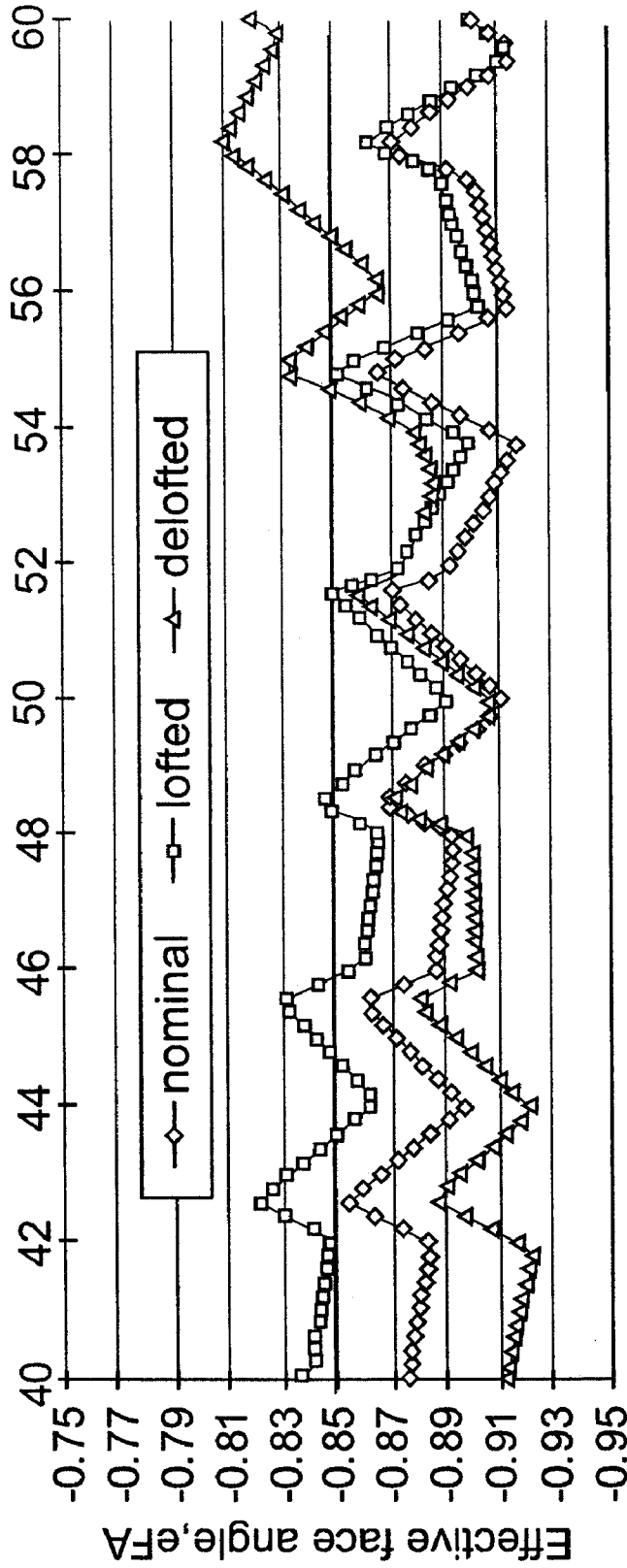


FIG. 57



Lie

FIG. 59

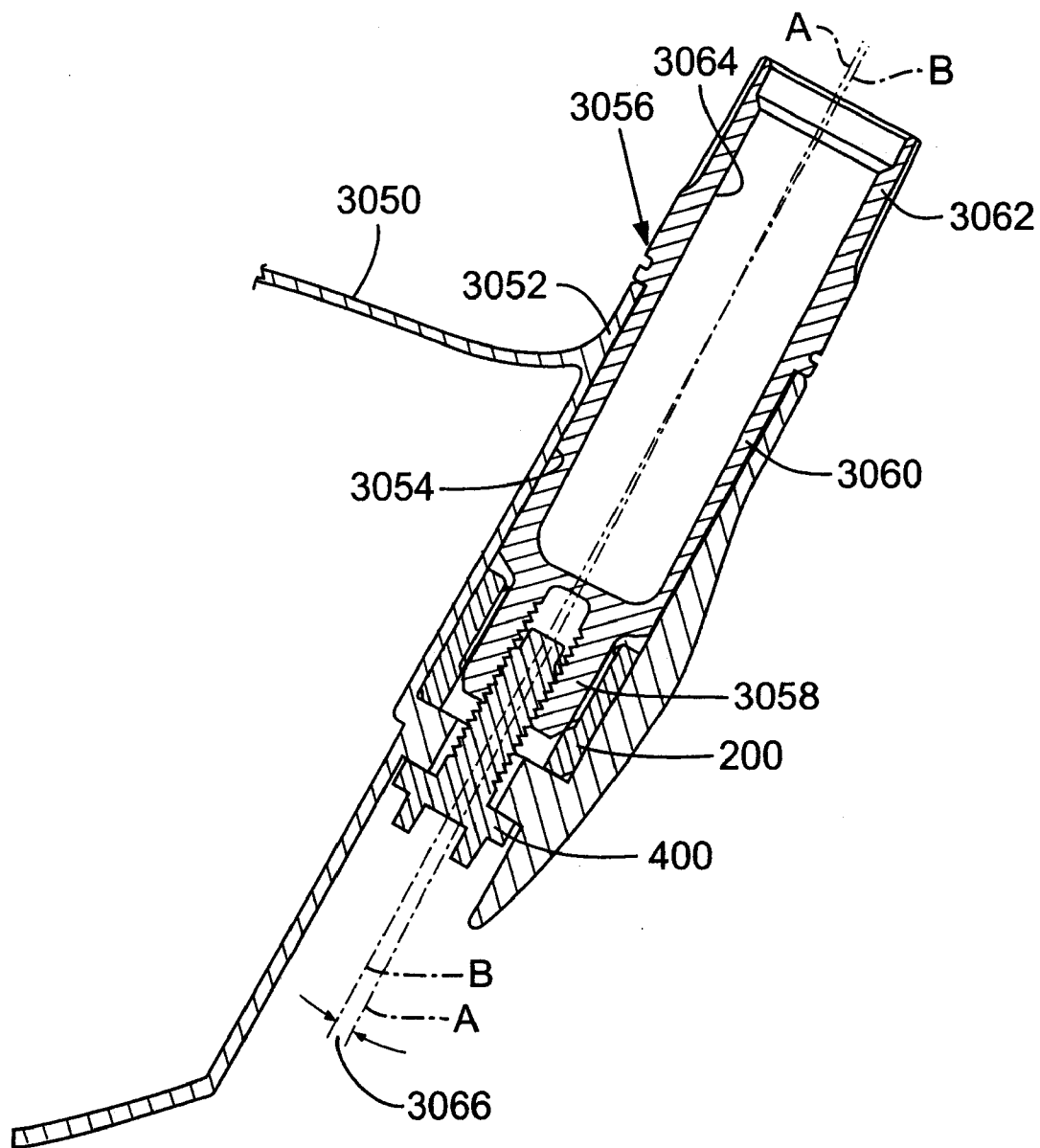
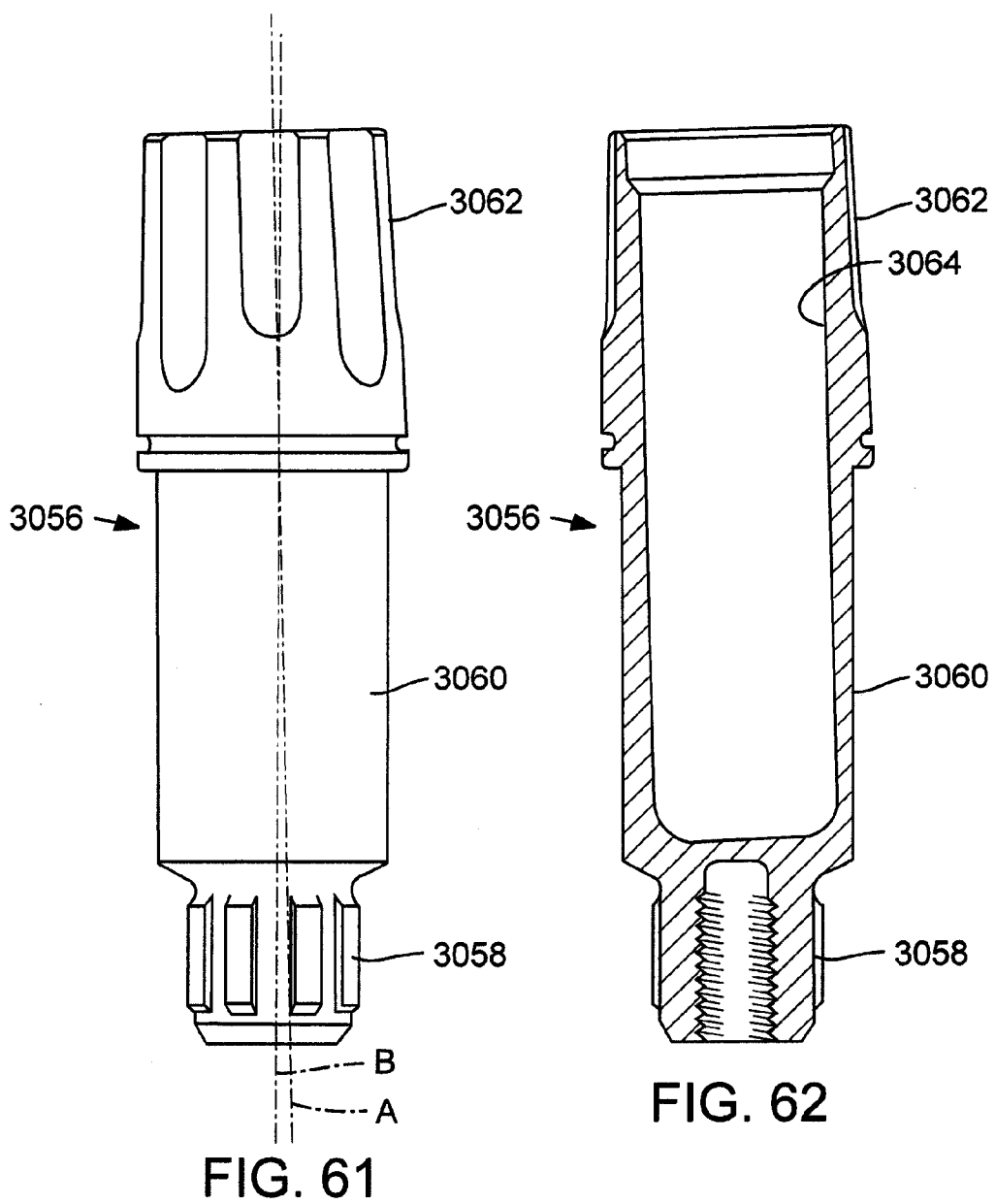


FIG. 60



GOLF CLUB

CROSS-REFERENCE TO RELATED APPLICATION

[0001] This application claims the benefit of U.S. Provisional Application No. 61/054,085, filed May 16, 2008, which is incorporated herein by reference.

FIELD

[0002] The present application is directed to embodiments of a golf club, particularly a golf club head that is removably attachable to a golf club shaft.

BACKGROUND

[0003] For a given type of golf club (e.g., driver, iron, putter, wedge), the golfing consumer has a wide variety of variations to choose from. This variety is driven, in part, by the wide range in physical characteristics and golfing skill among golfers and by the broad spectrum of playing conditions that a golfer may encounter. For example, taller golfers require clubs with longer shafts; more powerful golfers or golfers playing in windy conditions or on a course with firm fairways may desire clubs having less shaft flex (greater stiffness); and a golfer may desire a club with certain playing characteristics to overcome a tendency in their swing (e.g., a golfer who has a tendency to hit low-trajectory shots may want to purchase a club with a greater loft angle). Variations in shaft flex, loft angle and handedness (i.e., left or right) alone account for 24 variations of the TaylorMade r7 460 driver.

[0004] Having such a large number of variations available for a single golf club, golfing consumers can purchase clubs with club head-shaft combinations that suit their needs. However, shafts and club heads are generally manufactured separately, and once a shaft is attached to a club head, usually by an adhesive, replacing either the club head or shaft is not easily done by the consumer. Motivations for modifying a club include a change in a golfer's physical condition (e.g., a younger golfer has grown taller), an increase the golfer's skill or to adjust to playing conditions. Typically, these modifications must be made by a technician at a pro shop. The attendant cost and time spent without clubs may dissuade golfers from modifying their clubs as often as they would like, resulting in a less-than-optimal golfing experience. Thus, there has been effort to provide golf clubs that are capable of being assembled and disassembled by the golfing consumer.

[0005] To that end, golf clubs having club heads that are removably attached to a shaft by a mechanical fastener are known in the art. For example, U.S. Pat. No. 7,083,529 to Cackett et al. (hereinafter, "Cackett") discloses a golf club with interchangeable head-shaft connections. The connection includes a tube, a sleeve and a mechanical fastener. The sleeve is mounted on a tip end of the shaft. The shaft with the sleeve mounted thereon is then inserted in the tube, which is mounted in the club head. The mechanical fastener secures the sleeve to the tube to retain the shaft in connection with the club head. The sleeve has a lower section that includes a keyed portion which has a configuration that is complementary to the keyway defined by a rotation prevention portion of the tube. The keyway has a non-circular cross-section to prevent rotation of the sleeve relative to the tube. The keyway may have a plurality of splines, or a rectangular or hexagonal cross-section.

[0006] While removably attachable golf club heads of the type represented by Cackett provide golfers with the ability to disassemble a club head from a shaft, it is necessary that they also provide club head-shaft interconnections that have the integrity and rigidity of conventional club head-shaft interconnection. For example, the manner in which rotational movement between the constituent components of a club head-shaft interconnection is restricted must have sufficient load-bearing areas and resistance to stripping. Consequently, there is room for improvement in the art.

SUMMARY

[0007] In a representative embodiment, a golf club shaft assembly for attaching to a club head comprises a shaft having a lower end portion and a sleeve mounted on the lower end portion of the shaft. The sleeve can be configured to be inserted into a hosel opening of the club head. The sleeve has an upper portion defining an upper opening that receives the lower end portion of the shaft and a lower portion having eight, longitudinally extending, angularly spaced external splines located below the shaft and adapted to mate with complimentary splines in the hosel opening. The lower portion defines a longitudinally extending, internally threaded opening adapted to receive a screw for securing the shaft assembly to the club head when the sleeve is inserted in the hosel opening.

[0008] In another representative embodiment, a method of assembling a golf club shaft and a golf club head is provided. The method comprises mounting a sleeve onto a tip end portion of the shaft, the sleeve having a lower portion having eight external splines protruding from an external surface and located below a lower end of the shaft, the external splines having a configuration complementary to internal splines located in a hosel opening in the club head. The method further comprises inserting the sleeve into the hosel opening so that the external splines of the sleeve lower portion engage the internal splines of the hosel opening, and inserting a screw through an opening in the sole of the club head and into a threaded opening in the sleeve and tightening the screw to secure the shaft to the club head.

[0009] In another representative embodiment, a removable shaft assembly for a golf club having a hosel defining a hosel opening comprises a shaft having a lower end portion. A sleeve can be mounted on the lower end portion of the shaft and can be configured to be inserted into the hosel opening of the club head. The sleeve has an upper portion defining an upper opening that receives the lower end portion of the shaft and a lower portion having a plurality of longitudinally extending, angularly spaced external splines located below the shaft and adapted to mate with complimentary splines in the hosel opening. The lower portion defines a longitudinally extending, internally threaded opening adapted to receive a screw for securing the shaft assembly to the club head when the sleeve is inserted in the hosel opening. The upper portion of the sleeve has an upper thrust surface that is adapted to engage the hosel of the club head when the sleeve is inserted into the hosel opening, and the sleeve and the shaft have a combined axial stiffness from the upper thrust surface to a lower end of the sleeve of less than about 1.87×10^8 N/m.

[0010] In another representative embodiment, a golf club assembly comprises a club head having a hosel defining an opening having a non-circular inner surface, the hosel defining a longitudinal axis. A removable adapter sleeve is configured to be received in the hosel opening, the sleeve having a

non-circular outer surface adapted to mate with the non-circular inner surface of the hosel to restrict relative rotation between the adapter sleeve and the hosel. The adapter sleeve has a longitudinally extending opening and a non-circular inner surface in the opening, the adapter sleeve also having a longitudinal axis that is angled relative to the longitudinal axis of the hosel at a predetermined, non-zero angle. The golf club assembly also comprises a shaft having a lower end portion and a shaft sleeve mounted on the lower end portion of the shaft and adapted to be received in the opening of the adapter sleeve. The shaft sleeve has a non-circular outer surface adapted to mate with the non-circular inner surface of the adapter sleeve to restrict relative rotation between the shaft sleeve and the adapter sleeve. The shaft sleeve defines a longitudinal axis that is aligned with the longitudinal axis of the adapter sleeve such that the shaft sleeve and the shaft are supported at the predetermined angle relative to the longitudinal axis of the hosel.

[0011] In another representative embodiment, a golf club assembly comprises a club head having a hosel defining an opening housing a rotation prevention portion, the hosel defining a longitudinal axis. The assembly also comprises a plurality of removable adapter sleeves each configured to be received in the hosel opening, each sleeve having a first rotation prevention portion adapted to mate with the rotation prevention portion of the hosel to restrict relative rotation between the adapter sleeve and the hosel. Each adapter sleeve has a longitudinally extending opening and a second rotation prevention portion in the opening, wherein each adapter sleeve has a longitudinal axis that is angled relative to the longitudinal axis of the hosel at a different predetermined angle. The assembly further comprises a shaft having a lower end portion and a shaft sleeve mounted on the lower end portion of the shaft and adapted to be received in the opening of each adapter sleeve. The shaft sleeve has a respective rotation prevention portion adapted to mate with the second rotation prevention portion of each adapter sleeve to restrict relative rotation between the shaft sleeve and the adapter sleeve in which the shaft sleeve is inserted. The shaft sleeve defines a longitudinal axis and is adapted to be received in each adapter sleeve such that the longitudinal axis of the shaft sleeve becomes aligned with the longitudinal axis of the adapter sleeve in which it is inserted.

[0012] In another representative embodiment, a method of assembling a golf shaft and golf club head having a hosel opening defining a longitudinal axis is provided. The method comprises selecting an adapter sleeve from among a plurality of adapter sleeves, each having an opening adapted to receive a shaft sleeve mounted on the lower end portion of the shaft, wherein each adapter sleeve is configured to support the shaft at a different predetermined orientation relative to the longitudinal axis of the hosel opening. The method further comprises inserting the shaft sleeve into the selected adapter sleeve, inserting the selected adapter sleeve into the hosel opening of the club head, and securing the shaft sleeve, and therefore the shaft, to the club head with the selected adapter sleeve disposed on the shaft sleeve.

[0013] In yet another representative embodiment, a golf club head comprises a body having a striking face defining a forward end of the club head, the body also having a rear end opposite the forward end. The body also comprises an adjustable sole portion having a rear end and a forward end pivotably connected to the body at a pivot axis, the sole portion

being pivotable about the pivot axis to adjust the position of the sole portion relative to the body.

[0014] In still another representative embodiment, a golf club assembly comprises a golf club head comprising a body having a striking face defining a forward end of the club head. The body also has a rear end opposite the forward end, and a hosel having a hosel opening. The body further comprises an adjustable sole portion having a rear end and a forward end pivotably connected to the body at a pivot axis. The sole portion is pivotable about the pivot axis to adjust the position of the sole portion relative to the body. The assembly further comprises a removable shaft and a removable sleeve adapted to be received in the hosel opening and having a respective opening adapted to receive a lower end portion of the shaft and support the shaft relative to the club head at a desired orientation. A mechanical fastener is adapted to releasably secure the shaft and the sleeve to the club head.

[0015] In another representative embodiment, a method of adjusting playing characteristics of a golf club comprises adjusting the square loft of the club by adjusting the orientation of a shaft of the club relative to a club head of the club, and adjusting the face angle of the club by adjusting the position of a sole of the club head relative to the club head body.

[0016] The foregoing and other features and advantages of the invention will become more apparent from the following detailed description, which proceeds with reference to the accompanying figures.

BRIEF DESCRIPTION OF THE DRAWINGS

[0017] FIG. 1A is a front elevational view of a golf club head in accordance with one embodiment.

[0018] FIG. 1B is a side elevational view of the golf club head of FIG. 1A.

[0019] FIG. 1C is a top plan view of the golf club head of FIG. 1A.

[0020] FIG. 1D is a side elevational view of the golf club head of FIG. 1A.

[0021] FIG. 2 is a cross-sectional view of a golf club head having a removable shaft, in accordance with one embodiment.

[0022] FIG. 3 is an exploded cross-sectional view of the shaft-club head connection assembly of FIG. 2.

[0023] FIG. 4 is a cross-sectional view of the golf club head of FIG. 2, taken along the line 4-4 of FIG. 2.

[0024] FIG. 5 is a perspective view of the shaft sleeve of the connection assembly shown in FIG. 2.

[0025] FIG. 6 is an enlarged perspective view of the lower portion of the sleeve of FIG. 5.

[0026] FIG. 7 is a cross-sectional view of the sleeve of FIG. 5.

[0027] FIG. 8 is a top plan view of the sleeve of FIG. 5.

[0028] FIG. 9 is a bottom plan view of the sleeve of FIG. 5.

[0029] FIG. 10 is a cross-sectional view of the sleeve, taken along the line 10-10 of FIG. 7.

[0030] FIG. 11 is a perspective view of the hosel insert of the connection assembly shown in FIG. 2.

[0031] FIG. 12 is a cross-sectional view of the hosel insert of FIG. 2.

[0032] FIG. 13 is a top plan view of the hosel insert of FIG. 11.

[0033] FIG. 14 is a cross-sectional view of the hosel insert of FIG. 2, taken along the line 14-14 of FIG. 12.

[0034] FIG. 15 is a bottom plan view of the screw of the connection assembly shown in FIG. 2.

[0035] FIG. 16 is a cross-sectional view similar to FIG. 2 identifying lengths used in calculating the stiffness of components of the shaft-head connection assembly.

[0036] FIG. 17 is a cross-sectional view of a golf club head having a removable shaft, according to another embodiment.

[0037] FIG. 18 is an enlarged cross-sectional view of a golf club head having a removable shaft, in accordance with another embodiment.

[0038] FIG. 19 is an exploded cross-sectional view of the shaft-club head connection assembly of FIG. 18.

[0039] FIG. 20 is an enlarged cross-sectional view of the golf club head of FIG. 18, taken along the line 20-20 of FIG. 18.

[0040] FIG. 21 is a perspective view of the shaft sleeve of the connection assembly shown in FIG. 18.

[0041] FIG. 22 is an enlarged perspective view of the lower portion of the shaft sleeve of FIG. 21.

[0042] FIG. 23 is a cross-sectional view of the shaft sleeve of FIG. 21.

[0043] FIG. 24 is a top plan view of the shaft sleeve of FIG. 21.

[0044] FIG. 25 is a bottom plan view of the shaft sleeve of FIG. 21.

[0045] FIG. 26 is a cross-sectional view of the shaft sleeve, taken along line 26-26 of FIG. 23.

[0046] FIG. 27 is a side elevational view of the hosel sleeve of the connection assembly shown in FIG. 18.

[0047] FIG. 28 is a perspective view of the hosel sleeve of FIG. 27.

[0048] FIG. 29 is a top plan view of the hosel sleeve of FIG. 27, as viewed along longitudinal axis B defined by the outer surface of the lower portion of the hosel sleeve.

[0049] FIG. 30 is a cross-sectional view of the hosel sleeve, taken along line 30-30 of FIG. 27.

[0050] FIG. 31 is a cross-sectional view of the hosel sleeve of FIG. 27.

[0051] FIG. 32 is a top plan view of the hosel sleeve of FIG. 27.

[0052] FIG. 33 is a bottom plan view of the hosel sleeve of FIG. 27.

[0053] FIG. 34 is a cross-sectional view of the hosel insert of the connection usually shown in FIG. 18.

[0054] FIG. 35 is a top plan view of the hosel insert of FIG. 34.

[0055] FIG. 36 is a cross-sectional view of the hosel insert, taken along line 36-36 of FIG. 34.

[0056] FIG. 37 is a bottom plan view of the hosel insert of FIG. 34.

[0057] FIG. 38 is a cross-sectional view of the washer of the connection assembly shown in FIG. 18.

[0058] FIG. 39 is a bottom plan view of the washer of FIG. 38.

[0059] FIG. 40 is a cross-sectional view of the screw of FIG. 18.

[0060] FIG. 41 is a cross-sectional view depicting the screw-washer interface of a connection assembly where the hosel sleeve longitudinal axis is aligned with the longitudinal axis of the hosel opening.

[0061] FIG. 42 is a cross-sectional view depicting a screw-washer interface of a connection assembly where the hosel sleeve longitudinal axis is offset from the longitudinal axis of the hosel opening.

[0062] FIG. 43A is an enlarged cross-sectional view of a golf club head having a removable shaft, in accordance with another embodiment.

[0063] FIG. 43B shows the golf club head of FIG. 43A with the screw loosened to permit removal of the shaft from the club head.

[0064] FIG. 44 is a perspective view of the shaft sleeve of the assembly shown in FIG. 43.

[0065] FIG. 45 is a side elevation view of the shaft sleeve of FIG. 44.

[0066] FIG. 46 is a bottom plan view of the shaft sleeve of FIG. 44.

[0067] FIG. 47 is a cross-sectional view of the shaft sleeve taken along line 47-47 of FIG. 46.

[0068] FIG. 48 is a cross-sectional view of another embodiment of a shaft sleeve and FIG. 49 is a top plan view of a hosel insert that is adapted to receive the shaft sleeve.

[0069] FIG. 50 is a cross-sectional view of another embodiment of a shaft sleeve and FIG. 51 is a top plan view of a hosel insert that is adapted to receive the shaft sleeve.

[0070] FIG. 52 is a side elevational view of a golf club head having an adjustable sole plate, in accordance with one embodiment.

[0071] FIG. 53 is a bottom plan view of the golf club head of FIG. 48.

[0072] FIG. 54 is a side elevation view of a golf club head having an adjustable sole portion, according to another embodiment.

[0073] FIG. 55 is a rear elevation view of the golf club head of FIG. 54.

[0074] FIG. 56 is a bottom plan view of the golf club head of FIG. 54.

[0075] FIG. 57 is a cross-sectional view of the golf club head taken along line 57-57 of FIG. 54.

[0076] FIG. 58 is a cross-sectional view of the golf club head taken along line 58-58 of FIG. 56.

[0077] FIG. 59 is a graph showing the effective face angle through a range of lie angles for a shaft positioned at a nominal position, a lofted position and a delofted position.

[0078] FIG. 60 is an enlarged cross-sectional view of a golf club head having a removable shaft, in accordance with another embodiment.

[0079] FIGS. 61 and 62 are front elevation and cross-sectional views, respectively, of the shaft sleeve of the assembly shown in FIG. 60.

DETAILED DESCRIPTION

[0080] As used herein, the singular forms “a,” “an,” and “the” refer to one or more than one, unless the context clearly dictates otherwise.

[0081] As used herein, the term “includes” means “comprises.” For example, a device that includes or comprises A and B contains A and B but may optionally contain C or other components other than A and B. A device that includes or comprises A or B may contain A or B or A and B, and optionally one or more other components such as C.

[0082] Referring first to FIGS. 1A-1D, there is shown characteristic angles of golf clubs by way of reference to a golf club head 300 having a removable shaft 50, according to one embodiment. The club head 300 comprises a centerface, or striking face, 310, scorelines 320, a hosel 330 having a hosel opening 340, and a sole 350. The hosel 330 has a hosel longitudinal axis 60 and the shaft 50 has a shaft longitudinal axis. In the illustrated embodiment, the ideal impact location

312 of the golf club head **300** is disposed at the geometric center of the striking surface **310** (see FIG. 1A). The ideal impact location **312** is typically defined as the intersection of the midpoints of a height (H_{ss}) and width (W_{ss}) of the striking surface **310**.

[0083] Both H_{ss} and W_{ss} are determined using the striking face curve (S_{ss}). The striking face curve is bounded on its periphery by all points where the face transitions from a substantially uniform bulge radius (face heel-to-toe radius of curvature) and a substantially uniform roll radius (face crown-to-sole radius of curvature) to the body (see e.g., FIG. 1). In the illustrated example, H_{ss} is the distance from the periphery proximate the sole portion of S_{ss} to the periphery proximate the crown portion of S_{ss} measured in a vertical plane (perpendicular to ground) that extends through the geometric center of the face. Similarly, W_{ss} is the distance from the periphery proximate the heel portion of S_{ss} to the periphery proximate the toe portion of S_{ss} measured in a horizontal plane (e.g., substantially parallel to ground) that extends through the geometric center of the face. See USGA "Procedure for Measuring the Flexibility of a Golf Clubhead," Revision 2.0 for the methodology to measure the geometric center of the striking face.

[0084] As shown in FIG. 1A, a lie angle **10** (also referred to as the "scoreline lie angle") is defined as the angle between the hosel longitudinal axis **60** and a playing surface **70** when the club is in the grounded address position. The grounded address position is defined as the resting position of the head on the playing surface when the shaft is supported at the grip (free to rotate about its axis) and the shaft is held at an angle to the ground such that the scorelines **320** are horizontal (if the club does not have scorelines, then the lie shall be set at 60-degrees). The centerface target line vector is defined as a horizontal vector which is perpendicular to the shaft when the club is in the address position and points outward from the centerface point. The target line plane is defined as a vertical plane which contains the centerface target line vector. The square face address position is defined as the head position when the sole is lifted off the ground, and the shaft is held (both positionally and rotationally) such that the scorelines are horizontal and the centerface normal vector completely lies in the target line plane (if the head has no scorelines, then the shaft shall be held at 60-degrees relative to ground and then the head rotated about the shaft axis until the centerface normal vector completely lies in the target line plane). The actual, or measured, lie angle can be defined as the angle **10** between the hosel longitudinal axis **60** and the playing surface **70**, whether or not the club is held in the grounded address position with the scorelines horizontal. Studies have shown that most golfers address the ball with actual lie angle that is 10 to 20 degrees less than the intended scoreline lie angle **10** of the club. The studies have also shown that for most golfers the actual lie angle at impact is between 0 and 10 degrees less than the intended scoreline lie angle **10** of the club.

[0085] As shown in FIG. 1B, a loft angle **20** of the club head (referred to as "square loft") is defined as the angle between the centerface normal vector and the ground plane when the head is in the square face address position. As shown in FIG. 1D, a hosel loft angle **72** is defined as the angle between the hosel longitudinal axis **60** projected onto the target line plane and a plane **74** that is tangent to the center of the centerface. The shaft loft angle is the angle between plane **74** and the longitudinal axis of the shaft **50** projected onto the target line plane. The "grounded loft" **80** of the club head is the vertical

angle of the centerface normal vector when the club is in the grounded address position (i.e., when the sole **350** is resting on the ground), or stated differently, the angle between the plane **74** of the centerface and a vertical plane when the club is in the grounded address position.

[0086] As shown in FIG. 1C, a face angle **30** is defined by the horizontal component of the centerface normal vector and a vertical plane ("target line plane") that is normal to the vertical plane which contains the shaft longitudinal axis when the shaft **50** is in the correct lie (i.e., typically 60 degrees \pm 5 degrees) and the sole **350** is resting on the playing surface **70** (the club is in the grounded address position).

[0087] The lie angle **10** and/or the shaft loft can be modified by adjusting the position of the shaft **50** relative to the club head. Traditionally, adjusting the position of the shaft has been accomplished by bending the shaft and the hosel relative to the club head. As shown in FIG. 1A, the lie angle **10** can be increased by bending the shaft and the hosel inward toward the club head **300**, as depicted by shaft longitudinal axis **64**. The lie angle **10** can be decreased by bending the shaft and the hosel outward from the club head **300**, as depicted by shaft longitudinal axis **62**. As shown in FIG. 1C, bending the shaft and the hosel forward toward the striking face **310**, as depicted by shaft longitudinal axis **66**, increases the shaft loft. Bending the shaft and the hosel rearward toward the rear of the club head, as depicted by shaft longitudinal axis **68**, decreases the shaft loft. It should be noted that in a conventional club the shaft loft typically is the same as the hosel loft because both the shaft and the hosel are bent relative to the club head. In certain embodiments disclosed herein, the position of the shaft can be adjusted relative to the hosel to adjust shaft loft. In such cases, the shaft loft of the club is adjusted while the hosel loft is unchanged.

[0088] Adjusting the shaft loft is effective to adjust the square loft of the club by the same amount. Similarly, when shaft loft is adjusted and the club head is placed in the address position, the face angle of the club head increases or decreases in proportion to the change in shaft loft. Hence, shaft loft is adjusted to effect changes in square loft and face angle. In addition, the shaft and the hosel can be bent to adjust the lie angle and the shaft loft (and therefore the square loft and the face angle) by bending the shaft and the hosel in a first direction inward or outward relative to the club head to adjust the lie angle and in a second direction forward or rearward relative to the club head to adjust the shaft loft.

Head-Shaft Connection Assembly

[0089] Now with reference to FIGS. 2-4, there is shown a golf club comprising a golf club head **300** attached to a golf club shaft **50** via a removable head-shaft connection assembly, which generally comprises in the illustrated embodiment a shaft sleeve **100**, a hosel insert **200** and a screw **400**. The club head **300** is formed with a hosel opening, or passageway, **340** that extends from the hosel **330** through the club head and opens at the sole, or bottom surface, of the club head. Generally, the club head **300** is removably attached to the shaft **50** by the sleeve **100** (which is mounted to the lower end portion of the shaft **50**) by inserting the sleeve **100** into the hosel opening **340** and the hosel insert **200** (which is mounted inside the hosel opening **340**), and inserting the screw **400** upwardly through the opening in the sole and tightening the screw into a threaded opening of the sleeve, thereby securing the club head **300** to the sleeve **100**.

[0090] By way of example, the club head **300** comprises the head of a “wood-type” golf club. All of the embodiments disclosed in the present specification can be implemented in all types of golf clubs, including but not limited to, drivers, fairway woods, utility clubs, putters, wedges, etc.

[0091] As used herein, a shaft that is “removably attached” to a club head means that the shaft can be connected to the club head using one or more mechanical fasteners, such as a screw or threaded ferrule, without an adhesive, and the shaft can be disconnected and separated from the head by loosening or removing the one or more mechanical fasteners without the need to break an adhesive bond between two components.

[0092] The sleeve **100** is mounted to a lower, or tip end portion **90** of the shaft **50**. The sleeve **100** can be adhesively bonded, welded or secured in equivalent fashion to the lower end portion of the shaft **50**. In other embodiments, the sleeve **100** may be integrally formed as part of the shaft **50**. As shown in FIG. 2, a ferrule **52** can be mounted to the end portion **90** of the shaft just above shaft sleeve **100** to provide a smooth transition between the shaft sleeve and the shaft and to conceal the glue line between the shaft and the sleeve. The ferrule also helps minimize tip breakage of the shaft.

[0093] As best shown in FIG. 3, the hosel opening **340** extends through the club head **300** and has hosel sidewalls **350**. A flange **360** extends radially inward from the hosel sidewalls **350** and forms the bottom wall of the hosel opening. The flange defines a passageway **370**, a flange upper surface **380** and a flange lower surface **390**. The hosel insert **200** can be mounted within the hosel opening **340** with a bottom surface **250** of the insert contacting the flange upper surface **380**. The hosel insert **200** can be adhesively bonded, welded, brazed or secured in another equivalent fashion to the hosel sidewalls **350** and/or the flange to secure the insert **200** in place. In other embodiments, the hosel insert **200** can be formed integrally with the club head **300** (e.g., the insert can be formed and/or machined directly in the hosel opening).

[0094] To restrict rotational movement of the shaft **50** relative to the head **300** when the club head **300** is attached to the shaft **50**, the sleeve **100** has a rotation prevention portion that mates with a complementary rotation prevention portion of the insert **200**. In the illustrated embodiment, for example, the shaft sleeve has a lower portion **150** having a non-circular configuration complementary to a non-circular configuration of the hosel insert **200**. In this way, the sleeve lower portion **150** defines a keyed portion that is received by a keyway defined by the hosel insert **200**. In particular embodiments, the rotational prevention portion of the sleeve comprises longitudinally extending external splines **500** formed on an external surface **160** of the sleeve lower portion **150**, as illustrated in FIGS. 5-6 and the rotation prevention portion of the insert comprises complementary-configured internal splines **240**, formed on an inner surface **250** of the hosel insert **200**, as illustrated in FIGS. 11-14. In alternative embodiments, the rotation prevention portions can be elliptical, rectangular, hexagonal or various other non-circular configurations of the sleeve external surface **160** and a complementary non-circular configuration of the hosel insert inner surface **250**.

[0095] In the illustrated embodiment of FIG. 3, the screw **400** comprises a head **410** having a surface **420**, and threads **430**. The screw **400** is used to secure the club head **300** to the shaft **50** by inserting the screw through passageway **370** and tightening the screw into a threaded bottom opening **196** in the sleeve **100**. In other embodiments, the club head **300** can be secured to the shaft **50** by other mechanical fasteners.

When the screw **400** is fully engaged with the sleeve **100**, the head surface **420** contacts the flange lower surface **390** and an annular thrust surface **130** of the sleeve **100** contacts a hosel upper surface **395** (FIG. 2). The sleeve **100**, the hosel insert **200**, the sleeve lower opening **196**, the hosel opening **340** and the screw **400** in the illustrated example are co-axially aligned.

[0096] It is desirable that a golf club employing a removable club head-shaft connection assembly as described in the present application have substantially similar weight and distribution of mass as an equivalent conventional golf club so that the golf club employing a removable shaft has the same “feel” as the conventional club. Thus, it is desired that the various components of the connection assembly (e.g., the sleeve **100**, the hosel insert **200** and the screw **400**) are constructed from light-weight, high-strength metals and/or alloys (e.g., T6 temper aluminum alloy 7075, grade 5 6Al-4V titanium alloy, etc.) and designed with an eye towards conserving mass that can be used elsewhere in the golf club to enhance desirable golf club characteristics (e.g., increasing the size of the “sweet spot” of the club head or shifting the center of gravity to optimize launch conditions).

[0097] The golf club having an interchangeable shaft and club head as described in the present application provides a golfer with a club that can be easily modified to suit the particular needs or playing style of the golfer. A golfer can replace the club head **300** with another club head having desired characteristics (e.g., different loft angle, larger face area, etc.) by simply unscrewing the screw **400** from the sleeve **100**, replacing the club head and then screwing the screw **400** back into the sleeve **100**. The shaft **50** similarly can be exchanged. In some embodiments, the sleeve **100** can be removed from the shaft **50** and mounted on the new shaft, or the new shaft can have another sleeve already mounted on or formed integral to the end of the shaft.

[0098] In particular embodiments, any number of shafts are provided with the same sleeve and any number of club heads is provided with the same hosel configuration and hosel insert **200** to receive any of the shafts. In this manner, a pro shop or retailer can stock a variety of different shafts and club heads that are interchangeable. A club or a set of clubs that is customized to suit the needs of a consumer can be immediately assembled at the retail location.

[0099] With reference now to FIGS. 5-10, there is shown the sleeve **100** of the club head-shaft connection assembly of FIGS. 2-4. The sleeve **100** in the illustrated embodiment is substantially cylindrical and desirably is made from a light-weight, high-strength material (e.g., T6 temper aluminum alloy 7075). The sleeve **100** includes a middle portion **110**, an upper portion **120** and a lower portion **150**. The upper portion **120** can have a wider thickness than the remainder of the sleeve as shown to provide, for example, additional mechanical integrity to the connection between the shaft **50** and the sleeve **100**. In other embodiments, the upper portion **120** may have a flared or frustoconical shape, to provide, for example, a more streamlined transition between the shaft **50** and club head **300**. The boundary between the upper portion **120** and the middle portion **110** comprises an upper annular thrust surface **130** and the boundary between the middle portion **110** and the lower portion **150** comprises a lower annular surface **140**. In the illustrated embodiment, the annular surface **130** is perpendicular to the external surface of the middle portion **110**. In other embodiments, the annular surface **130** may be frustoconical or otherwise taper from the upper portion **120**

to the middle portion 110. The annular surface 130 bears against the hosel upper surface 395 when the shaft 50 is secured to the club head 300.

[0100] As shown in FIG. 7, the sleeve 100 further comprises an upper opening 192 for receiving the lower end portion 90 of the shaft 50 and an internally threaded opening 196 in the lower portion 150 for receiving the screw 400. In the illustrated embodiment, the upper opening 192 has an annular surface 194 configured to contact a corresponding surface 70 of the shaft 50 (FIG. 3). In other embodiments, the upper opening 192 can have a configuration adapted to mate with various shaft profiles (e.g., a constant inner diameter, plurality of stepped inner diameters, chamfered and/or perpendicular annular surfaces, etc.). With reference to the illustrated embodiment of FIG. 7, splines 500 are located below opening 192 (and therefore below the lower end of the shaft) to minimize the overall diameter of the sleeve. The threads in the lower opening 196 can be formed using a Spiralock® tap.

[0101] As noted above, the rotation prevention portion of the sleeve 100 for restricting relative rotation between the shaft and the club comprises a plurality of external splines 500 formed on an external surface of the lower portion 150 and gaps, or keyways, between adjacent splines 500. Each keyway has an outer surface 160. In the illustrated embodiment of FIGS. 5-6, 9-10, the sleeve comprises eight angularly spaced splines 500 elongated in a direction parallel to the longitudinal axis of the sleeve 100. Referring to FIGS. 6 and 10, each of the splines 500 in the illustrated configuration has a pair of sidewalls 560 extending radially outwardly from the external surface 160, beveled top and bottom edges 510, bottom chamfered corners 520 and an arcuate outer surface 550. The sidewalls 560 desirably diverge or flair moving in a radially outward direction so that the width of the spline near the outer surface 550 is greater than the width at the base of the spline (near surface 160). With reference to features depicted in FIG. 10, the splines 500 have a height H (the distance the sidewalls 550 extend radially from the external surface 160), and a width W_1 at the mid-span of the spline (the straight line distance extending between sidewalls 560 measured at locations of the sidewalls equidistant from the outer surface 550 and the surface 160). In other embodiments, the sleeve comprises more or fewer splines and the splines 500 can have different shapes and sizes.

[0102] Embodiments employing the spline configuration depicted in FIGS. 6-10 provide several advantages. For example, a sleeve having fewer, larger splines provides for greater interference between the sleeve and the hosel insert, which enhances resistance to stripping, increases the load-bearing area between the sleeve and the hosel insert and provides for splines that are mechanically stronger. Further, complexity of manufacturing may be reduced by avoiding the need to machine smaller spline features. For example, various Rosch-manufacturing techniques (e.g., rotary, thru-broach or blind-broach) may not be suitable for manufacturing sleeves or hosel inserts having more, smaller splines. In some embodiments, the splines 500 have a spline height H of between about 0.15 mm to about 1.0 mm with a height H of about 0.5 mm being a specific example and a spline width W_1 of between about 0.979 mm to about 2.87 mm, with a width W_1 of about 1.367 mm being a specific example.

[0103] The non-circular configuration of the sleeve lower portion 150 can be adapted to limit the manner in which the sleeve 100 is positionable within the hosel insert 200. In the illustrated embodiment of FIGS. 9-10, the splines 500 are

substantially identical in shape and size. Six of the eight spaces between adjacent splines can have a spline-to-spline spacing S_1 and two diametrically-opposed spaces can have a spline-to-spline spacing S_2 , where S_2 is a different than S_1 (S_2 is greater than S_1 in the illustrated embodiment). In the illustrated embodiment, the arc angle of S_1 is about 21 degrees and the arc angle of S_2 is about 33 degrees. This spline configuration allows the sleeve 100 to be dually positionable within the hosel insert 200 (i.e., the sleeve 100 can be inserted in the insert 200 at two positions, spaced 180 degrees from each other, relative to the insert). Alternatively, the splines can be equally spaced from each other around the longitudinal axis of the sleeve. In other embodiments, different non-circular configurations of the lower portion 150 (e.g., triangular, hexagonal, more of fewer splines) can provide for various degrees of positionability of the shaft 50.

[0104] The sleeve lower portion 150 can have a generally rougher outer surface relative to the remaining surfaces of the sleeve 100 in order to provide, for example, greater friction between the sleeve 100 and the hosel insert 200 to further restrict rotational movement between the shaft 50 and the club head 300. In particular embodiments, the external surface 160 can be roughened by sandblasting, although alternative methods or techniques can be used.

[0105] The general configuration of the sleeve 100 can vary from the configuration illustrated in FIGS. 5-10. In other embodiments, for example, the relative lengths of the upper portion 120, the middle portion 110 and the lower portion 150 can vary (e.g., the lower portion 150 could comprise a greater or lesser proportion of the overall sleeve length). In additional embodiments, additional sleeve surfaces could contact corresponding surfaces in the hosel insert 200 or hosel opening 340 when the club head 300 is attached to the shaft 50. For example, annular surface 140 of the sleeve may contact upper spline surfaces 230 of the hosel insert 200, annular surface 170 of the sleeve may contact a corresponding surface on an inner surface of the hosel insert 200, and/or a bottom face 180 of the sleeve may contact the flange upper surface 360. In additional embodiments, the lower opening 196 of the sleeve can be in communication with the upper opening 192, defining a continuous sleeve opening and reducing the weight of the sleeve 100 by removing the mass of material separating openings 196 and 192.

[0106] With reference now to FIGS. 11-14, the hosel insert 200 desirably is substantially tubular or cylindrical and can be made from a light-weight, high-strength material (e.g., grade 5 6Al-4V titanium alloy). The hosel insert 200 comprises an inner surface 250 having a non-circular configuration complementary to the non-circular configuration of the external surface of the sleeve lower portion 150. In the illustrated embodiment, the non-circular configuration comprises splines 240 complementary in shape and size to the splines 500 of the sleeve 150. That is, there are eight splines 240 elongated in a direction parallel to the longitudinal axis of the hosel insert 200 and the splines 240 have sidewalls 260 extending radially inward from the inner surface 250, chamfered top edges 230 and an inner surface 270. The sidewalls 260 desirably taper or converge toward each other moving in a radially inward direction to mate with the flared splines 500 of the sleeve. The radially inward sidewalls 260 have at least one advantage in that full surface contact occurs between the teeth and the mating teeth of the sleeve insert. In addition, at least one advantage, is that the translational movement is more constrained within the assembly compared to other

spline geometries having the same tolerance. Furthermore, the radially inward sidewalls 260 promote full sidewall engagement rather than localized contact resulting in higher stresses and lower durability.

[0107] With reference to the features of FIG. 13, the spline configuration of the hosel insert is complementary to the spline configuration of the sleeve lower portion 150 and as such, adjacent pairs of splines 240 have a spline-to-spline spacing S_3 that is slightly greater than the width of the sleeve splines 500. Six of the splines 240 have a width W_2 slightly less than inter-spline spacing S_1 of the sleeve splines 500 and two diametrically-opposed splines have a width W_3 slightly less than inter-spline spacing S_2 of the sleeve splines 500, wherein W_2 is less than W_3 . In additional embodiments, the hosel insert inner surface can have various non-circular configurations complementary to the non-circular configuration of the sleeve lower portion 160.

[0108] Selected surfaces of the hosel insert 200 can be roughened in a similar manner to the exterior surface 160 of the shaft. In some embodiments, the entire surface area of the insert can be provided with a roughened surface texture. In other embodiments, only the inner surface 240 of the hosel insert 200 can be roughened.

[0109] With reference now to FIGS. 2-4, the screw 400 desirably is made from a light-weight, high-strength material (e.g., T6 temper aluminum alloy 7075). In certain embodiments, the major diameter (i.e., outer diameter) of the threads 430 is less than 6 mm (e.g., ISO screws smaller than M6) and is either about 4 mm or 5 mm (e.g., M4 or M5 screws). In general, reducing the thread diameter increases the ability of the screw to elongate or stretch when placed under a load, resulting in a greater preload for a given torque. The use of relatively smaller diameter screws (e.g., M4 or M5 screws) allows a user to secure the club head to the shaft with less effort and allows the golfer to use the club for longer periods of time before having to retighten the screw.

[0110] The head 410 of the screw can be configured to be compatible with a torque wrench or other torque-limiting mechanism. In some embodiments, the screw head comprises a "hexalobular" internal driving feature (e.g., a TORX screw drive) (such as shown in FIG. 15) to facilitate application of a consistent torque to the screw and to resist cam-out of screw-drivers. Securing the club head 300 to the shaft 50 with a torque wrench can ensure that the screw 400 is placed under a substantially similar preload each time the club is assembled, ensuring that the club has substantially consistent playing characteristics each time the club is assembled. In additional embodiments, the screw head 410 can comprise various other drive designs (e.g., Phillips, Pozidriv, hexagonal, TTAP, etc.), and the user can use a conventional screw-driver rather than a torque wrench to tighten the screw.

[0111] The club head-shaft connection desirably has a low axial stiffness. The axial stiffness, k , of an element is defined as

$$k = \frac{EA}{L} \tag{Eq. 1}$$

where E is the Young's modulus of the material of the element, A is the cross-sectional area of the element and L is the length of the element. The lower the axial stiffness of an element, the greater the element will elongate when placed in tension or shorten when placed in compression. A club head-

shaft connection having low axial stiffness is desirable to maximize elongation of the screw 400 and the sleeve, allowing for greater preload to be applied to the screw 400 for better retaining the shaft to the club head. For example, with reference to FIG. 16, when the screw 400 is tightened into the sleeve lower opening 196, various surfaces of the sleeve 100, the hosel insert 200, the flange 360 and the screw 400 contact each other as previously described, which is effective to place the screw, the shaft, and the sleeve in tension and the hosel in compression.

[0112] The axial stiffness of the club head-shaft connection, k_{eff} , can be determined by the equation

$$\frac{1}{k_{eff}} = \frac{1}{k_{screw}} + \frac{1}{k_{sleeve} + k_{shaft}} \tag{Eq. 2}$$

where k_{screw} , k_{shaft} and k_{sleeve} are the stiffnesses of the screw, shaft, and sleeve, respectively, over the portions that have associated lengths L_{screw} , L_{shaft} and L_{sleeve} , respectively, as shown in FIG. 16. L_{screw} is the length of the portion of the screw placed in tension (measured from the flange bottom 390 to the bottom end of the shaft sleeve). L_{shaft} is the length of the portion of the shaft 50 extending into the hosel opening 340 (measured from hosel upper surface 395 to the end of the shaft); and L_{sleeve} is the length of the sleeve 100 placed in tension (measured from hosel upper surface 395 to the end of the sleeve), as depicted in FIG. 16.

[0113] Accordingly, k_{screw} , k_{shaft} and k_{sleeve} can be determined using the lengths in Equation 1. Table 1 shows calculated k values for certain components and combinations thereof for the connection assembly of FIGS. 2-14 and those of other commercially available connection assemblies used with removably attachable golf club heads. Also, the effective hosel stiffness, K_{hosel} , is also shown for comparison purposes (calculated over the portion of the hosel that is in compression during screw preload). A low k_{eff}/K_{hosel} ratio indicates a small shaft connection assembly stiffness compared to the hosel stiffness, which is desirable in order to help maintain preload for a given screw torque during dynamic loading of the head. The k_{eff} of the sleeve-shaft-screw combination of the connection assembly of illustrated embodiment is 9.27×10^7 N/m, which is the lowest among the compared connection assemblies.

TABLE 1

Component(s)	Present technology	Nakashima (N/m)	Callaway Opti-Fit (N/m)	Versus Golf (N/m)
k_{sleeve} (sleeve)	5.57×10^7	9.65×10^7	9.64×10^7	4.03×10^7
$k_{sleeve} + k_{shaft}$ (sleeve + shaft)	1.86×10^8	1.87×10^8	2.03×10^8	1.24×10^8
k_{screw} (screw)	1.85×10^8	5.03×10^8	2.51×10^8	1.88×10^9
k_{eff} (sleeve + shaft + screw)	9.27×10^7	1.36×10^8	1.12×10^8	1.24×10^8
k_{hosel}	1.27×10^8	1.27×10^8	1.27×10^8	1.27×10^8
k_{eff}/k_{hosel} (tension/compression ratio)	0.73	1.07	0.88	0.98

[0114] The components of the connection assembly can be modified to achieve different values. For example, the screw 400 can be longer than shown in FIG. 16. In some embodi-

ments, the length of the opening 196 can be increased along with a corresponding increase in the length of the screw 400. In additional embodiments, the construction of the hosel opening 340 can vary to accommodate a longer screw. For example, with reference to FIG. 17, a club head 600 comprises an upper flange 610 defining the bottom wall of the hosel opening and a lower flange 620 spaced from the upper flange 610 to accommodate a longer screw 630. Such a hosel construction can accommodate a longer screw, and thus can achieve a lower k_{eff} , while retaining compatibility with the sleeve 100 of FIGS. 5-10.

[0115] In the illustrated embodiment of FIGS. 2-10, the cross-sectional area of the sleeve 100 is minimized to minimize k_{sleeve} by placing the splines 500 below the shaft, rather than around the shaft as used in prior art configurations.

EXAMPLES

[0116] In certain embodiments, a shaft sleeve can have 4, 6, 8, 10, or 12 splines. The height H of the splines of the shaft sleeve in particular embodiments can range from about 0.15 mm to about 0.95 mm, and more particularly from about 0.25 mm to about 0.75 mm, and even more particularly from about 0.5 mm to about 0.75 mm. The average diameter D of the spline portion of the shaft sleeve can range from about 6 mm to about 12 mm, with 8.45 mm being a specific example. As shown in FIG. 10, the average diameter is the diameter of the spline portion of a shaft sleeve measured between two points located at the mid-spans of two diametrically opposed splines.

[0117] The length L of the splines of the shaft sleeve in particular embodiments can range from about 2 mm to about 10 mm. For example, when the connection assembly is imple-

sleeve in particular embodiments can range from about 0.1 to about 0.5, and more desirably, from about 0.15 to about 0.35, and even more desirably from about 0.16 to about 0.22. The ratio of spline width W_1 to spline H in particular embodiments can range from about 1.0 to about 22, and more desirably from about 2 to about 4, and even more desirably from about 2.3 to about 3.1. The ratio of spline length L to average diameter in particular embodiments can range from about 0.15 to about 1.7.

[0119] Tables 2-4 below provide dimensions for a plurality of different spline configurations for the sleeve 100 (and other shaft sleeves disclosed herein). In Table 2, the average radius R is the radius of the spline portion of a shaft sleeve measured at the mid-span of a spine, i.e., at a location equidistant from the base of the spline at surface 160 and to the outer surface 550 of the spline (see FIG. 10). The arc length in Tables 2 and 3 is the arc length of a spline at the average radius.

[0120] Table 2 shows the spline arc angle, average radius, average diameter, arc length, arc length/average radius ratio, width at midspan, width (at midspan)/average diameter ratio for different shaft sleeves having 8 splines (with two 33 degree gaps as shown in FIG. 10), 8 equally-spaced splines, 6 equally-spaced splines, 10 equally-spaced splines, 4 equally-spaced splines. Table 3 shows examples of shaft sleeves having different number of splines and spline heights. Table 4 shows examples of different combinations of lengths and average diameters for shaft sleeves apart from the number of splines, spline height H, and spline width W_1 .

[0121] The specific dimensions provided in the present specification for the shaft sleeve 100 (as well as for other components disclosed herein) are given to illustrate the invention and not to limit it. The dimensions provided herein can be modified as needed in different applications or situations.

TABLE 2

# Splines	Spline arc angle (deg.)	Average radius (mm)	Average diameter (mm)	Arc length (mm)	Arc length/Average radius	Width at midspan (mm)	Width/Average diameter
8 (w/ two 33 deg. gaps)	21	4.225	8.45	1.549	0.367	1.540	0.182
8 (equally spaced)	22.5	4.225	8.45	1.659	0.393	1.649	0.195
6 (equally spaced)	30	4.225	8.45	2.212	0.524	2.187	0.259
10 (equally spaced)	18	4.225	8.45	1.327	0.314	1.322	0.156
4 (equally spaced)	45	4.225	8.45	3.318	0.785	3.234	0.383
12 (equally spaced)	15	4.225	8.45	1.106	0.262	1.103	0.131

mented in a driver, the splines can be relatively longer, for example, 7.5 mm or 10 mm. When the connection assembly is implemented in a fairway wood, which is typically smaller than a driver, it is desirable to use a relatively shorter shaft sleeve because less space is available inside the club head to receive the shaft sleeve. In that case, the splines can be relatively shorter, for example, 2 mm or 3 mm in length, to reduce the overall length of the shaft sleeve.

[0118] The ratio of spline width W_1 (at the midspan of the spline) to average diameter of the spline portion of the shaft

TABLE 3

# Splines	Spline height (mm)	Arc length (mm)	Width at Midspan (mm)	Arc length/Height	Width/Height
8 (w/ two 33 deg. gaps)	0.5	1.549	1.540	3.097	3.080

TABLE 3-continued

# Splines	Spline height (mm)	Arc length (mm)	Width at Midspan (mm)	Arc length/Height	Width/Height
8 (w/ two 33 deg/ gaps)	0.25	1.549	1.540	6.194	6.160
8 (w/ two 33 deg/ gaps)	0.75	1.549	1.540	2.065	2.053
8 (equally spaced)	0.5	1.659	1.649	3.318	3.297
6 (equally spaced)	0.15	2.212	2.187	14.748	14.580
4 (equally spaced)	0.95	1.327	1.321	1.397	1.391
4 (equally spaced)	0.15	3.318	3.234	22.122	21.558
12 (equally spaced)	0.95	1.106	1.103	1.164	1.161

TABLE 4

Average sleeve diameter at splines (mm)	Spline length (mm)	Spline length/Average diameter
6	7.5	1.25
6	3	0.5
6	10	1.667
6	2	.333
8.45	7.5	0.888
8.45	3	0.355
8.45	10	1.183
8.45	2	0.237
12	7.5	0.625
12	3	0.25
12	10	0.833
12	2	0.167

Adjustable Lie/Loft Connection Assembly

[0122] Now with reference to FIGS. 18-20, there is shown a golf club comprising a head 700 attached to a removable shaft 800 via a removable head-shaft connection assembly. The connection assembly generally comprises a shaft sleeve 900, a hosel sleeve 1000 (also referred to herein as an adapter sleeve), a hosel insert 1100, a washer 1200 and a screw 1300. The club head 700 comprises a hosel 702 defining a hosel opening, or passageway 710. The passageway 710 in the illustrated embodiment extends through the club head and forms an opening in the sole of the club head to accept the screw 1300. Generally, the club head 700 is removably attached to the shaft 800 by the shaft sleeve 900 (which is mounted to the lower end portion of the shaft 800) being inserted into and engaging the hosel sleeve 1000. The hosel sleeve 1000 is inserted into and engages the hosel insert 1100 (which is mounted inside the hosel opening 710). The screw 1300 is tightened into a threaded opening of the shaft sleeve 900, with the washer 1200 being disposed between the screw 1300 and the hosel insert 1100, to secure the shaft to the club head.

[0123] The shaft sleeve 900 can be adhesively bonded, welded or secured in equivalent fashion to the lower end portion of the shaft 800. In other embodiments, the shaft sleeve 900 may be integrally formed with the shaft 800. As

best shown in FIG. 19, the hosel opening 710 extends through the club head 700 and has hosel sidewalls 740 defining a first hosel inner surface 750 and a second hosel inner surface 760, the boundary between the first and second hosel inner surfaces defining an inner annular surface 720. The hosel sleeve 1000 is disposed between the shaft sleeve 900 and the hosel insert 1100. The hosel insert 1100 can be mounted within the hosel opening 710. The hosel insert 1100 can have an annular surface 1110 that contacts the hosel annular surface 720. The hosel insert 1100 can be adhesively bonded, welded or secured in equivalent fashion to the first hosel surface 740, the second hosel surface 750 and/or the hosel annular surface 720 to secure the hosel insert 1100 in place. In other embodiments, the hosel insert 1100 can be formed integrally with the club head 700.

[0124] Rotational movement of the shaft 800 relative to the club head 700 can be restricted by restricting rotational movement of the shaft sleeve 900 relative to the hosel sleeve 1000 and by restricting rotational movement of the hosel sleeve 1000 relative to the club head 700. To restrict rotational movement of the shaft sleeve 900 relative to the hosel sleeve 1000, the shaft sleeve has a lower, rotation prevention portion 950 having a non-circular configuration that mates with a complementary, non-circular configuration of a lower, rotation prevention portion 1096 inside the hosel sleeve 1000. The rotation prevention portion of the shaft sleeve 900 can comprise longitudinally extending splines 1400 formed on an external surface 960 of the lower portion 950, as best shown in FIGS. 21-22. The rotation prevention portion of the hosel sleeve can comprise complementary-configured splines 1600 formed on an inner surface 1650 of the lower portion 1096 of the hosel sleeve, as best shown in FIGS. 30-31.

[0125] To restrict rotational movement of the hosel sleeve 1000 relative to the club head 700, the hosel sleeve 1000 can have a lower, rotation prevention portion 1050 having a non-circular configuration that mates with a complementary, non-circular configuration of a rotation prevention portion of the hosel insert 1100. The rotation prevention portion of the hosel sleeve can comprise longitudinally extending splines 1500 formed on an external surface 1090 of a lower portion 1050 of the hosel sleeve 1000, as best shown in FIGS. 27-28 and 29. The rotation prevention portion of the hosel insert can comprise of complementary-configured splines 1700 formed on an inner surface 1140 of the hosel insert 1100, as best shown in FIGS. 34 and 36.

[0126] Accordingly, the shaft sleeve lower portion 950 defines a keyed portion that is received by a keyway defined by the hosel sleeve inner surface 1096, and hosel sleeve outer surface 1050 defines a keyed portion that is received by a keyway defined by the hosel insert inner surface 1140. In alternative embodiments, the rotation prevention portions can be elliptical, rectangular, hexagonal or other non-circular complementary configurations of the shaft sleeve lower portion 950 and the hosel sleeve inner surface 1096, and the hosel sleeve outer surface 1050 and the hosel insert inner surface 1140.

[0127] Referring to FIG. 18, the screw 1300 comprises a head 1330 having head, or bearing, surface 1320, a shaft 1340 extending from the head and external threads 1310 formed on a distal end portion of the screw shaft. The screw 1300 is used to secure the club head 700 to the shaft 800 by inserting the screw upwardly into passageway 710 via an opening in the sole of the club head. The screw is further inserted through the washer 1200 and tightened into an internally threaded bottom

portion 996 of an opening 994 in the sleeve 900. In other embodiments, the club head 700 can be secured to the shaft 800 by other mechanical fasteners. With reference to FIGS. 18-19, when the screw 1300 is securely tightened into the shaft sleeve 900, the screw head surface 1320 contacts the washer 1200, the washer 1200 contacts a bottom surface 1120 of the hosel insert 1100, an annular surface 1060 of the hosel sleeve 1000 contacts an upper annular surface 730 of the club 700 and an annular surface 930 of the shaft sleeve 900 contacts an upper surface 1010 of the hosel sleeve 1000.

[0128] The hosel sleeve 1000 is configured to support the shaft 50 at a desired orientation relative to the club head to achieve a desired shaft loft and/or lie angle for the club. As best shown in FIGS. 27 and 31, the hosel sleeve 1000 comprises an upper portion 1020, a lower portion 1050, and a bore or longitudinal opening 1040 extending therethrough. The upper portion, which extends parallel the opening 1040, extends at an angle with respect to the lower portion 1050 defined as an "offset angle" 780 (FIG. 18). As best shown in FIG. 18, when the hosel insert 1040 is inserted into the hosel opening 710, the outer surface of the lower portion 1050 is co-axially aligned with the hosel insert 1100 and the hosel opening. In this manner, the outer surface of the lower portion 1050 of the hosel sleeve, the hosel insert 1100, and the hosel opening 710 collectively define a longitudinal axis B. When the shaft sleeve 900 is inserted into the hosel sleeve, the shaft sleeve and the shaft are co-axially aligned with the opening 1040 of the hosel sleeve. Accordingly, the shaft sleeve, the shaft, and the opening 1040 collectively define a longitudinal axis A of the assembly. As can be seen in FIG. 18, the hosel sleeve is effective to support the shaft 50 along longitudinal axis A, which is offset from longitudinal axis B by offset angle 780.

[0129] Consequently, the hosel sleeve 1000 can be positioned in the hosel insert 1100 in one or more positions to adjust the shaft loft and/or lie angle of the club. For example, FIG. 20 represents a connection assembly embodiment wherein the hosel sleeve can be positioned in four angularly spaced, discrete positions within the hosel insert 1100. As used herein, a sleeve having a plurality of "discrete positions" means that once the sleeve is inserted into the club head, it cannot be rotated about its longitudinal axis to an adjacent position, except for any play or tolerances between mating splines that allows for slight rotational movement of the sleeve prior to tightening the screw or other fastening mechanism that secures the shaft to the club head.

[0130] Referring to FIG. 20, crosshairs A₁-A₄ represent the position of the longitudinal axis A for each position of the hosel sleeve 1000. Positioning the hosel sleeve within the club head such that the shaft is adjusted inward towards the club head (such that the longitudinal axis A passes through crosshair A₄ in FIG. 20) increases the lie angle from an initial lie angle defined by longitudinal axis B; positioning the hosel sleeve such that the shaft is adjusted away from the club head (such that axis A passes through crosshair A₃) reduces the lie angle from an initial lie angle defined by longitudinal axis B. Similarly, positioning the hosel sleeve such that the shaft is adjusted forward toward the striking face (such that axis A passes through crosshair A₂) or rearward toward the rear of the club head (such that axis A passes through the crosshair A₁) will increase or decrease the shaft loft, respectively, from an initial shaft loft angle defined by longitudinal axis B. As noted above, adjusting the shaft loft is effective to adjust the square loft by the same amount. Similarly, the face angle is

adjusted in proportion to the change in shaft loft. The amount of increase or decrease in shaft loft or lie angle in this example is equal to the offset angle 780.

[0131] Similarly, the shaft sleeve 900 can be inserted into the hosel sleeve at various angularly spaced positions around longitudinal axis A. Consequently, if the orientation of the shaft relative to the club head is adjusted by rotating the position of the hosel sleeve 1000, the position of the shaft sleeve within the hosel sleeve can be adjusted to maintain the rotational position of the shaft relative to longitudinal axis A. For example, if the hosel sleeve is rotated 90 degrees with respect to the hosel insert, the shaft sleeve can be rotated 90 degrees in the opposite direction with respect to the hosel sleeve in order to maintain the position of the shaft relative to its longitudinal axis. In this manner, the grip of the shaft and any visual indicia on the shaft can be maintained at the same position relative to the shaft axis as the shaft loft and/or lie angle is adjusted.

[0132] In another example, a connection assembly can employ a hosel sleeve that is positionable at eight angularly spaced positions within the hosel insert 1100, as represented by cross hairs A₁-A₈ in FIG. 20. Crosshairs A₅-A₈ represent hosel sleeve positions within the hosel insert 1100 that are effective to adjust both the lie angle and the shaft loft (and therefore the square loft and the face angle) relative to an initial lie angle and shaft loft defined by longitudinal axis B by adjusting the orientation of the shaft in a first direction inward or outward relative to the club head to adjust the lie angle and in a second direction forward or rearward relative to the club head to adjust the shaft loft. For example, crosshair A₅ represents a hosel sleeve position that adjusts the orientation of the shaft outward and rearward relative to the club head, thereby decreasing the lie angle and decreasing the shaft loft.

[0133] The connection assembly embodiment illustrated in FIGS. 18-20 provides advantages in addition to those provided by the illustrated embodiment of FIGS. 2-4 (e.g., ease of exchanging a shaft or club head) and already described above. Because the hosel sleeve can introduce a non-zero angle between the shaft and the hosel, a golfer can easily change the loft, lie and/or face angles of the club by changing the hosel sleeve. For example, the golfer can unscrew the screw 1300 from the shaft sleeve 900, remove the shaft 800 from the hosel sleeve 1000, remove the hosel sleeve 1000 from the hosel insert 1100, select another hosel sleeve having a desired offset angle, insert the shaft sleeve 900 into the replacement hosel sleeve, insert the replacement hosel sleeve into the hosel insert 1000, and tighten the screw 1300 into the shaft sleeve 900.

[0134] Thus, the use of a hosel sleeve in the shaft-head connection assembly allows the golfer to adjust the position of the shaft relative to the club head without having to resort to such traditional methods such as bending the shaft relative to the club head as described above. For example, consider a golf club utilizing the club head-shaft connection assembly of FIGS. 18-20 comprising a first hosel sleeve wherein the shaft axis is co-axially aligned with the hosel axis (i.e., the offset angle is zero, or, axis A passes through crosshair B). By exchanging the first hosel sleeve for a second hosel sleeve having a non-zero offset angle, a set of adjustments to the shaft loft, lie and/or face angles are possible, depending, in part, on the position of the hosel sleeve within the hosel insert.

[0135] In particular embodiments, the replacement hosel sleeves could be purchased individually from a retailer. In other embodiments, a kit comprising a plurality of hosel

sleeves, each having a different offset angle can be provided. The number of hosel sleeves in the kit can vary depending on a desired range of offset angles and/or a desired granularity of angle adjustments. For example, a kit can comprise hosel sleeves providing offset angles from 0 degrees to 3 degrees, in 0.5 degree increments.

[0136] In particular embodiments, hosel sleeve kits that are compatible with any number of shafts and any number of club heads having the same hosel configuration and hosel insert **1100** are provided. In this manner, a pro shop or retailer need not necessarily stock a large number of shaft or club head variations with various loft, lie and/or face angles. Rather, any number of variations of club characteristic angles can be achieved by a variety of hosel sleeves, which can take up less retail shelf and storeroom space and provide the consumer with a more economic alternative to adjusting loft, lie or face angles (i. e., the golfer can adjust a loft angle by purchasing a hosel sleeve instead of a new club).

[0137] With reference now to FIGS. **21-26**, there is shown the shaft sleeve **900** of the head-shaft connection assembly of FIGS. **18-20**. The shaft sleeve **900** in the illustrated embodiment is substantially cylindrical and desirably is made from a light-weight, high-strength material (e.g., T6 temper aluminum alloy 7075). The shaft sleeve **900** can include a middle portion **910**, an upper portion **920** and a lower portion **950**. The upper portion **920** can have a greater thickness than the remainder of the shaft sleeve to provide, for example, additional mechanical integrity to the connection between the shaft **800** and the shaft sleeve **900**. The upper portion **920** can have a flared or frustoconical shape as shown, to provide, for example, a more streamlined transition between the shaft **800** and club head **700**. The boundary between the upper portion **920** and the middle portion **910** defines an upper annular thrust surface **930** and the boundary between the middle portion **910** and the lower portion **950** defines a lower annular surface **940**. The shaft sleeve **900** has a bottom surface **980**. In the illustrated embodiment, the annular surface **930** is perpendicular to the external surface of the middle portion **910**. In other embodiments, the annular surface **930** may be frustoconical or otherwise taper from the upper portion **920** to the middle portion **910**. The annular surface **930** bears against the upper surface **1010** of the hosel insert **1000** when the shaft **800** is secured to the club head **700** (FIG. **18**).

[0138] The shaft sleeve **900** further comprises an opening **994** extending the length of the shaft sleeve **900**, as depicted in FIG. **23**. The opening **994** has an upper portion **998** for receiving the shaft **800** and an internally threaded bottom portion **996** for receiving the screw **1300**. In the illustrated embodiment, the opening upper portion **998** has an internal sidewall having a constant diameter that is complementary to the configuration of the lower end portion of the shaft **800**. In other embodiments, the opening upper portion **998** can have a configuration adapted to mate with various shaft profiles (e.g., the opening upper portion **998** can have more than one inner diameter, chamfered and/or perpendicular annular surfaces, etc.). With reference to the illustrated embodiment of FIG. **23**, splines **1400** are located below the opening upper portion **998** and therefore below the shaft to minimize the overall diameter of the shaft sleeve. In certain embodiments, the internal threads of the lower opening **996** are created using a Spiralock® tap.

[0139] In particular embodiments, the rotation prevention portion of the shaft sleeve comprises a plurality of splines **1400** on an external surface **960** of the lower portion **950** that

are elongated in the direction of the longitudinal axis of the shaft sleeve **900**, as shown in FIGS. **21-22** and **26**. The splines **1400** have sidewalls **1420** extending radially outwardly from the external surface **960**, bottom edges **1410**, bottom corners **1422** and arcuate outer surfaces **1450**. In other embodiments, the external surface **960** can comprise more splines (such as up to 12) or fewer than four splines and the splines **1400** can have different shapes and sizes.

[0140] With reference now to FIGS. **27-33**, there is shown the hosel sleeve **1000** of the head-shaft connection assembly of FIGS. **18-20**. The hosel sleeve **1000** in the illustrated embodiment is substantially cylindrical and desirably is made from a light-weight, high-strength material (e.g., T6 temper aluminum alloy 7075). As noted above, the hosel sleeve **1000** includes an upper portion **1020** and a lower portion **1050**. As shown in the illustrated embodiment of FIG. **27**, the upper portion **1020** can have a flared or frustoconical shape, with the boundary between the upper portion **1020** and the lower portion **1050** defining an annular thrust surface **1060**. In the illustrated embodiment, the annular surface **1060** tapers from the upper portion **1020** to the lower portion **1050**. In other embodiments, the annular surface **1060** can be perpendicular to the external surface **1090** of the lower portion **1050**. As best shown in FIG. **18**, the annular surface **1060** bears against the upper annular surface **730** of the hosel when the shaft **800** is secured to the club head **700**.

[0141] The hosel sleeve **1000** further comprises an opening **1040** extending the length of the hosel sleeve **1000**. The hosel sleeve opening **1040** has an upper portion **1094** with internal sidewalls **1095** that are complementary configured to the configuration of the shaft sleeve middle portion **910**, and a lower portion **1096** defining a rotation prevention portion having a non-circular configuration complementary to the configuration of shaft sleeve lower portion **950**.

[0142] The non-circular configuration of the hosel sleeve lower portion **1096** comprises a plurality of splines **1600** formed on an inner surface **1650** of the opening lower portion **1096**. With reference to FIGS. **30-31**, the inner surface **1650** comprises four splines **1600** elongated in the direction of the longitudinal axis (axis A) of the hosel sleeve opening. The splines **1600** in the illustrated embodiment have sidewalls **1620** extending radially inwardly from the inner surface **1650** and arcuate inner surfaces **1630**.

[0143] The external surface of the lower portion **1050** defines a rotation prevention portion comprising four splines **1500** elongated in the direction of and are parallel to longitudinal axis B defined by the external surface of the lower portion, as depicted in FIGS. **27** and **31**. The splines **1500** have sidewalls **1520** extending radially outwardly from the surface **1550**, top and bottom edges **1540** and accurate outer surfaces **1530**.

[0144] The splined configuration of the shaft sleeve **900** dictates the degree to which the shaft sleeve **900** is positionable within the hosel sleeve **1000**. In the illustrated embodiment of FIGS. **26** and **30**, the splines **1400** and **1600** are substantially identical in shape and size and adjacent pairs of splines **1400** and **1600** have substantially similar spline-to-spline spacings. This spline configuration allows the shaft sleeve **900** to be positioned within the hosel sleeve **1000** at four angularly spaced positions relative to the hosel sleeve **1000**. Similarly, the hosel sleeve **1000** can be positioned within the club head **700** at four angularly spaced positions. In other embodiments, different non-circular configurations (e.g., triangular, hexagonal, more or fewer splines, variable

spline-to-spline spacings or spline widths) of the shaft sleeve lower portion **950**, the hosel opening lower portion **1096**, the hosel lower portion **1050** and the hosel insert inner surface **1140** could provide for various degrees of positionability.

[0145] The external surface of the shaft sleeve lower portion **950**, the internal surface of the hosel sleeve opening lower portion **1096**, the external surface of the hosel sleeve lower portion **1050**, and the internal surface of the hosel insert can have generally rougher surfaces relative to the remaining surfaces of the shaft sleeve **900**, the hosel sleeve **1000** and the hosel insert. The enhanced surface roughness provides, for example, greater friction between the shaft sleeve **900** and the hosel sleeve **1000** and between the hosel sleeve **1000** and the hosel insert **1100** to further restrict relative rotational movement between these components. The contacting surfaces of shaft sleeve, the hosel sleeve and the hosel insert can be roughened by sandblasting, although alternative methods or techniques can be used.

[0146] With reference now to FIGS. 34-36, the hosel insert **1100** desirably is substantially tubular or cylindrical and can be made from a light-weight, high-strength material (e.g., grade 5 6Al-4V titanium alloy). The hosel insert **1100** comprises an inner surface **1140** defining a rotation prevention portion having a non-circular configuration that is complementary to the non-circular configuration of the hosel sleeve outer surface **1090**. In the illustrated embodiment, the non-circulation configuration of inner surface **1140** comprises internal splines **1700** that are complementary in shape and size to the external splines **1500** of the hosel sleeve **1000**. That is, there are four splines **1700** elongated in the direction of the longitudinal axis of the hosel insert **1100**, and the splines **1700** have sidewalls **1720** extending radially inwardly from the inner surface **1140**, chamfered top edges **1730** and inner surfaces **1710**. The hosel insert **1100** can comprise an annular surface **1110** that contacts hosel annular surface **720** when the insert **1100** is mounted in the hosel opening **710** as depicted in FIG. 18. Additionally, the hosel opening **710** can have an annular shoulder (similar to shoulder **360** in FIG. 3). The insert **1100** can be welded or otherwise secured to the shoulder.

[0147] With reference now to FIGS. 18-20, the screw **1300** desirably is made from a lightweight, high-strength material (e.g., T6 temper aluminum alloy 7075). In certain embodiments, the major diameter (i.e., outer diameter) of the threads **1310** is about 4 mm (e.g., ISO screw size) but may be smaller or larger in alternative embodiments. The benefits of using a screw **1300** having a reduced thread diameter (about 4 mm or less) include the benefits described above with respect to screw **400** (e.g., the ability to place the screw under a greater preload for a given torque).

[0148] The head **1330** of the screw **1300** can be similar to the head **410** of the screw **400** (FIG. 15) and can comprise a hexalobular internal driving feature as described above. In additional embodiments, the screw head **1330** can comprise various other drive designs (e.g., Phillips, Pozidriv, hexagonal, TTAP, etc.), and the user can use a conventional screwdriver to tighten the screw.

[0149] As best shown in FIGS. 38-42, the screw **1300** desirably has an inclined, spherical bottom surface **1320**. The washer **1200** desirably comprises a tapered bottom surface **1220**, an upper surface **1210**, an inner surface **1240** and an inner circumferential edge **1225** defined by the boundary between the tapered surface **1220** and the inner surface **1240**. As discussed above and as shown in FIG. 18, a hosel sleeve

1000 can be selected to support the shaft at a non-zero angle with respect to the longitudinal axis of the hosel opening. In such a case, the shaft sleeve **900** and the screw **1300** extend at a non-zero angle with respect to the longitudinal axis of the hosel insert **1100** and the washer **1200**. Because of the inclined surfaces **1320** and **1220** of the screw and the washer, the screw head can make complete contact with the washer through 360 degrees to better secure the shaft sleeve in the hosel insert. In certain embodiments, the screw head can make complete contact with the washer regardless of the position of the screw relative to the longitudinal axis of the hosel opening.

[0150] For example, in the illustrated embodiment of FIG. 41, the head-shaft connection assembly employs a first hosel sleeve having a longitudinal axis that is co-axially aligned with the hosel sleeve opening longitudinal axis (i.e., the offset angle between the two longitudinal axes A and B is zero). The screw **1300** contacts the washer **1200** along the entire circumferential edge **1225** of the washer **1200**. When the first hosel sleeve is exchanged for a second hosel sleeve having a non-zero offset angle, as depicted in FIG. 42, the tapered washer surface **1220** and the tapered screw head surface **1320** allow for the screw **1300** to maintain contact with the entire circumferential edge **1225** of the washer **1200**. Such a washer-screw connection allows the bolt to be loaded in pure axial tension without being subjected to any bending moments for a greater preload at a given installation torque, resulting in the club head **700** being more reliably and securely attached to the shaft **800**. Additionally, this configuration allows for the compressive force of the screw head to be more evenly distributed across the washer upper surface **1210** and hosel insert bottom surface **1120** interface.

[0151] FIG. 43A shows another embodiment of a gold club assembly that has a removable shaft that can be supported at various positions relative to the head to vary the shaft loft and/or the lie angle of the club. The assembly comprises a club head **3000** having a hosel **3002** defining a hosel opening **3004**. The hosel opening **3004** is dimensioned to receive a shaft sleeve **3006**, which in turn is secured to the lower end portion of a shaft **3008**. The shaft sleeve **3006** can be adhesively bonded, welded or secured in equivalent fashion to the lower end portion of the shaft **3008**. In other embodiments, the shaft sleeve **3006** can be integrally formed with the shaft **3008**. As shown, a ferrule **3010** can be disposed on the shaft just above the shaft sleeve **3006** to provide a transition piece between the shaft sleeve and the outer surface of the shaft **3008**.

[0152] The hosel opening **3004** is also adapted to receive a hosel insert **200** (described in detail above), which can be positioned on an annular shoulder **3012** inside the club head. The hosel insert **200** can be secured in place by welding, an adhesive, or other suitable techniques. Alternatively, the insert can be integrally formed in the hosel opening. The club head **3000** further includes an opening **3014** in the bottom or sole of the club head that is sized to receive a screw **400**. Much like the embodiment shown in FIG. 2, the screw **400** is inserted into the opening **3014**, through the opening in shoulder **3012**, and is tightened into the shaft sleeve **3006** to secure the shaft to the club head. However, unlike the embodiment shown in FIG. 2, the shaft sleeve **3006** is configured to support the shaft at different positions relative to the club head to achieve a desired shaft loft and/or lie angle.

[0153] If desired, a screw capturing device, such as in the form of an o-ring or washer **3036**, can be placed on the shaft

of the screw **400** above shoulder **3012** to retain the screw in place within the club head when the screw is loosened to permit removal of the shaft from the club head. The ring **3036** desirably is dimensioned to frictionally engage the threads of the screw and has an outer diameter that is greater than the central opening in shoulder **3012** so that the ring **3036** cannot fall through the opening. When the screw **400** is tightened to secure the shaft to the club head, as depicted in FIG. 43A, the ring **3036** desirably is not compressed between the shoulder **3012** and the adjacent lower surface of the shaft sleeve **3006**. FIG. 43B shows the screw **400** removed from the shaft sleeve **3006** to permit removal of the shaft from the club head. As shown, in the disassembled state, the ring **3036** captures the distal end of the screw to retain the screw within the club head to prevent loss of the screw. The ring **3036** desirably comprises a polymeric or elastomeric material, such as rubber, Viton, Neoprene, silicone, or similar materials. The ring **3036** can be an o-ring having a circular cross-sectional shape as depicted in the illustrated embodiment. Alternatively, the ring **3036** can be a flat washer having a square or rectangular cross-sectional shape. In other embodiments, the ring **3036** can various other cross-sectional profiles.

[0154] The shaft sleeve **3006** is shown in greater detail in FIGS. 44-47. The shaft sleeve **3006** in the illustrated embodiment comprises an upper portion **3016** having an upper opening **3018** for receiving and a lower portion **3020** located below the lower end of the shaft. The lower portion **3020** can have a threaded opening **3034** for receiving the threaded shaft of the screw **400**. The lower portion **3020** of the sleeve can comprise a rotation prevention portion configured to mate with a rotation prevention portion of the hosel insert **200** to restrict relative rotation between the shaft and the club head. As shown, the rotation prevention portion can comprise a plurality of longitudinally extending external splines **500** that are adapted to mate with corresponding internal splines **240** of the hosel insert **200** (FIGS. 11-14). The lower portion **3020** and the external splines **500** formed thereon can have the same configuration as the shaft lower portion **150** and splines **500** shown in FIGS. 5-7 and 9-10 and described in detail above. Thus, the details of splines **500** are not repeated here.

[0155] Unlike the embodiment shown in FIGS. 5-7 and 9-10, the upper portion **3016** of the sleeve extends at an offset angle **3022** relative to the lower portion **3020**. As shown in FIG. 43, when inserted in the club head, the lower portion **3020** is co-axially aligned with the hosel insert **200** and the hosel opening **3004**, which collectively define a longitudinal axis B. The upper portion **3016** of the shaft sleeve **3006** defines a longitudinal axis A and is effective to support the shaft **3008** along axis A, which is offset from longitudinal axis B by offset angle **3022**. Inserting the shaft sleeve at different angular positions relative to the hosel insert is effective to adjust the shaft loft and/or the lie angle, as further described below.

[0156] As best shown in FIG. 47, the upper portion **3016** of the shaft sleeve desirably has a constant wall thickness from the lower end of opening **3018** to the upper end of the shaft sleeve. A tapered surface portion **3026** extends between the upper portion **3016** and the lower portion **3020**. The upper portion **3016** of the shaft sleeve has an enlarged head portion **3028** that defines an annular bearing surface **3030** that contacts an upper surface **3032** of the hosel **3002** (FIG. 43). The bearing surface **3030** desirably is oriented at a 90-degree angle with respect to longitudinal axis B so that when the shaft sleeve is inserted in to the hosel, the bearing surface

3030 can make complete contact with the opposing surface **3032** of the hosel through 360 degrees.

[0157] As further shown in FIG. 43, the hosel opening **3004** desirably is dimensioned to form a gap **3024** between the outer surface of the upper portion **3016** of the sleeve and the opposing internal surface of the club head. Because the upper portion **3016** is not co-axially aligned with the surrounding inner surface of the hosel opening, the gap **3024** desirably is large enough to permit the shaft sleeve to be inserted into the hosel opening with the lower portion extending into the hosel insert at each possible angular position relative to longitudinal axis B. For example, in the illustrated embodiment, the shaft sleeve has eight external splines **500** that are received between eight internal splines **240** of the hosel insert **200**. The shaft sleeve and the hosel insert can have the configurations shown in FIGS. 10 and 13, respectively. This allows the sleeve to be positioned within the hosel insert at two positions spaced 180 degrees from each other, as previously described.

[0158] Other shaft sleeve and hosel insert configurations can be used to vary the number of possible angular positions for the shaft sleeve relative to the longitudinal axis B. FIGS. 48 and 49, for example, show an alternative shaft sleeve and hosel insert configuration in which the shaft sleeve **3006** has eight equally spaced splines **500** with radial sidewalls **502** that are received between eight equally spaced splines **240** of the hosel insert **200**. Each spline **500** is spaced from an adjacent spline by spacing S_1 dimensioned to receive a spline **240** of the hosel insert having a width W_2 . This allows the lower portion **3020** of the shaft sleeve to be inserted into the hosel insert **200** at eight angularly spaced positions around longitudinal axis B (similar to locations A_1 - A_8 shown in FIG. 20). In a specific embodiment, the spacing S_1 is about 23 degrees, the arc angle of each spline **500** is about 22 degrees, and the width W_2 is about 22.5 degrees.

[0159] FIGS. 50 and 51 show another embodiment of a shaft sleeve and hosel insert configuration. In the embodiment of FIGS. 50 and 51, the shaft sleeve **3006** (FIG. 50) has eight splines **500** that are alternately spaced by spline-to-spline spacing S_1 and S_2 , where S_2 is greater than S_1 . Each spline has radial sidewalls **502** providing the same advantages previously described with respect to radial sidewalls. Similarly, the hosel insert **200** (FIG. 51) has eight splines **240** having alternating widths W_2 and W_3 that are slightly less than spline spacing S_1 and S_2 , respectively, to allow each spline **240** of width W_2 to be received within spacing S_1 of the shaft sleeve and each spline **240** of width W_3 to be received within spacing S_2 of the shaft sleeve. This allows the lower portion **3020** of the shaft sleeve to be inserted into the hosel insert **200** at four angularly spaced positions around longitudinal axis B. In a particular embodiment, the spacing S_1 is about 19.5 degrees, the spacing S_2 is about 29.5 degrees, the arc angle of each spline **500** is about 20.5 degrees, the width W_2 is about 19 degrees, and the width W_3 is about 29 degrees. In addition, using a greater or fewer number of splines on the shaft sleeve and mating splines on the hosel insert increases and decreases, respectively, the number of possible positions for shaft sleeve.

[0160] As can be appreciated, the assembly shown in FIGS. 43-51 is similar to the embodiment shown in FIGS. 18-20 in that both permit a shaft to be supported at different orientations relative to the club head to vary the shaft loft and/or lie angle. An advantage of the assembly of FIGS. 43-51 is that it includes less pieces than the assembly of FIGS. 18-20, and

therefore is less expensive to manufacture and has less mass (which allows for a reduction in overall weight).

[0161] FIG. 60 shows another embodiment of a golf club assembly that is similar to the embodiment shown in FIG. 43A. The embodiment of FIG. 60 includes a club head 3050 having a hosel 3052 defining a hosel opening 3054, which in turn is adapted to receive a hosel insert 200. The hosel opening 3054 is also adapted to receive a shaft sleeve 3056 mounted on the lower end portion of a shaft (not shown in FIG. 60) as described herein.

[0162] The shaft sleeve 3056 has a lower portion 3058 including splines that mate with the splines of the hosel insert 200, an intermediate portion 3060 and an upper head portion 3062. The intermediate portion 3060 and the head portion 3062 define an internal bore 3064 for receiving the tip end portion of the shaft. In the illustrated embodiment, the intermediate portion 3060 of the shaft sleeve has a cylindrical external surface that is concentric with the inner cylindrical surface of the hosel opening 3054. In this manner, the lower and intermediate portions 3058, 3060 of the shaft sleeve and the hosel opening 3054 define a longitudinal axis B. The bore 3064 in the shaft sleeve defines a longitudinal axis A to support the shaft along axis A, which is offset from axis B by a predetermined angle 3066 determined by the bore 3064. As described above, inserting the shaft sleeve 3056 at different angular positions relative to the hosel insert 200 is effective to adjust the shaft loft and/or the lie angle.

[0163] In this embodiment, because the intermediate portion 3060 is concentric with the hosel opening 3054, the outer surface of the intermediate portion 3060 can contact the adjacent surface of the hosel opening, as depicted in FIG. 60. This allows easier alignment of the mating features of the assembly during installation of the shaft and further improves the manufacturing process and efficiency. FIGS. 61 and 62 are enlarged views of the shaft sleeve 3056. As shown, the head portion 3062 of the shaft sleeve (which extends above the hosel 3052) can be angled relative to the intermediate portion 3060 by the angle 3066 so that the shaft and the head portion 3062 are both aligned along axis A. In alternative embodiments, the head portion 3062 can be aligned along axis B so that it is parallel to the intermediate portion 3060 and the lower portion 3058.

Adjustable Sole

[0164] As discussed above, the grounded loft 80 of a club head is the vertical angle of the centerface normal vector when the club is in the address position (i.e., when the sole is resting on the ground), or stated differently, the angle between the club face and a vertical plane when the club is in the address position. When the shaft loft of a club is adjusted, such as by employing the system disclosed in FIGS. 18-42 or the system shown in FIGS. 43-51 or by traditional bending of the shaft, the grounded loft does not change because the orientation of the club face relative to the sole of the club head does not change. On the other hand, adjusting the shaft loft is effective to adjust the square loft of the club by the same amount. Similarly, when shaft loft is adjusted and the club head is placed in the address position, the face angle of the club head increases or decreases in proportion to the change in shaft loft. For example, for a club having a 60-degree lie angle, decreasing the shaft loft by approximately 0.6 degree increases the face angle by +1.0 degree, resulting in the club face being more “open” or turned out. Conversely, increasing

the shaft loft by approximately 0.6 degree decreases the face angle by -1.0 degree, resulting in the club face being more “closed” or turned in.

[0165] Conventional clubs do not allow for adjustment of the hosel/shaft loft without causing a corresponding change in the face angle. FIGS. 52-53 illustrates a club head 2000, according to one embodiment, configured to “decouple” the relationship between face angle and hosel/shaft loft (and therefore square loft), that is, allow for separate adjustment of square loft and face angle. The club head 2000 in the illustrated embodiment comprises a club head body 2002 having a rear end 2006, a striking face 2004 defining a forward end of the body, and a bottom portion 2022. The body also has a hosel 2008 for supporting a shaft (not shown).

[0166] The bottom portion 2022 comprises an adjustable sole 2010 (also referred to as an adjustable “sole portion”) that can be adjusted relative to the club head body 2002 to raise and lower at least the rear end of the club head relative to the ground. As shown, the sole 2010 has a forward end portion 2012 and a rear end portion 2014. The sole 2010 can be a flat or curved plate that can be curved to conform to the overall curvature of the bottom 2022 of the club head. The forward end portion 2012 is pivotably connected to the body 2002 at a pivot axis defined by pivot pins 2020 to permit pivoting of the sole relative to the pivot axis. The rear end portion 2014 of the sole therefore can be adjusted upwardly or downwardly relative to the club head body so as to adjust the “sole angle” 2018 of the club (FIG. 52), which is defined as the angle between the bottom of the adjustable sole 2010 and the non-adjustable bottom surface 2022 of the club head body. As can be seen, varying the sole angle 2018 causes a corresponding change in the grounded loft 80. By pivotably connecting the forward end portion of the adjustable sole, the lower leading edge of the club head at the junction of the striking face and the lower surface can be positioned just off the ground at contact between the club head and a ball. This is desirable to help avoid so-called “thin” shots (when the club head strikes the ball too high, resulting in a low shot) and to allow a golfer to hit a ball “off the deck” without a tee if necessary.

[0167] The club head can have an adjustment mechanism that is configured to permit manual adjustment of the sole 2010. In the illustrated embodiment, for example, an adjustment screw 2016 extends through the rear end portion 2014 and into a threaded opening in the body (not shown). The axial position of the screw relative to the sole 2010 is fixed so that adjustment of the screw causes corresponding pivoting of the sole 2010. For example, turning the screw in a first direction lowers the sole 2010 from the position shown in solid lines to the position shown in dashed lines in FIG. 52. Turning the screw in the opposite direction raises the sole relative to the club head body. Various other techniques and mechanisms can be used to affect raising and lowering of the sole 2010.

[0168] Moreover, other techniques or mechanisms can be implemented in the club head 2000 to permit raising and lowering of the sole angle of the club. For example, the club head can comprise one or more lifts that are located near the rear end of the club head, such as shown in the embodiment of FIGS. 54-58, discussed below. The lifts can be configured to be manually extended downwardly through openings in the bottom portion 2022 of the club head to increase the sole angle and retracted upwardly into the club head to decrease the sole angle. In a specific implementation, a club head can have a telescoping protrusion near the aft end of the head

which can be telescopically extended and retracted relative to the club head to vary the sole angle.

[0169] In particular embodiments, the hosel **2008** of the club head can be configured to support a removable shaft at different predetermined orientations to permit adjustment of the shaft loft and/or lie angle of the club. For example, the club head **2000** can be configured to receive the assembly described above and shown in FIG. **19** (shaft sleeve **900**, adapter sleeve **1000**, and insert **1100**) to permit a user to vary the shaft loft and/or lie angle of the club by selecting an adapter sleeve **1000** that supports the club shaft at the desired orientation. Alternatively, the club head can be adapted to receive the assembly shown in FIGS. **43-47** to permit adjustment of the shaft loft and/or lie angle of the club. In other embodiments, a club shaft can be connected to the hosel **2008** in a conventional manner, such as by adhesively bonding the shaft to the hosel, and the shaft loft can be adjusted by bending the shaft and hosel relative to the club head in a conventional manner. The club head **2000** also can be configured for use with the removable shaft assembly described above and disclosed in FIGS. **1-16**.

[0170] Varying the sole angle of the club head changes the address position of the club head, and therefore the face angle of the club head. By adjusting the position of the sole and by adjusting the shaft loft (either by conventional bending or using a removable shaft system as described herein), it is possible to achieve various combinations of square loft and face angle with one club. Moreover, it is possible to adjust the shaft loft (to adjust square loft) while maintaining the face angle of club by adjusting the sole a predetermined amount.

[0171] As an example, Table 5 below shows various combinations of square loft, grounded loft, face angle, sole angle, and hosel loft that can be achieved with a club head that has a nominal or initial square loft of 10.4 degrees and a nominal or initial face angle of 6.0 degrees and a nominal or initial grounded loft of 14 degrees at a 60-degree lie angle. The nominal condition in Table 5 has no change in sole angle or hosel loft angle (i.e., Δ sole angle=0.0 and Δ hosel loft angle=0.0). The parameters in the other rows of Table 5 are deviations to this nominal state (i.e., either the sole angle and/or the hosel loft angle has been changed relative to the nominal state). In this example, the hosel loft angle is increased by 2 degrees, decreased by 2 degrees or is unchanged, and the sole angle is varied in 2-degree increments. As can be seen in the table, these changes in hosel loft angle and sole angle allows the square loft to vary from 8.4, 10.4, and 12.4 with face angles of -4.0, -0.67, 2.67, -7.33, 6.00, and 9.33. In other examples, smaller increments and/or larger ranges for varying the sole angle and the hosel loft angle can be used to achieve different values for square loft and face angle.

[0172] Also, it is possible to decrease the hosel loft angle and maintain the nominal face angle of 6.0 degrees by increasing the sole angle as necessary to achieve a 6.0-degree face angle at the adjusted hosel loft angle. For example, decreasing the hosel loft angle by 2 degrees of the club head represented in Table 5 will increase the face angle to 9.33 degrees. Increasing the sole angle to about 2.0 degrees will readjust the face angle to 6.0 degrees.

TABLE 5

Square loft (deg)	Grounded loft (deg)	Face angle (deg) “+” = open “-” = closed	Δ Sole angle (deg)	Δ Hosel loft angle (deg) “+” = weaker “-” = stronger
12.4	10.0	-4.00	4.0	2.0
10.4	8.0	-4.00	6.0	0.0
8.4	6.0	-4.00	8.0	-2.0
12.4	12.0	-0.67	2.0	2.0
10.4	10.0	-0.67	4.0	0.0
8.4	8.0	-0.67	6.0	-2.0
12.4	14.0	2.67	0.0	2.0
10.4	12.0	2.67	2.0	0.0
8.4	10.0	2.67	4.0	-2.0
12.4	8.0	-7.33	6.0	2.0
10.4	14.0	6.00	0.0	0.0
8.4	14.0	9.33	0.0	-2.0
8.4	6.0	-4.00	8.0	-2.0

[0173] FIGS. **54-58** illustrates a golf club head **4000**, according to another embodiment, that has an adjustable sole. The club head **4000** comprises a club head body **4002** having a rear end **4006**, a striking face **4004** defining a forward end of the body, and a bottom portion **4022**. The body also has a hosel **4008** for supporting a shaft (not shown). The bottom portion **4022** defines a leading edge surface portion **4024** adjacent the lower edge of the striking face that extends transversely across the bottom portion **4022** (i.e., the leading edge surface portion **4024** extends in a direction from the heel to the toe of the club head body).

[0174] The bottom portion **4022** further includes an adjustable sole portion **4010** that can be adjusted relative to the club head body **4002** to raise and lower the rear end of the club head relative to the ground. As best shown in FIG. **56**, the adjustable sole portion **4010** is elongated in the heel-to-toe direction of the club head and has a lower surface **4012** that desirably is curved to match the curvature of the leading edge surface portion **4024**. In the illustrated embodiment, both the leading edge surface **4024** and the bottom surface **4012** of the sole portion **4010** are concave surfaces. In other embodiments, surfaces **4012** and **4024** are not necessarily curved surfaces but they desirably still have the same profile extending in the heel-to-toe direction. In this manner, if the club head deviates from the grounded address position (e.g., the club is held at a lower or flatter lie angle), the effective face angle of the club head does not change substantially, as further described below. The crown to face transition or top-line would stay relatively stable when viewed from the address position as the club is adjusted between the lie ranges described herein. Therefore, the golfer is better able to align the club with the desired direction of the target line. In some embodiments, the top-line transition is clearly delineated by a masking line between the painted crown and the unpainted face.

[0175] The sole portion **4010** has a first edge **4018** located toward the heel of the club head and a second edge **4020** located at about the middle of the width of the club head. In this manner, the sole portion **4010** (from edge **4018** to edge **4020**) has a length that extends transversely across the club head less than half the width of the club head. As noted above, studies have shown that most golfers address the ball with a lie angle between 10 and 20 degrees less than the intended scoreline lie angle of the club head (the lie angle when the club head is in the address position). The length of the sole portion **4010** in the illustrated embodiment is selected to

support the club head on the ground at the grounded address position or any lie angle between 0 and 20 degrees less than the lie angle at the grounded address position. In alternative embodiments, the sole portion 4010 can have a length that is longer or shorter than that of the illustrated embodiment to support the club head at a greater or smaller range of lie angles. For example, the sole portion 4010 can extend past the middle of the club head to support the club head at lie angles that are greater than the scoreline lie angle (the lie angle at the grounded address position).

[0176] As best shown in FIGS. 57 and 58, the bottom portion of the club head body can be formed with a recess 4014 that is shaped to receive the adjustable sole portion 4010. One or more screws 4016 (two are shown in the illustrated embodiment) can extend through respective washers 4028, corresponding openings in the adjustable sole portion 4010, one or more shims 4026 and into threaded openings in the bottom portion 4022 of the club head body. The sole angle of the club head can be adjusted by increasing or decreasing the number of shims 4026, which changes the distance the sole portion 4010 extends from the bottom of the club head. The sole portion 4010 can also be removed and replaced with a shorter or taller sole portion 4010 to change the sole angle of the club. In one implementation, the club head is provided with a plurality of sole portions 4010, each having a different height H (FIG. 58) (e.g., the club head can be provided with a small, medium and large sole portion 4010). Removing the existing sole portion 4010 and replacing it with one having a greater height H increases the sole angle while replacing the existing sole portion 4010 with one having a smaller height H will decrease the sole angle.

[0177] In an alternative embodiment, the axial position of each of the screws 4016 relative to the sole portion 4010 is fixed so that adjustment of the screws causes the sole portion 4010 to move away from or closer to the club head. Adjusting the sole portion 4010 downwardly increases the sole angle of the club head while adjusting the sole portion upwardly decreases the sole angle of the club head.

[0178] When a golfer changes the actual lie angle of the club by tilting the club toward or away from the body so that the club head deviates from the grounded address position, there is a slight corresponding change in face angle due to the loft of the club head. The effective face angle, eFA, of the club head is a measure of the face angle with the loft component removed (i.e. the angle between the horizontal component of the face normal vector and the target line vector), and can be determined by the following equation:

$$eFA = -\arctan \left[\frac{(\sin \Delta lie \cdot \sin GL \cdot \cos MFA) - (\cos \Delta lie \cdot \sin MFA)}{\cos GL \cdot \cos MFA} \right] \tag{Eq. 3}$$

where Δlie =measured lie angle–scoreline lie angle,

[0179] GL is the grounded loft angle of the club head, and

[0180] MFA is the measured face angle.

[0181] As noted above, the adjustable sole portion 4010 has a lower surface 4012 that matches the curvature of the leading edge surface portion 4024 of the club head. Consequently, the effective face angle remains substantially constant as the golfer holds the club with the club head on the playing surface and the club is tilted toward and away from the golfer so as to adjust the actual lie angle of the club. In particular embodiments, the effective face angle of the club head 4000 is held

constant within a tolerance of ± 0.2 degrees as the lie angle is adjusted through a range of 0 degrees to about 20 degrees less than the scoreline lie angle. In a specific implementation, for example, the scoreline lie angle of the club head is 60 degrees and the effective face angle is held constant within a tolerance of ± 0.2 degrees for lie angles between 60 degrees and 40 degrees. In another example, the scoreline lie angle of the club head is 60 degrees and the effective face angle is held constant within a tolerance of ± 0.1 degrees for lie angles between 60 degrees and 40 degrees.

[0182] FIG. 59 illustrates the effective face angle of a club head through a range of lie angles for a nominal state (the shaft loft is unchanged), a lofted state (the shaft loft is increased by 1.5 degrees), and a delofted state (the shaft loft is decreased by 1.5 degrees). In the lofted state, the sole portion 4010 was removed and replaced with a sole portion 4010 having a smaller height H to decrease the sole angle of the club head. In the delofted state, the sole portion was removed and replaced with a sole portion 4010 having a greater height H to increase the sole angle of the club head. As shown in FIG. 59, the effective face angle of the club head in the nominal, lofted and delofted state remained substantially constant through a lie angle range of about 40 degrees to about 60 degrees.

Materials

[0183] The components of the head-shaft connection assemblies disclosed in the present specification can be formed from any of various suitable metals, metal alloys, polymers, composites, or various combinations thereof.

[0184] In addition to those noted above, some examples of metals and metal alloys that can be used to form the components of the connection assemblies include, without limitation, carbon steels (e.g., 1020 or 8620 carbon steel), stainless steels (e.g., 304 or 410 stainless steel), PH (precipitation-hardenable) alloys (e.g., 17-4, C450, or C455 alloys), titanium alloys (e.g., 3-2.5, 6-4, SP700, 15-3-3-3, 10-2-3, or other alpha/near alpha, alpha-beta, and beta/near beta titanium alloys), aluminum/aluminum alloys (e.g., 3000 series alloys, 5000 series alloys, 6000 series alloys, such as 6061-T6, and 7000 series alloys, such as 7075), magnesium alloys, copper alloys, and nickel alloys.

[0185] Some examples of composites that can be used to form the components include, without limitation, glass fiber reinforced polymers (GFRP), carbon fiber reinforced polymers (CFRP), metal matrix composites (MMC), ceramic matrix composites (CMC), and natural composites (e.g., wood composites).

[0186] Some examples of polymers that can be used to form the components include, without limitation, thermoplastic materials (e.g., polyethylene, polypropylene, polystyrene, acrylic, PVC, ABS, polycarbonate, polyurethane, polyphenylene oxide (PPO), polyphenylene sulfide (PPS), polyether block amides, nylon, and engineered thermoplastics), thermosetting materials (e.g., polyurethane, epoxy, and polyester), copolymers, and elastomers (e.g., natural or synthetic rubber, EPDM, and Teflon®).

[0187] Whereas the invention has been described in connection with representative embodiments, it will be understood that the invention is not limited to those embodiments. On the contrary, the invention is intended to encompass all modifications, alternatives, and equivalents as may fall within the spirit and scope of the invention, as defined by the appended claims.

We claim:

- 1. A golf club head comprising:
 - a body having a striking face defining a forward end of the club head, the body also having a rear end opposite the forward end; and
 - an adjustable sole portion that is adjustable relative to the body to adjust a sole angle of the club head.
- 2. The golf club head of claim 1, wherein the adjustable sole portion comprises an extensible and retractable extension portion that can extend and retract relative to a bottom surface of the body to adjust the sole angle.
- 3. The golf club head of claim 1, wherein the adjustable sole portion has a rear end and a forward end pivotably connected to the body at a pivot axis, the sole portion being pivotable about the pivot axis to adjust the position of the sole portion relative to the body.
- 4. The golf club head of claim 3, further comprising an adjustment mechanism configured to permit manual adjustment of the position of the sole portion relative to the body.
- 5. The golf club head of claim 4, wherein the adjustment mechanism comprises a set screw extending through the sole portion and into the body, the set screw being adjustable to move the rear end of the sole portion toward and away from the body.
- 6. The golf club head of claim 1, wherein the body of the club head has a lower surface defining a recess and the adjustable sole portion is disposed in the recess.
- 7. The golf club head of claim 1, wherein the adjustable sole portion is removable from the body of the club head and replaceable with another adjustable sole portion that changes the sole angle of the club head.
- 8. The golf club head of claim 1, wherein the body has a lower leading edge surface portion having a curvature extending in a direction from a heel to a toe of the body and the adjustable sole portion has a bottom surface, the bottom surface having a curvature that matches the curvature of the leading edge surface portion in a direction extending from the heel to the toe of the body.
- 9. The golf club head of claim 1, wherein an effective face angle of the club head is substantially constant through a range of lie angles from a scoreline lie angle of the club head to about 20 degrees less than the scoreline lie angle.
- 10. The golf club head of claim 9, wherein the effective face angle varies less than ±0.2 degrees through the range of lie angles.
- 11. The golf club head of claim 9, wherein the effective face angle is determined from the equation:

$$eFA = -\text{atan}\left[\frac{(\sin\Delta lie \cdot \sin GL \cdot \cos MFA) - (\cos\Delta lie \cdot \sin MFA)}{\cos GL \cdot \cos MFA}\right]$$

where Δlie=measured lie angle–scoreline lie angle,
 GL is the grounded loft angle of the club head, and
 MFA is the measured face angle.

- 12. The golf club head of claim 1, wherein the body comprises a hosel defining a hosel opening adapted to receive a removable golf club shaft and the club head further comprising a mechanical fastener configured to secure the shaft to the head without an adhesive.
- 13. A golf club assembly comprising:
 - a golf club head comprising a body having a striking face defining a forward end of the club head, the body also

- having a rear end opposite the forward end, the head further comprising an adjustable sole portion that is adjustable relative to the body to adjust a sole angle of the club head, the body comprising a hosel having a hosel opening;
- a removable shaft;
- a removable sleeve adapted to be received in the hosel opening and having a respective opening adapted to receive a lower end portion of the shaft and support the shaft relative to the club head at a plurality of orientations, wherein the sleeve is adapted to be received in the hosel opening at a plurality of discrete rotational positions with respect to a longitudinal axis of the sleeve, each rotational position of the sleeve corresponding to a different shaft orientation relative to the club head; and
- a mechanical fastener adapted to releasably secure the shaft and the sleeve to the club head.

- 14. The assembly of claim 13, wherein the adjustable sole portion is elongated in a direction from a heel to a toe of the club head, the adjustable sole portion having a length that is less than half the width of the club head along a line that extends through the adjustable sole portion.
- 15. The assembly of claim 13, wherein the body has a lower leading edge surface portion having a curvature extending in a direction from a heel to a toe of the body and the adjustable sole portion has a bottom surface, the bottom surface having a curvature that matches the curvature of the leading edge surface portion in a direction extending from the heel to the toe of the body.
- 16. The assembly of claim 13, wherein the effective face angle of the club head is substantially constant through a range of lie angles from the scoreline lie angle of the club head to about 20 degrees less than the scoreline lie angle.
- 17. A method of adjusting playing characteristics of a golf club having a club head, the method comprising:
 - adjusting the square loft of the club by adjusting the shaft loft of the club; and
 - adjusting the face angle of the club by adjusting the position of a sole portion of the club head relative to a club head body.
- 18. The method of claim 17, wherein the act of adjusting the square loft comprises inserting an adapter sleeve in a hosel opening of the club head, inserting a shaft in an opening in the adapter sleeve, and securing the shaft and the adapter sleeve to the club head, the adapter sleeve being configured to support the shaft at a desired orientation relative to the club head to achieve the desired square loft.

19. The method of claim 17, wherein the club head has a hosel opening and a shaft sleeve of a shaft extends into the hosel opening and supports the shaft at a first predetermined orientation relative to the club head and the act of adjusting the square loft comprises removing the shaft and the shaft sleeve from the club head and inserting another shaft and shaft sleeve into the hosel opening, wherein said another shaft sleeve supports said another shaft at a second predetermined orientation relative to the club head to achieve the desired square loft.

20. The method of claim 17, wherein the act of adjusting the square loft comprises bending a shaft relative to the club head to a desired orientation to achieve the desired square loft.

21. The method of claim 17, wherein the act of adjusting the face angle of the club comprises removing a first sole portion from a bottom portion of the club head body and installing a second sole portion on the bottom portion of the club head body.

* * * * *